

STEINWAY LYNGDORF

SPECIFICATIONS

MODEL LS

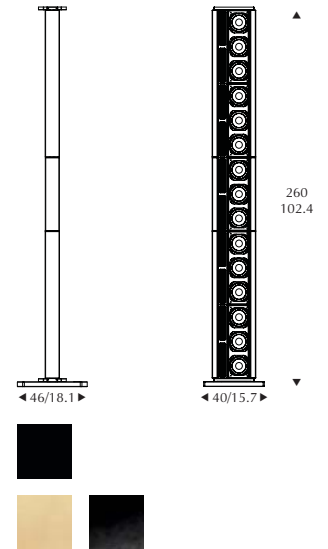
SPECIFICATIONS



Model LS Concert Left / Right

Description	Floor-standing dipole line source speaker
Frequency response	120 - 22k Hz
Max SPL @ 1m	132 dB*
Amplification needed	2 Channels
Dimensions (H x W x D)	260.0 x 40.0 x 46.0 cm 102.4 x 15.7 x 18.1 in
Weight	73.0 kg / 161.0 lbs
Finish	High-gloss black with matte gold or black accents

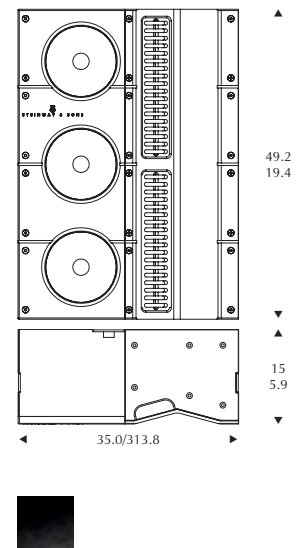
* Equivalent to a conventional point source SPL @ 1m



Model LS Left / Right

Description	In-wall stackable speaker
Frequency response	80 - 22k Hz
Max SPL @ 1m	130 dB*
Amplification needed	2 Channels
Dimensions (H x W x D)	49.2 x 35.0 x 15.0 cm 19.4 x 13.8 x 5.9 in
Weight	18 kg / 39.7 lbs
Comments	Minimum 4 modules
Finish	Matte black

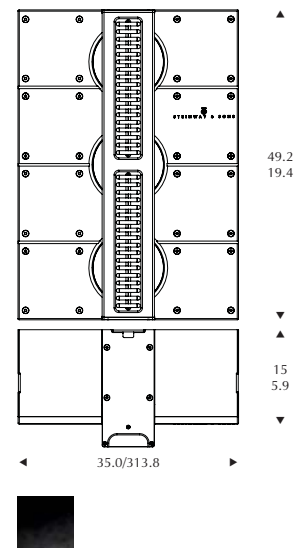
* Equivalent to a conventional point source SPL @ 1m



Model LS Center

Description	In-wall stackable speaker
Frequency response	80 - 22k Hz
Max SPL @ 1m	130 dB*
Amplification needed	2 Channels
Dimensions (H x W x D)	49.2 x 35.0 x 15.0 cm 19.4 x 13.8 x 5.9 in
Weight	18 kg / 39.7 lbs
Comments	Minimum 4 modules
Finish	Matte black

* Equivalent to a conventional point source SPL @ 1m

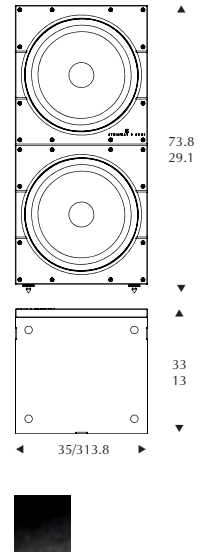


SPECIFICATIONS



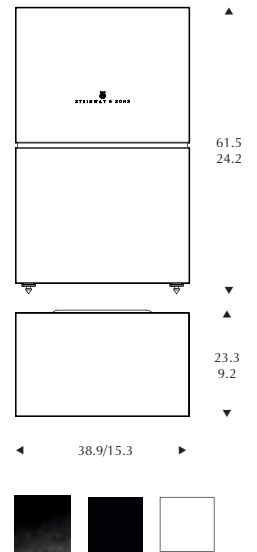
Model LS Boundary Woofer

Description	In-wall stackable Boundary Woofer
Frequency response	20 - 500 Hz
Max SPL @ 1m	117 dB (120 dB Corner)
Amplification needed	1 Channel
Dimensions (H x W x D)	73.8 x 35.0 x 33.0 cm 29.1 x 13.8 x 13 in
Weight	33.5 kg / 73.9 lbs
Finish	Matte black



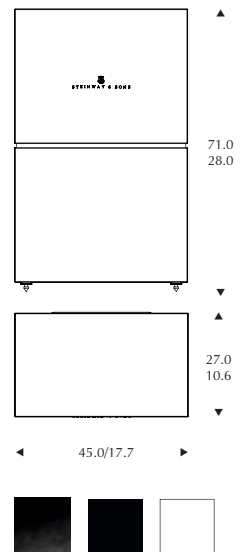
Model LS-R210 Boundary Woofer

Description	In-room stackable Boundary Woofer
Frequency response	25 - 500 Hz
Max SPL @ 1m	114 dB (117 dB Corner)
Amplification needed	1 Channel
Dimensions (H x W x D)	61.5 x 38.9 x 23.3 cm 24.2 x 15.3 x 9.2 in
Finish	Matte black, high-gloss black, high-gloss white.



Model LS-R212 Boundary Woofer

Description	In-room stackable Boundary Woofer
Frequency response	20 - 500 Hz
Max SPL @ 1m	117 dB (120 dB Corner)
Amplification needed	1 Channel
Dimensions (H x W x D)	71.0 x 45.0 x 27.0 cm 28.0 x 17.7 x 10.6 in
Finish	Matte black, high-gloss black, high-gloss white.

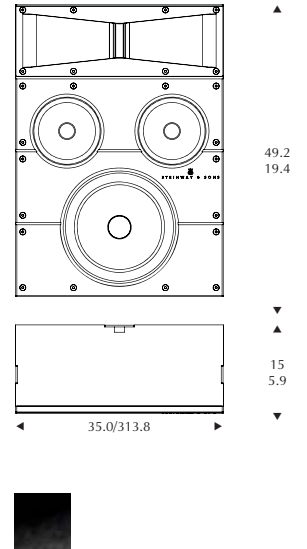


SPECIFICATIONS



Model LS Surround

Description	In-wall dipole speaker
Frequency response	80 - 22k Hz
Max SPL @ 1m	114 dB
Amplification needed	2 Channels
Dimensions (H x W x D)	49.2 x 35.0 x 15.0 cm 19.4 x 13.8 x 5.9 in
Weight	18 kg / 39.7 lbs
Finish	Matte black



Custom Boundary Woofers

For special projects, Steinway Lyngdorf offers custom design services. Through this service, Steinway Lyngdorf offers custom Boundary Woofers to accommodate challenging installations, shallow wall depths, and nonstandard room structures.

More information is available upon request.