



ACOUSTIC & ELECTRICAL SPECIFICATIONS:

- Nominal Impedance 8 Ohms
- Max Amp Power 300 Watts*
- Frequency Response 32Hz - 40kHz
- Sensitivity 89dB (2.83V @ 1 meter)
- Crossover Frequency 750Hz, 8kHz

SYSTEM COMPONENTS:

- Grille 354499-001
- Low-Frequency Transducer 14" (356mm) LE14h-3 Aquaplas-treated (336321-001)
 - DC Resistance 6.0 Ohms ±10%
- High-Frequency Transducer 435 AL 3" (67mm) aluminum-dome (338831-003)
 - DC Resistance 4.1 Ohms ±10%
- Ultrahigh-Frequency Transducer 045Ti Pure-titanium (361016-001)
 - DC Resistance 3.1 Ohms ±10%
- Crossover Network (HF) 360908-001
- Crossover Network (LF) 360908-002

AURAL SWEEP TEST SPECIFICATIONS:

- System Aural Sweep Test 6.0V input 30Hz to 20kHz
- L.F. Aural Sweep Test 5.0V input 30Hz to 1kHz
- M.F. Aural Sweep Test 1.00V input 500Hz to 8kHz
- H.F. Aural Sweep Test 1.00V input 8kHz to 20kHz

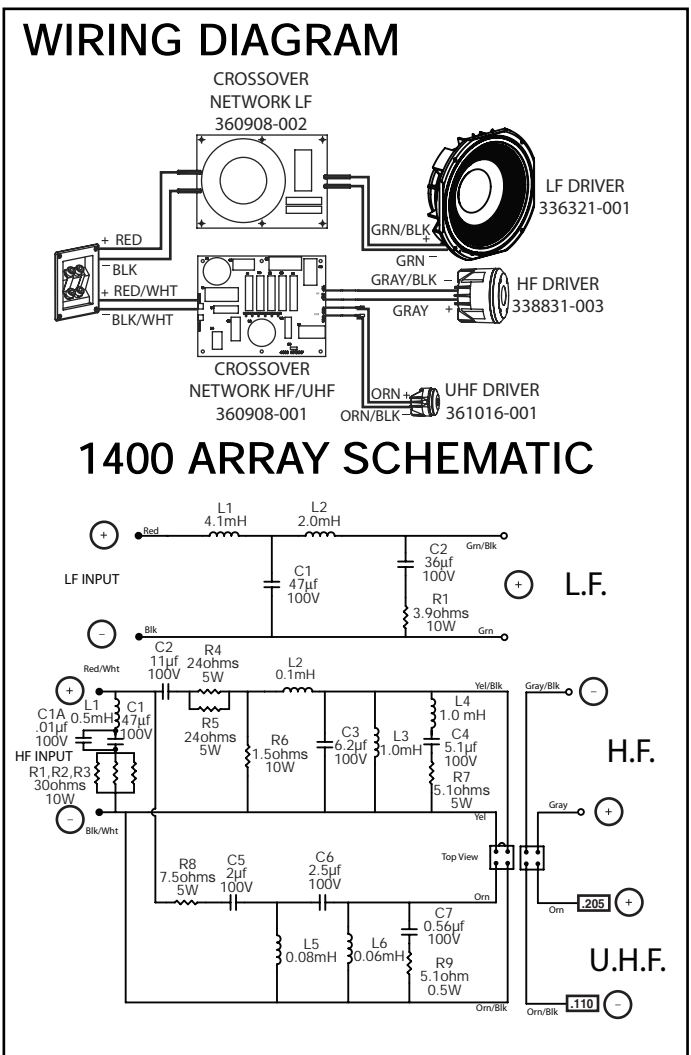
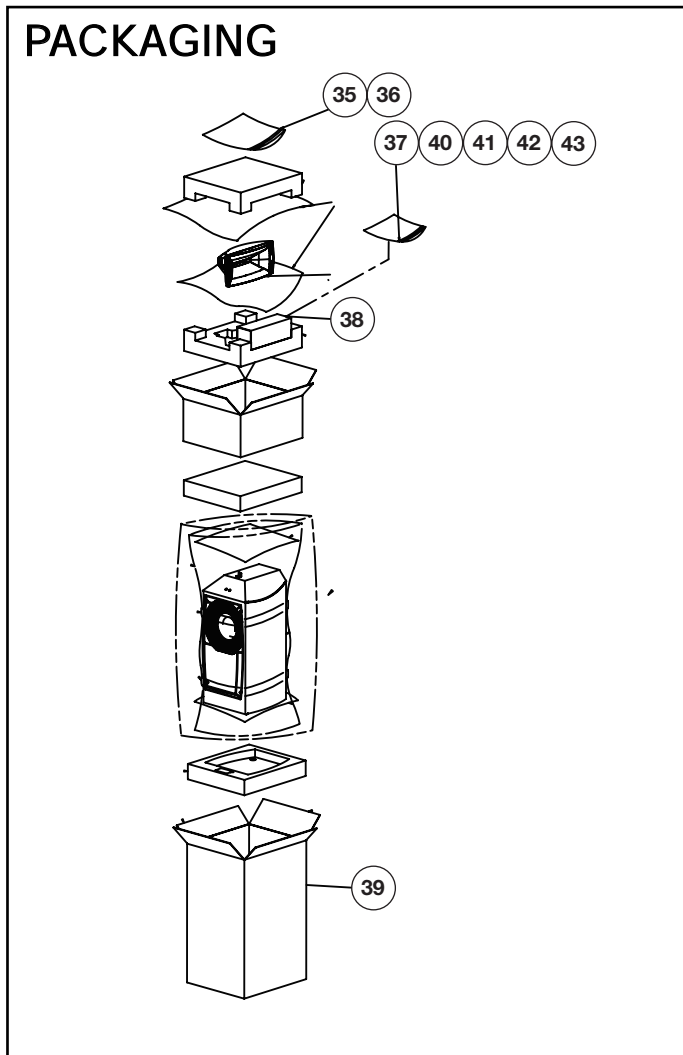
PHYSICAL SPECIFICATIONS:

- Dimensions With Grille: 46-1/2" x 15-1/2" x 19-1/2" (1181mm x 394mm x 483mm) (H x W x D)
- Weight 115 lb/52kg (each)

WARRANTY:

- Refer to Warranty Statement packed with each product.

* The maximum recommended amplifier power rating will ensure proper system headroom to allow for occasional peaks. We do not recommend sustained operation at these maximum power levels.

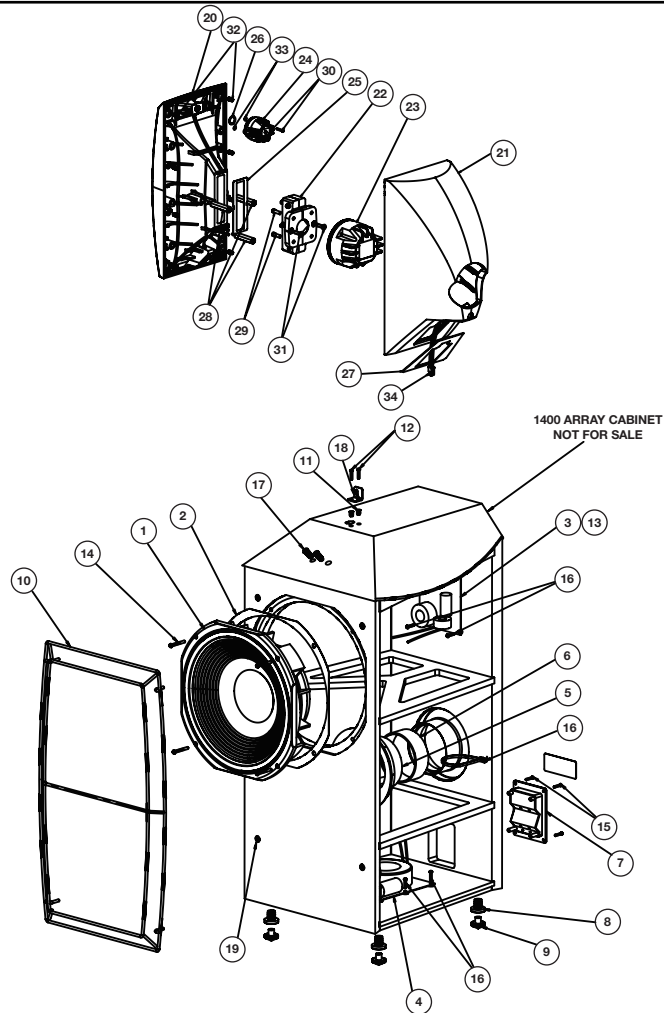


1400 Array Project Array™ Series

1400 Array Project Array™ Series



EXPLODED VIEW



ITEM NO.	PART NO.	DESCRIPTION	QTY.	ITEM NO.	PART NO.	DESCRIPTION	QTY.
1	336321-001	WOOFER ASY LE14H-3	1	22	355098-002	HORN, REAR, -1400 ARRAY	1
2	354680-001	WOOFER GASKET	1	23	338831-003	ASY, HF DRIVER-435AL-1	1
3	360908-001	ASY, XOVER NETWORK, HF-1400 ARRAY	1	24	361016-001	TWEETER, UHF-045TI-1	1
4	360908-002	ASY, XOVER NETWORK, LF-1400 ARRAY	1	25	355100-001	HORN GASKET	1
5	360806-001	PORT TUBE FLANGE	1	26	339976-001	GSKT, UHF-1400 ARRAY	1
6	47909-67	PORT TUBE BODY, CARDBOARD	1	27	361047-001	GSKT, ENCLOSURE	1
7	351441-002	CUP, TERMINAL-ARRAY	1	28	361130-002	STANDOFF, HEX 1/4 x 20, 2.25"	3
8	340805-004	FOOT INSERT	4	29	854-00000-12	BOLT, 1/4-20 x 3/4, HEX, TAP, CLR ZC, LCS MIDRNG/CAB	4
9	340805-005	SPIKE FOOT, BLK.	4	30	802-93056-06	SCREW, 6-32 x 3/8, BTN, HEX, NO FIN, SS TWEETER	2
10	354499-001	FRONT GRILLE, CAB-1400 ARRAY	1	31	806-11010-12	SCREW, 1/4-20 x 3/4 FLT, PH, UNC, ZINC, ALLOY HORN/HORN	2
11	355105-001	HORN ARRAY BRACKET	1	32	337538-001	GRILLE CUPS, PERFORMA	8
12	803-41010-12	SCREW, HORN ARRAY BRCKT, 8-32 x 3/4, PAN, P, BLK ZINC	2	33	338536-001	GSK, WSHR, .3120DX.156	2
13	882-41110-10	SCREW, HF NTRK BOARD, 6 x 5/8, PAN, PH, BLK ZINC	2	34	360908-003	NETWORK WIRE W/PLUG	1
14	804-01110-24	SCREW, WOOFER, 10-32 x 1-1/2", FIL, PH, BLK ZINC	4	35	361041-001	OWNER'S MANUAL, ARRAY SER	1
15	882-51110-12	SCREW, TERM CUP, 6 x 3/4, OV, PH, PTCL, BLK ZC, LCS	4	36	331994-001	WARRANTY, 5-YEAR, JBL	1
16	883-41110-12	SCREW, NETWORK, 8 x 3/4, PAN, PH, PB, BLK ZINC, LCS	11	37	360812-001	JBL LOGO-ARRAY	1
17	350235-001	INSERT, 1/4 x 20, HEX	2	38	361351-001	ALLEN HEAD SCREW DRIVER	1
18	8161207-001	INSERT, 8-32 x 4MM, HXS	2	39	361042-001	OUTER CARTON-1400 ARRAY	1
19	333249-001	GRILLE CUPS	4	40	335352-002	BAFFLE PLUG, RUBBER	1
20	355097-002	HORN, FRNT, 1400 ARRAY	1	41	340805-006	METAL COASTERS, BLK	4
21	355099-002	HORN, REAR, ENCLOSURE-1400 ARRAY	1	42	806-73014-06	BOLT 1/4-20 x 3/8 HEX BLK ZINC	1
				43	875-33011-20	BOLTS 1/4-20 x 1-1/2" HEX BLK ZINC	2

1400 Array Project Array™ Series