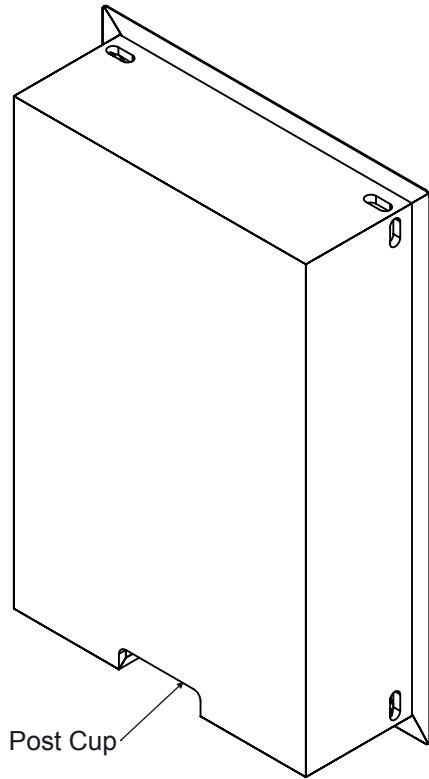
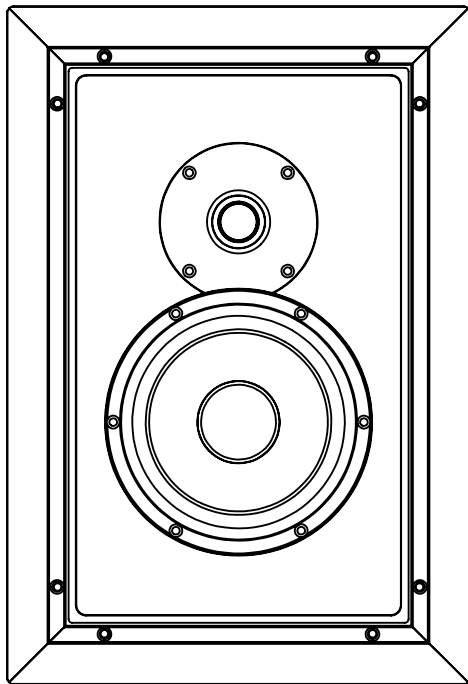


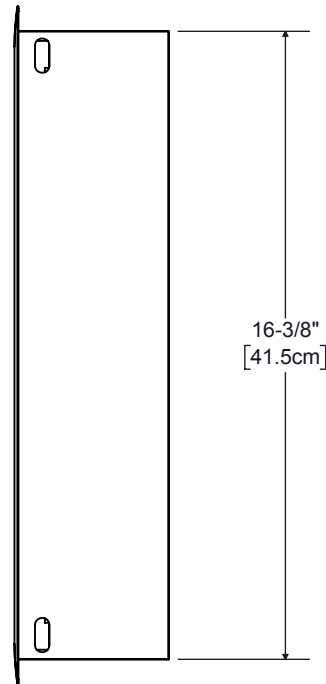
Top View



Binding Post Cup



Front View



Side View (Right)



TRIAD SPEAKERS, INC.
 15835 NE CAMERON BLVD
 PORTLAND, OR 97230
 TEL: 503.256.2600
 FAX: 503.256.5966
 1.800.666.6316

InWall Gold/4 OmniSE

PROPRIETARY AND CONFIDENTIAL: THE INFORMATION CONTAINED IN THIS DRAWING IS THE SOLE PROPERTY OF TRIAD SPEAKERS, INC. ANY REPRODUCTION IN PART OR AS A WHOLE WITHOUT THE WRITTEN PERMISSION OF TRIAD SPEAKERS, INC. IS STRICTLY PROHIBITED.

FRAME SIZE F (OUTER DIMENSIONS)			
	NARROW	WIDE	FRAMELESS
W	11.45in 29.1cm	12.06in 30.6cm	12.22in 31.0cm
H	17.08in 43.4cm	17.69in 44.9cm	17.84in 45.3cm