

4

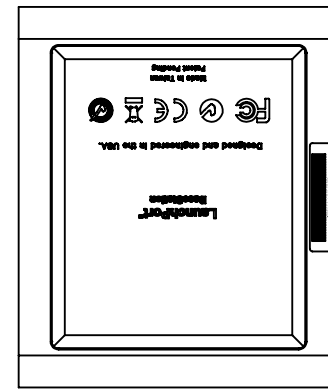
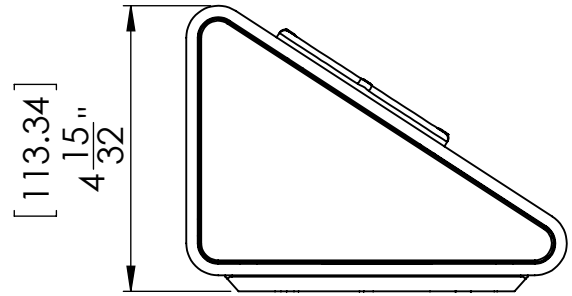
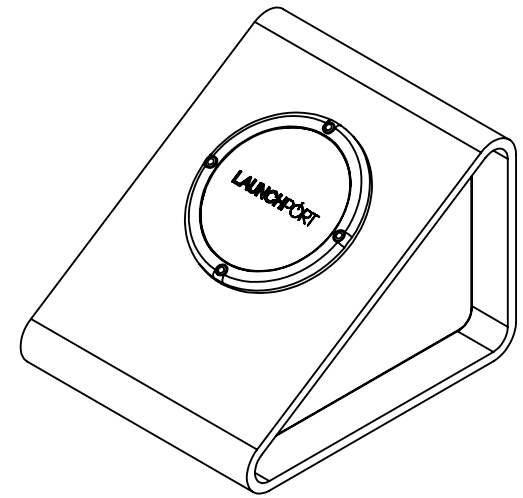
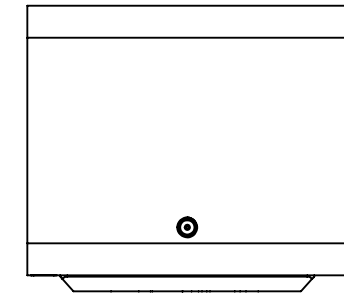
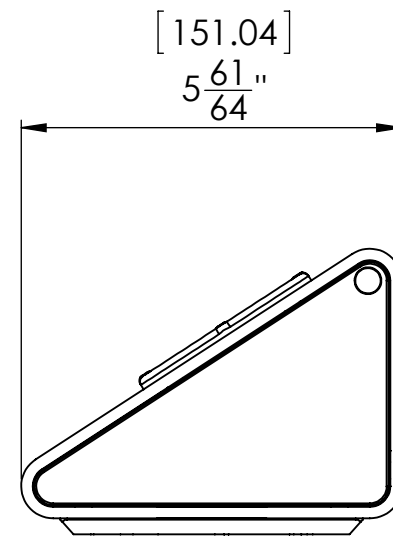
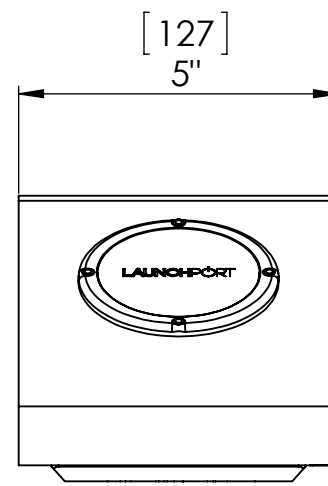
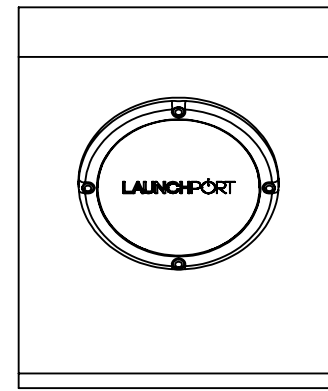
3

2

1

B

B



A

A

METRIC/INCHES		iPort a DANA INNOVATIONS COMPANY	
DESIGNED IN SAN CLEMENTE, CALIFORNIA BY IPORT		NAME <b>LAUNCHPORT BASE STATION</b>	
NOTICE OF PROPRIETARY INFORMATION: THE INFORMATION CONTAINED HEREIN IS THE PROPRIETARY PROPERTY OF DANA INNOVATIONS. THE POSSESSOR AGREES TO THE FOLLOWING: 1. TO MAINTAIN THIS DOCUMENT IN CONFIDENCE 2. NOT TO REPRODUCE OR COPY IT 3. NOT TO REVEAL OR PUBLISH IT IN WHOLE OR IN PART 4. ALL RIGHTS RESERVED			
SIZE	SKU(S)	REV	
<b>B</b>	<b>70141 &amp; 70158</b>	<b>A</b>	
SCALE: 1:3   GW 5.2lbs / NW 4.2lbs   SHEET 1 OF 1			

4

3

2

1