

# SONANCE LANDSCAPE SERIES

## LS48SAT8 TWO-WAY LOUDSPEAKER



### Product Family Overview

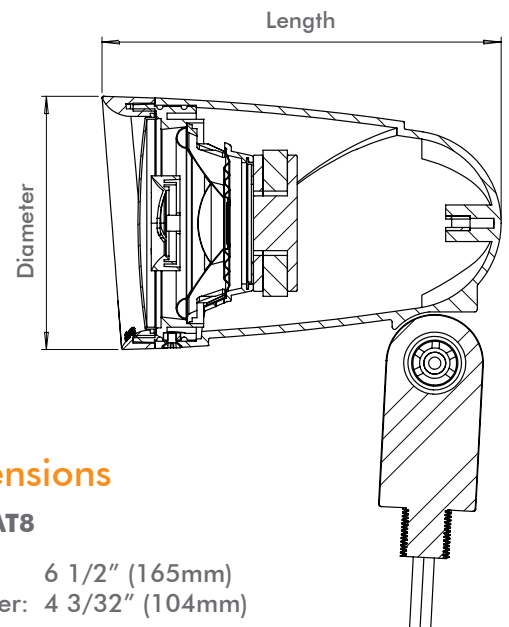
The Sonance Landscape Series has broadened its outdoor solutions with an addition to its satellite offerings. The LS48SAT8 is an 8 ohm satellite that can immerse small backyards, courtyards, or cozy outdoor living spaces, in the smooth and even coverage expected of an SLS System.

The LS48SAT8 has the same, discreet presence that allows the speaker blend into hardscape or softscape areas alike. Paired with Sonance DSP Amplifiers, four satellites and a subwoofer can be tuned to maximize the sound and coverage in any application.



### Features and Benefits

- Designed to be hidden under plants and in trees
- Ultraviolet (UV) resistant composite enclosure
- Color-molded composite construction will not chip, peel or fade over time
- Rust-proof protective grille
- Versatile mounting options from ground stakes to surface and tree mountss



### Dimensions

#### LS48SAT8

Length: 6 1/2" (165mm)  
Diameter: 4 3/32" (104mm)








## SPECIFICATIONS

## LS48SAT8

SKU	93141
UOM	Each
Tweeter	1/2" (13mm) PEI polycarbonate dome
Woofers	3 1/2" (89mm) polypropylene cone with a Santoprene rubber surround
Frequency Response	80Hz - 20kHz ±3dB
Power Handling	40 Watts
Enclosure Material	Non-corrosive sealed enclosure
Listening Area	60° coverage, 0' to 40' recommended
Dimensions (L x Dia.)	6 1/2" x 4 3/32" (165mm x 104mm)
Shipping Weight	2.43 lbs (1.10 kg)

## LS48SAT8 Associated Products

Sonamp DSP 2-150 Amplifier (Each)	93093	
Sonamp DSP 8-130 Amplifier (Each)	93094	
SONARRAY SR1 Subwoofer (Each)	93139	
9" Ground Stake (Each)	92924	
19" Ground Stake (Each)	92925	
Round Surface Mount (Each)	92926	
Tree Surface Mount (Each)	92927	

### LIMITED FIVE (5) YEAR WARRANTY

Sonance warrants to the first end-user purchaser that this Sonance-brand product ("Product"), when purchased from an authorized Sonance Dealer/Distributor, will be free from defective workmanship and materials for the period stated below. Sonance will at its option and expense during the warranty period, either repair the defect or replace the Product with a new or remanufactured Product or a reasonable equivalent. Warranty Period for this Product: Five (5) years from the date on the original sales receipt or invoice or other satisfactory proof of purchase.



©2016 Sonance. All rights reserved.

Sonance, is a registered trademarks of Dana Innovations.

Due to continuous product improvement, all features and specifications are subject to change without notice. For the latest Sonance product specification information visit our website: [www.sonance.com](http://www.sonance.com)

SONANCE • 212 Avenida Fabricante • San Clemente, CA 92672-7531 USA  
(949) 492-7777 • FAX: (949) 361-5151

[www.sonance.com/outdoor/sonance-landscape-series](http://www.sonance.com/outdoor/sonance-landscape-series)