

## 20.3" Modero X<sup>®</sup> Series G5 Panoramic Wall Touch Panel

MXD-2001-PAN-L (FG5968-37) Landscape Wall Mount Touch Panel

MXD-2001-PAN-P (FG5968-36) Portrait Wall Mount Touch Panel



### Overview

The MXD-2001-PAN / 20.3" Modero X<sup>®</sup> Series G5 Wall Mount Touch Panel is a premium user interface that includes the G5 graphics engine and delivers superior performance. Designed for dedicated room control or scheduling, this elegantly-styled touch panel provides fast and smooth animations and transitions, along with a quad-core processor that provides more than enough processing power to run the most demanding applications today and in the future. The MXD-2001-PAN also includes a built-in web browser and document viewers, enabling users to access real-time information during meetings or lectures.

The Modero X Series G5 Touch Panels provide several industry firsts including a beautiful, panoramic capacitive multi-touch screen that provides users access to

**multiple applications with minimal navigation. It is hardware-ready to support Near Field Communication™ (NFC) and High Frequency RFID (HF RFID) devices and tags to enable secure, reliable authentication and allow personalization of the user experience. The distinctive appearance will complement even the most sophisticated meeting facilities and homes, with a variety of mounting options for added security and convenience.**

**Common Applications**

- The MXD-2001-PAN is ideal for boardrooms, conference rooms or auditoriums where a panoramic control surface is needed to provide access to multiple functions simultaneously while remaining elegantly unobtrusive.
- In Higher Education, the MXD-2001-PAN is ideal for lecture halls, auditoriums, performing arts theaters and boardrooms that require extensive control capabilities.
- In residences, it is perfect for main living areas such as kitchens, living rooms, home theaters or home offices where the panoramic control surface can be used to manage systems throughout the house.
- The MXD-2001-PAN can be used as a scheduling panel for high-end meeting rooms and auditoriums.
- All Modero X Series Wall Mount panels are ideal for reception areas or other gathering places where master calendars can be displayed along with streamed information from the web like weather and stock quotes.

**Features**

- **G5 Graphics Engine and Quad Core Processing** – The most powerful processing in the industry delivers smooth gesturing, swiping, dynamic reordering, and enhanced animation with transitions all at higher speeds for an experience any user will enjoy.
- **Simplified Enterprise Touch Panel and Firmware Updates** – Deploy and update touch panel files and firmware files from a network URL for simplified company-wide updates.
- **Built-in Web Browser, Document Viewers and Enzo Sharing** – Conveniently simplifies accessing and presenting real-time content and documents during meetings. Simply preview files accessed via the native web browser, USB, or cloud storage apps before sending content directly to Enzo. An upcoming firmware release will allow apps to be updated or disabled using the onboard G5 App Update Manager.
- **Multitasking with the Panoramic Control Surface** – The panoramic aspect ratio of the Modero X G5 touch panels provides dedicated space to perform multiple activities at once.
- **Latest Communication Technologies** – Supports HD video conferencing leveraging the integrated camera, along with HD video streaming. Also supports NFC (Near Field Communication) and High Frequency RFID (HF RFID) for authentication and security, Bluetooth devices, and USB connectivity.
- **Adjustable Security Modes** – With the ability to select from high security or custom modes, administrators can customize the panel’s security levels for access, networking and communication.
- **Perfect From Any Angle** – Includes In-Plane Switching (IPS), which delivers the widest viewing angles and the most accurate color reproduction on the market.
- **Generous Mounting Options** – In addition to wall mount, you can mount the 20.3" Modero X Series Landscape Wall/Flush Mount Touch Panel directly to an equipment rack using the optional MXA-RMK-20 Modero X Series Rack Mount Kit (FG5969-60).
- **View and Select Dynamic Data with Listview Buttons** – Display a listing of entries generated by a dynamic data source (e.g. phonebook contacts, call logs, RSS feed or other real time data sources) enabling the user to scroll or search to make a selection. Demos are available in the UI Resource Center.

**Specifications**

TOUCH SCREEN DISPLAY	
Display Type	TFT Active Matrix Color LCD with In-plane Switching Technology (IPS)
Display Size (WH)	Landscape: 20.4" x 9.5" (519 mm x 242 mm) Portrait: 9.5" x 20.4" (242 mm x 519 mm) 21.3" (541 mm) diagonal
Viewable Area (WH)	Landscape: 18.7" x 7.8" (475 mm x 198 mm) Portrait: 7.8" x 18.7" (198 mm x 475 mm)

	20.3" (514 mm) diagonal
Resolution (WH)	Landscape: 1920x800 Portrait: 800x1920
Aspect Ratio (WH)	Landscape: 12:5 Portrait: 5:12
Brightness	250 cd/m2
Contrast Ratio	1000:1
Color Depth	16.7M colors
Illumination	LED
Touch Overlay	Projected capacitive, multi-touch support, 3 simultaneous max
Viewing Angle	Vertical $\pm 89^\circ$ , Horizontal $\pm 89^\circ$

<b>MEMORY</b>	
SDRAM	2 GB
Flash	16 GB
Maximum Project Size	12 GB flash, available for apps and touch panel files

<b>COMMUNICATIONS</b>	
ETHERNET	10/100 Auto MDI-X port, RJ-45 connector. Supported IP and IP-Based Protocols: UCP, TCP, ICMP, ICSP, IGMP, DHCP, SSH, FTP, DNS, RFB (for VNC), HTTP
USB	(2) USB host 2.0, Type A ports (1 with limited physical access requiring right angle connection): Firmware upgrade, Touch Panel File Transfer, document and image viewing, HID Peripherals
Near Field Communication (NFC) and High Frequency RFID (HF RFID)	Supports standards ISO/IEC 15693, ISO/IEC 14443A, ISO/IEC 14443B; Unique Identifier (UID), typ range = .25", max = .5"
Bluetooth	Mouse/Keyboard: HID Profile v1.1, requires MXA-BT Bluetooth Adapter (FG5968-19)

<b>VIDEO</b>	
Supported Video Codecs, Landscape Model	MPEG-2-TS: MPEG-2 Main Profile @ High Level up to 720p at 25 fps (decode only)  MPEG-2-TS: H.264 High Profile @ Layer 4, AAC-LC up to 720p at 25 fps (encode/decode)  MJPEG up to 720p at 25 fps (decode only)
Supported Video Transport Streams	MPEG-TS for MPEG-2 and H.264; HTTP for MJPEG
Max Number of Active Video Streams	Two decode plus one encode
Video Conferencing	Skype

<b>AUDIO</b>	
Microphone	-42dB +- 3dB sensitivity FET microphone
Speakers	4 ohm, 2 Watt, 300 Hz cutoff frequency
Supported Audio Codecs	MP2 Layer I and II, MP3 (8 kHz, 11.025 kHz, 12 kHz, 16 kHz, 22.05 kHz, 24 kHz, 32 kHz, 44.1 kHz, 48 kHz) AAC-LC (8 kHz, 96 kHz) G.711 with $\mu$ Law (VoIP encode/decode at 8kHz)
File Formats	WAV, MP3 (as part of touch panel file only - no USB storage)
Intercom	Full Duplex VoIP, SIP v2.0

GRAPHICS ENGINE	
AMX G5	G5 enhanced feature set supporting multi-touch and gestures, scrolling, transitions, applications - See TPD5 Operations Guide for more information

EMBEDDED APPLICATIONS	
Viewer Applications	PDF, JPEG, BMP, PNG, TIFF, GIF, PowerPoint, .doc, .docx, .xls, .xlsx, .ppt, .pptx
Remote Management	VNC Server
Video Conferencing	Skype
Audio Conferencing	Audio (full duplex intercom)

FRONT PANEL COMPONENTS	
Light Sensor	Photosensitive light detector for automatic adjustment of the panel brightness
Proximity Detector	Max range = ~3', typ range = ~1', FOV = ~10 degrees
Camera	HD 720p camera for video conferencing/video chat support
LED Indicator	Camera active indicator
Sleep Button	Sleep button to activate sleep mode and powering off. Also provides access to setup pages (can be disabled)

CONNECTIONS	
Ethernet	10/100 Auto MDI-X port, RJ-45 connector
USB	(2) USB host 2.0, Type A ports (1) Micro-USB device port (currently not in use)
Power	2-pin, locking 3.5mm Phoenix connector

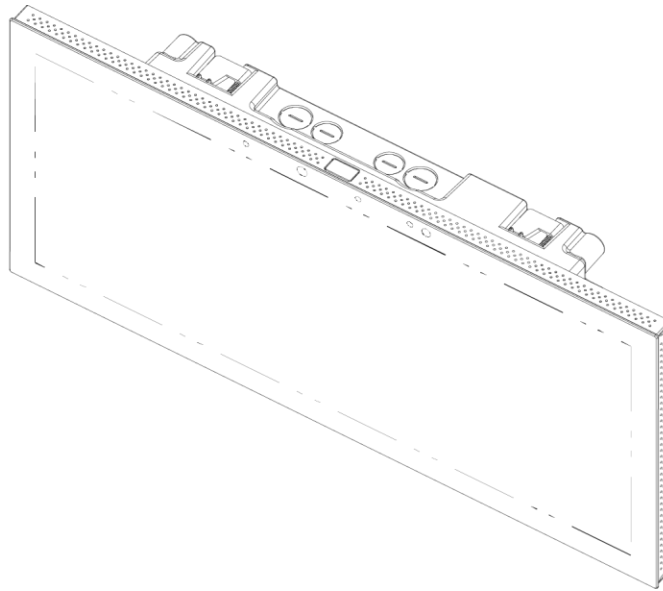
ENVIRONMENTAL	
Temperature (Operating)	32° F to 104° F (0° C to 40° C)
Temperature (Storage)	4° F to 140° F (-20° C to 60° C)
Humidity (Operating)	20% to 85% RH
Humidity (Storage)	5% to 85% RH
Power ("Heat") Dissipation	On: 119.4 BTU/hr Standby: 23.9 BTU/hr

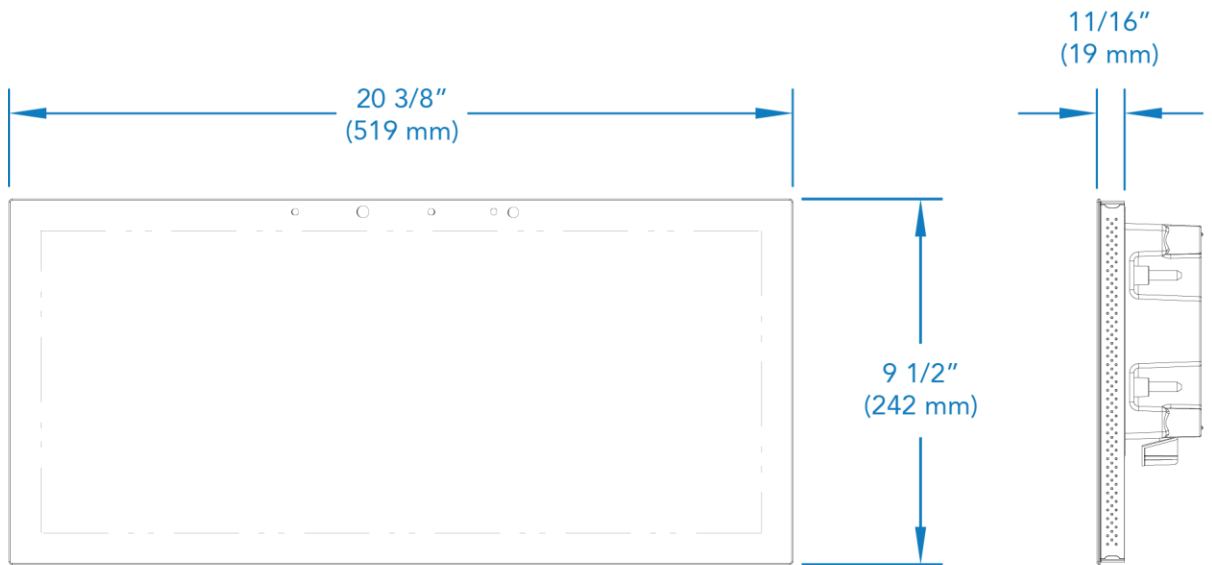
GENERAL	
Dimensions (HWD)	Landscape: 9 1/2" x 20 3/8" x 11/16" (242 mm x 519 mm x 19 mm), Portrait: 20 3/8" x 9 1/2" x 11/16" (519 mm x 242 mm x 19 mm)
Weight	9.0 lbs (4.08 Kg)
Power Consumption	Full-On: 35 W (13.5 VDC, 2.9 A) Standby: 7 W (13.5 VDC, 0.6 A)
External Power Supply Required	Requires one of these AMX power sources (not included): <ul style="list-style-type: none"> <li>• PSR4.4 Power Supply, 13.5 VDC, 4.5 A Power Supply with 3.5 mm Phoenix Connector with Retention Screws (FG423-46)</li> <li>• MXA-MPL Modero X/S Series Multi Preview Live (FG5968-10)</li> <li>• MXA-MP Modero X/S Series Multi Preview (FG5968-20)</li> </ul>

Regulatory Compliance	<p>FCC Part 15 Class B  C-Tick CISPR 22 Class B  CE EN 55022 Class B and EN 55024  CB Scheme IEC 60950-1  IC  IEC/EN-60950  UL 60950-1  RoHS/WEEE compliant</p>
Included Accessories	<ul style="list-style-type: none"> <li>• Locking 2-pin Phoenix mate (41-0002-SA)</li> <li>• MXA-USB-C, USB Port Cover Kit, Modero X/S Series Touch Panel (FG5968-18)</li> <li>• MXA-CLK, Modero X/S Series Cleaning Kit (FG5968-16)</li> <li>• Wall Template 20"</li> </ul>
Optional Accessories	<ul style="list-style-type: none"> <li>• MXA-RMK-20 Modero X Series Rack Mount Kit (FG5969-60)</li> <li>• MXA-FMK-20 Flush Mount Kit for 20.3" Modero X Series Wall Mount Touch Panels (FG5968-68)</li> <li>• MXA-MP, Modero X/S Series Multi Preview (FG5968-20)</li> <li>• MXA-MPL, Modero X/S Series Multi Preview Live (FG5968-10)</li> <li>• PSR4.4, 13.5 VDC, 4.5 A Power Supply with 3.5 mm Phoenix Connector with Retention Screws (FG423-46)</li> <li>• CB-MXP19/20, Rough-In Box, Modero X Series Touch Panel, Panoramic 19/20 (FG039-15)</li> <li>• MXA-BT Bluetooth USB Adapter for Modero X/S Series (FG5968-19)</li> <li>• MXA-CLK, Modero X/S Series Cleaning Kit (FG5968-16)</li> <li>• MXA-USB-C, USB Port Covers for the Modero X/S Series Touch Panels (FG5968-18)</li> </ul>

For a more detailed pictorial drawing please visit: <http://www.amx.com/products/MXD-2001-PAN.asp>



MXD-2001-PAN  
(Isometric View)



MXD-2001-PAN  
(Front View)

MXD-2001-PAN  
(Right View)

**About AMX by HARMAN**

Founded in 1982 and acquired by HARMAN in 2014, AMX® is dedicated to providing AV solutions for an IT World. AMX solves the complexity of managing technology with reliable, consistent and scalable systems comprising control, video switching and distribution, digital signage and technology management. AMX systems are deployed worldwide in conference rooms, classrooms, network operation/command centers, homes, hotels, entertainment venues and broadcast facilities, among others. AMX is part of the HARMAN Professional Group, the only total audio, video, lighting, and control vendor in the professional AV market. HARMAN designs, manufactures and markets premier audio, video, infotainment and integrated control solutions for the automotive, consumer and professional markets. Revised 8.30.16. ©2016 Harman. All rights reserved. Specifications subject to change.

[www.amx.com](http://www.amx.com) | +1.469.624.7400 | 800.222.0193