

# INSTALLATION INSTRUCTIONS

## SONANCE LANDSCAPE SERIES 1 9 " GROUND POST FOR LS68SAT



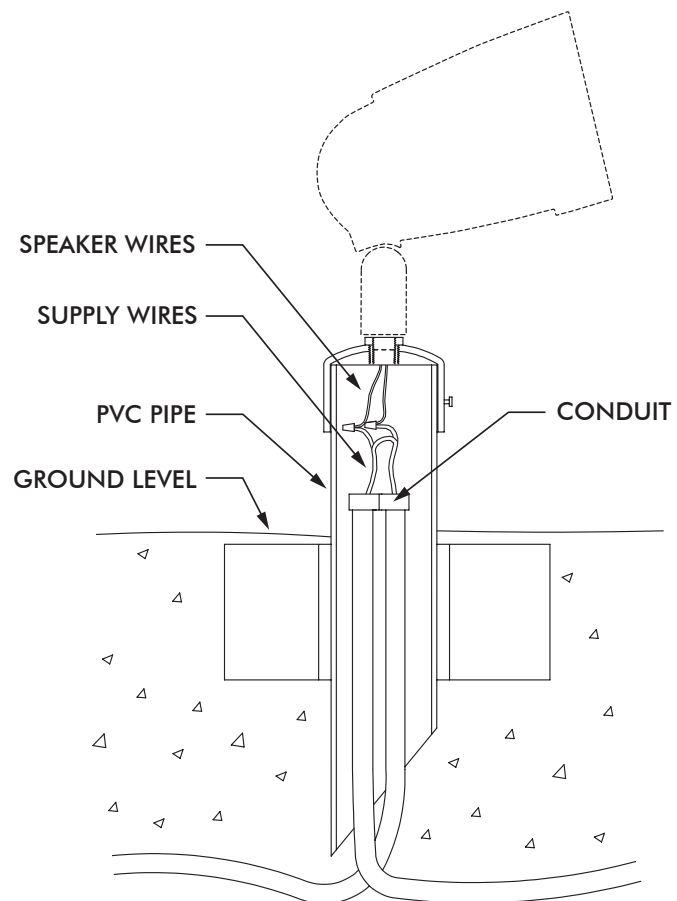
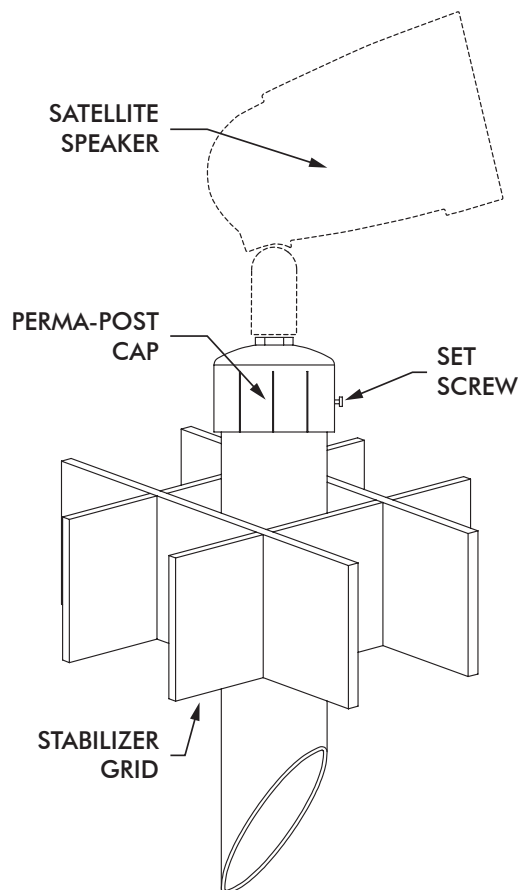
### READ THESE INSTRUCTIONS CAREFULLY BEFORE INSTALLING THIS POST

This post is intended for installation in accordance with the National Electrical Code and local code specifications. Failure to adhere to these codes and instructions may result in serious injury and/or damage to the post and will void the warranty. These instructions cover most installation applications. For any special applications not covered, please contact Sonance for assistance.

### INSTALLATION INSTRUCTIONS

1. Excavate for the conduit runs and the Perma-post.
2. Install the conduit.

3. Slide the stabilizer grid onto the PVC pipe as shown in the illustration and secure with the two short screws supplied. Discard the long screw.
4. Place the post over the conduit and speaker supply wires as shown in the illustration.
5. Backfill against mounting post.
6. Install the speaker onto the cap.
7. Pull the speaker supply wires through the conduit.\*  
\*Conduit is not always required.
8. Connect supply wires to satellite speaker wires with wire nuts.
9. Install the fixture and cap onto the top of the post and tighten the set screw.



©2015 Sonance. All rights reserved. Sonance is a registered trademark of Dana Innovations. Due to continuous product improvement, all features and specifications are subject to change without notice. For the latest Sonance product specification information visit our website: [www.sonance.com](http://www.sonance.com)

SONANCE • 212 Avenida Fabricante • San Clemente, CA 92672-7531 USA  
(949) 492-7777 • FAX: (949) 361-5151 • Technical Support: (949) 492-7777