



# Installation instructions

## iRoom's iDock Portrait



iPad® Docking Station

Please read these operating instructions and adhere to the content and recommendations they contain before installing, starting up and operating the iRoom iDock Portrait.

## List of contents

		Connections	S. 5
The iDock backbox	S. 2	Specifications	S. 6 – 7
Scope of delivery	S. 3	Setting options	S. 8 – 9
Important information	S. 3	Important information	S. 9
Mounting	S. 3	Notes	S. 10
Important components	S. 4	Guarantee	S. 11

## The iDock backbox

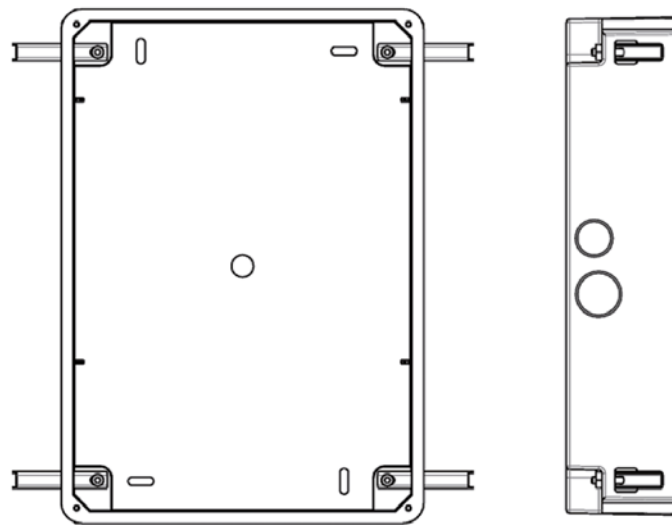
### General information

During installation it is important to ensure the backbox has not been mis-shapen in any way! Excess blobs of cements and fillers must be removed to reduce the risk of deformation. The protective box must remain in the recess housing during installation to minimize deformation.

### Description of function

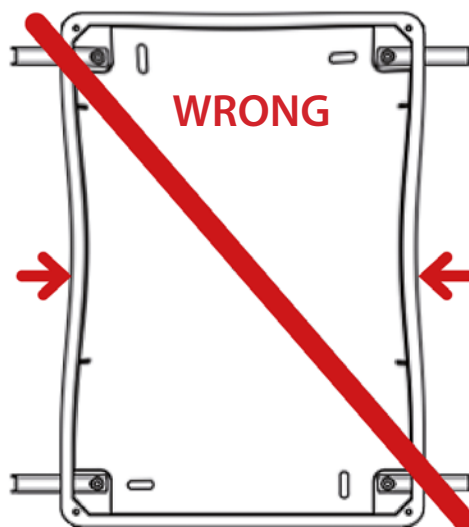
The iRoom iDock may only be used in connection with this backbox! Starting and operating the device without this backbox shall lead to loss of guarantee rights. Use for purposes not intended by the manufacturer is forbidden.

### Detailed diagram:



Recess dimensions : W/H/D 205.0 / 295.0 / 65.0 mm - 8.1" / 11.69" / 2.6"

Outer dimensions – backbox : W/H/D 214.13 / 305.0 / 65.0 mm - 8.3" / 12.0" / 2.6"



## Scope of delivery

iRoom's iDock Portrait (1x) • cover (1x) • adhesive base for cable tie (1x) • cable tie (1x) • operating instructions (1x) • mounting instructions (1x) • M3 x 20 mounting screws (4x) • M3 x 45 mounting screws (4x). Recommended accessories: iRoom iDock backbox

## Important information

All connection and installation work must be conducted by certified electricians in compliance with the general rules and directives for electrical installations.

The iRoom iDock Portrait has a smooth and shiny surface which is prone to scratches. Handle with care to avoid damage. Do not clean with liquids or fluids. We recommend wearing soft cotton wool gloves during installation.

### Select a suitable place to mount the device

- Do not mount or use the iRoom iDock Portrait in wet or moist environments.
- The place chosen to mount the device must provide enough recess depth to allow use of the backbox and the entry of the leads.
- Mount the device in a place that enables reception of a suitably strong Wi-Fi signal so that the iPad™ can also be used when it is docked.

## Mounting

NB: The backbox is not included in the scope of delivery and must be purchased separately. The backbox has four break-through outlets for leads (2 x 25mm / 2 x 20 mm) and four mounting clips to be fixed with Phillips screws (PH1). The device can be fitted into existing walls.

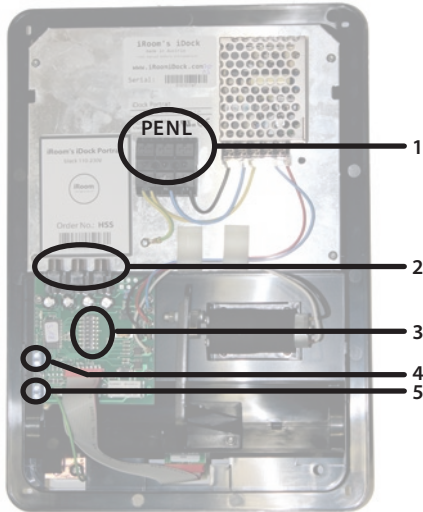
If the backbox has already been installed, please continue from point 8.

1. Prepare a recess in the wall (W/H/D: 205.00 / 295.00 / 65.00 mm)
2. Break through the pre-prepared hole for the leads.
3. Feed in the power leads through the hole in the back box from above [!]. Use a suitable cable grip sleeve.
4. Place the backbox in the recess. Make sure you do not damage the power lead. Fix the recess box 'flush' to the wall using the mounting clips. Do not deform the backbox.
5. Cut some small thread gaps in the safety strips that cover the recess spaces for the mounting clips. Do not remove the safety strips! Feed the mounting clips into the recesses and screw them tight.
6. Prepare the power supply lead for connection to the pre-mounted adaptor.
7. Reduce the length of the lead to avoid mechanical blockages due to too many wires and cables. Fix the position of the power lead with the adhesive base and a cable tie.
8. Attach the power lead to pre-mounted adaptor (electrical wire connector - L/N/GROUND).
9. Push the iRoom iDock Portrait into the backbox. Make sure you do not damage the power lead and that the mechanisms are not inhibited by the power lead.
10. Attach the power supply lead using the clamp provided and reduce the strain on the lead using the clamp block.
11. Use the four M3x20 screws to mount the iRoom iDock Portrait in backbox.
12. Unpack the cover plate. (Take care: High gloss finish!)
13. Remove the protective foil from the double-sided adhesive tape, and remove the protective foil on the front of the cover plate!
14. Attach the cover plate to the frame of the iDock Portrait.
15. Switch on the mains power supply.
16. For information on how to operate the device correctly, please read the operating instructions.

# Important components

## Model Portrait 230V / 110V

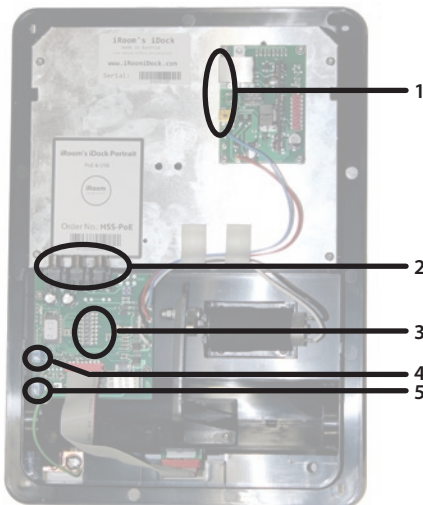
Pic 1



- 1. Electrical wire connector for power supply**
- 2. Audio output socket (red, white):** Frequency range: 20 Hz to 20,000 Hz, full volume. The sound is transferred from the iPad™ to the audio sockets. The video output (yellow) is not activated!
- 3. 8-input DIP switch**
- 4. Electrical wire connectors for external potential-free contact:** An external key switch or a similar application can be connected here.
- 5. Relay output:** The relay output closes when the iPad™ is in its recharging position. If there is no iPad™ in the Dock, the contact remains open. One application for hotels is that the front desk can identify whether an iPad™ is in the Dock or not. Technical details: relay contact potential-free. Voltage: max. 250V/AC or 30V/DC. Current: max. 8A

## Model Portrait PoE

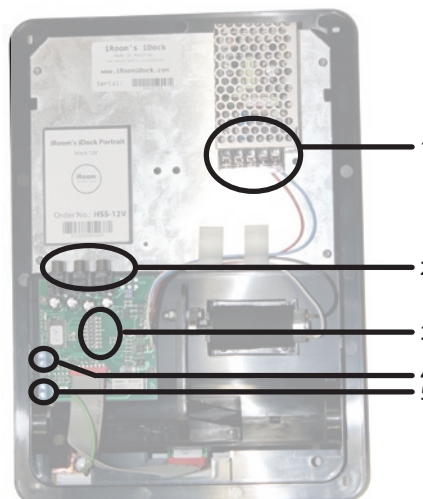
Pic 2



- 1. Mini USB & RJ45 PoE connection**
- 2. Audio output socket (red, white):** Frequency range: 20 Hz to 20,000 Hz, full volume. The sound is transferred from the iPad™ to the audio sockets. The video output (yellow) is not activated!
- 3. 8-input DIP switch**
- 4. Electrical wire connectors for external potential-free contact:** An external key switch or a similar application can be connected here.
- 5. Relay output:** The relay output closes when the iPad™ is in its recharging position. If there is no iPad™ in the Dock, the contact remains open. One application for hotels is that the front desk can identify whether an iPad™ is in the Dock or not. Technical details: relay contact potential-free. Voltage: max. 250V/AC or 30V/DC. Current: max. 8A

## Model Portrait 12V

Pic 3

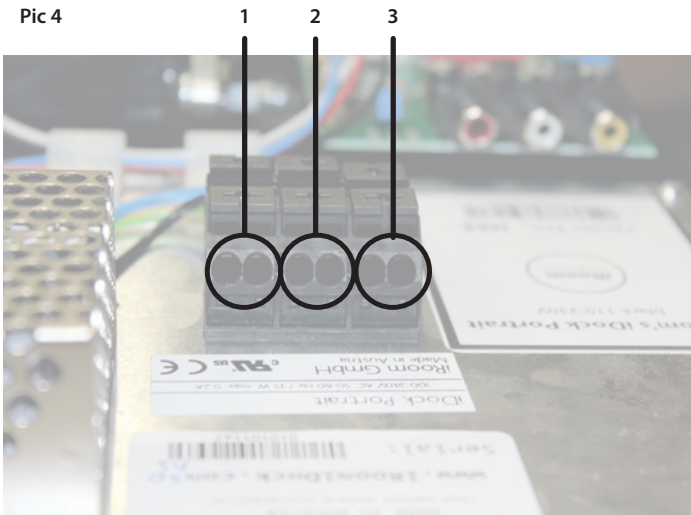


- 1. 12V adaptor to connect mains power**
- 2. Audio output socket (red, white):** Frequency range: 20 Hz to 20,000 Hz, full volume. The sound is transferred from the iPad™ to the audio sockets. The video output (yellow) is not activated!
- 3. 8-input DIP switch**
- 4. Electrical wire connectors for external potential-free contact:** An external key switch or a similar application can be connected here.
- 5. Relay output:** The relay output closes when the iPad™ is in its recharging position. If there is no iPad™ in the Dock, the contact remains open. One application for hotels is that the front desk can identify whether an iPad™ is in the Dock or not. Technical details: relay contact potential-free. Voltage: max. 250V/AC or 30V/DC. Current: max. 8A

# Connections

## 230V / 110V electrical wire connector

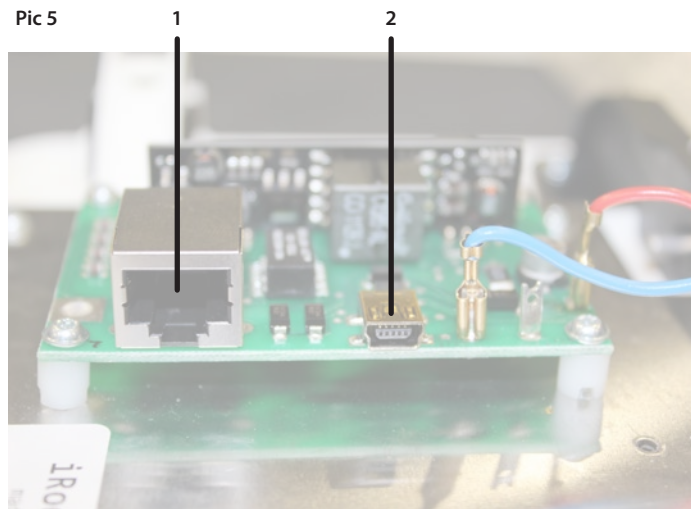
Pic 4



1. Live
2. Neutral
3. Earth

## PoE & USB Module

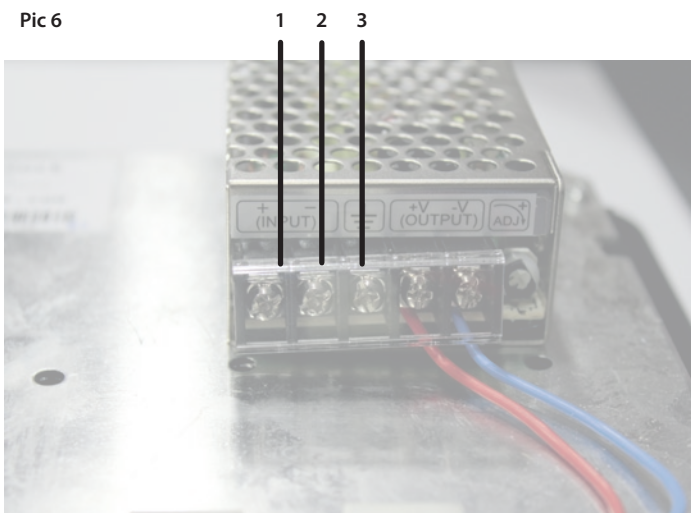
Pic 5



1. RJ45 PoE connection to the connection for mains voltage power supply compliant with PoE standard IEEE 802.3af. This connection is for power supply only. The PoE connection cannot be used to transfer data!
2. Mini USB connection This connection is for power supply only. The USB interface cannot be used to transfer data!

## 12V Power supply

Pic 6



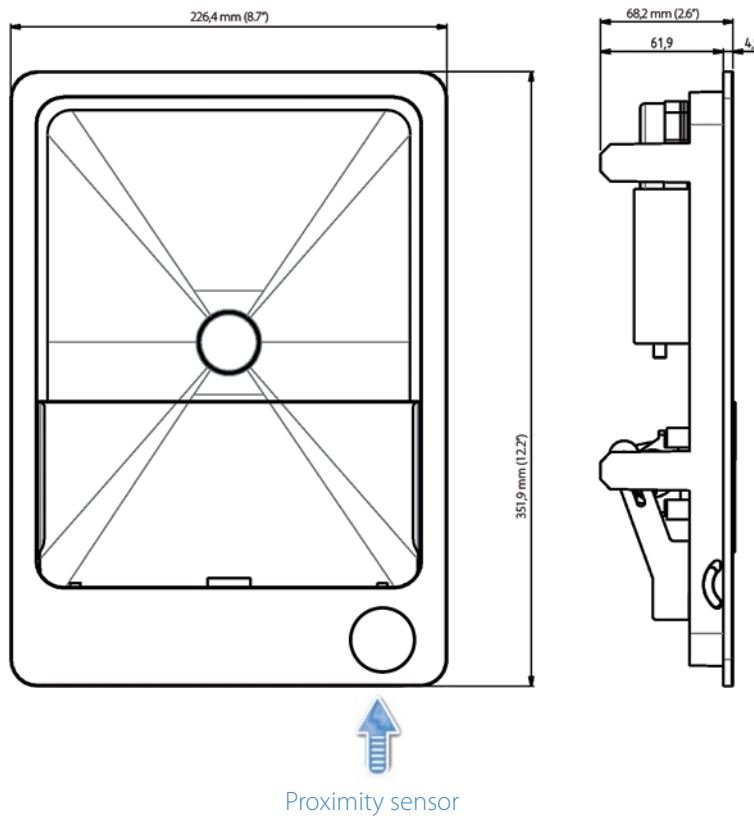
1. Plus 12 V electrical wire connector
2. Minus 12V electrical wire connector
3. Earth connection

# Specifications

## General specifications

Dimensions iDock Portrait (W/H/D) .....	226,4 / 351,9 / 68,2 mm .....	8.7" / 12.2" / 2.6"
Dimensions backbox (W/H/D).....	214,13 / 305,0 / 65,0 mm .....	8.3" / 12" / 2.6"
Dimensions recess for backbox (W/H/D).....	205,0 / 295,0 / 65,0 mm .....	8.1" / 11.6" / 2.6"
Power requirements .....	Dependent on model	
Outputs.....	Composite-Audio / RCA	
Operating and storage conditions .....	0°C – 35°C; 20% – 95% RH no condensation	
Touch Sensor.....	capacitive proximity sensor	
External contact .....	Yes (deactivated on despatch)	
Secure-open function .....	Yes (can be deactivated via DIP switch for voltage jumps, drops and cut-offs)	
Position installed.....	vertical – max. angle of inclination: +/- 25° in all directions Horizontal table integration possible. max. angle of inclination:	

Pic 7



## Specifications & connection model with 230V / 110V power supply

Power supply.....240V / 110V AC, 50-60 Hz / 15 W

The device can be connected up via the electrical wire connector socket in pic.4 or directly using the adaptor. The device must be connected up in compliance with the respectively valid legal norms.

Switched off with the iPad power completely run down, recharging takes approximately 7 hours.

Function	Labelling	European colour code according to IEC	UK colour code according to IEC	UK colour code old	US colour code according to National Electrical Code	Canadian colour code according to CEC
Earth	PE or earth symbol	Green/yellow	Green/yellow	Green/yellow	Green or green/yellow	Green or green/yellow
Neutral conductor	N	Blue	Blue	Black	White	White
Live wire	L	Brown	Brown	Red	Black or red	Black or red

## Specifications & connection model with 12V power supply

Power supply.....9,2 to 18V DC; 2A

The device is connected to the power supply via the adaptor (pic.6). It is imperative that the adaptor is earthed; otherwise the iDocks will not work!!! The device must be connected up in compliance with the respectively valid legal norms.

Switched off with the iPad power completely run down, recharging takes approximately 7 hours.

Function	Labelling	European colour code	UK colour code old	US colour code according to National Electrical Code
Earth	Pe or earth symbol	Green/yellow	Green/yellow	Green or green/yellow
Negative -	Input -	Black or blue	Black	Black
Positive +	Input +	Red	Red	Red

## Specifications & connection model with PoE and USB power supply

Power supply PoE.....48V; 15.4W PoE standard compliant with IEEE 802.3af

Power supply USB.....5V DC; 15W USB standard compliant with USB 2.0

### PoE

The device is connected via a RJ45 socket (pic.5) with a patch cable. Power supply is provided via a typical commercially available PoE switch or PoE injector.

Switched off with the iPad power completely run down, recharging takes approximately 9 hours.

### USB

Connection is made using a Mini USB socket (pic.5) via a USB cable. Power is supplied via the Apple 15W adaptor. Only premium quality USB cables with a maximum length of 1.5m may be used. iDock functionality cannot be guaranteed if longer or inferior quality cables and leads are used!

Switched off with the iPad power completely run down, recharging takes approximately 10 hours.

## Setting options

The DIP switch enables the iRoom iDock to be easily adapted to the desired purpose. Simply make sure the individual switches on the DIP switch are in the correct position. DIPs 1 to 7 are delivered in the original deactivated (OFF) position, DIP 8 is ON.



**Pic.8: Standard position of the DIP switch on delivery**

DIP Switch Number and Name	Off	On
DIP 1: Open without iPad	When an external contact has been connected up to open the iDock the proximity sensor is deactivated (normal operation). Only works when DIP 8 is ON!	When an external contact has been connected up to open the iDock, the iDock can still be opened via the proximity sensor without an iPad. If an iPad has been docked on, the iDock can only be opened via the external contact. Only works when DIP 8 is ON!
DIP 2: Open at power on	The iDock opens automatically when connecting up to the power supply (= normal operation).	When connecting up to the power supply there is no change (i.e. when the supply of power is operated via an access card).
DIP 3: Open at power off	If there is a power failure the iDock opens up automatically to allow the iPad to be used/removed (= normal operation).	If there is a power failure the iDock remains closed (i.e. if the iDock is located in a public place).
DIP 4: Table version	After being opened the iDock closes automatically after 10 seconds (= normal operation).	The iDock remains open and can only be closed by triggering the proximity sensor (i.e. when built into a table to guarantee an angled view).
DIP 5: Cover plate	Sensor sensitivity and algorithms are set for use with the plastic cover plate. Please leave the settings when using the Dock with the plastic cover plate.	Sensor sensitivity and algorithms can be set for use with the aluminium cover plate. Please set when using the Dock with the aluminium cover plate.
DIP 6: Demo mode	The iDock can be opened and closed via a proximity sensor (= normal operation).	The iDock automatically opens and closes continuously (i.e. exhibitions and showrooms).
DIP 7: Audio function	The audio signal is transmitted through the loudspeaker of the iPad and not via the sockets	The iPad audio signal is transmitted via the audio output.
DIP 8: External contact	If an external enabling contact has been activated (i.e. fingerprint scanner, external switch etc.), it can be used for opening and closing the iDock.	The external contact is deactivated. The iDock operates using the built-in proximity sensor (= normal operation).



## Important information

### Protection against theft

iRoom's iDock DOES NOT PROVIDE ANY PROTECTION against theft. Unauthorized forceful removal of an iPad™ cannot be prevented. iRoom GmbH shall accept no liability whatsoever for the theft of iPads!

### Safety instructions

- Protect the device from fluids to avoid damage caused by fire or electric shocks!
- The device must not be subject to maintenance by users! Installation and deinstallation must be conducted by certified electricians!
- Do not put any foreign bodies into the device!
- Should any fluids or objects enter or fall into the device, or should the device become damaged, disconnect the device from the power supply immediately!



# Notes

Here is some space to make notes

.....

.....

.....

.....

.....

.....

.....

.....

.....

.....

# Guarantee

## Guarantee

The guarantee period shall run for two (2) years from the date of purchase made by the original end customer, unless the device has been repaired or replaced due to the invocation of guarantee rights. In such a case the guarantee shall remain valid until the expiry of the original guarantee period or six (6) months from the date of repair/replacement – whichever period expires first.

## Claims for defects and claim validation

Should your iDock fail or cease to function as desired, please contact your dealer and provide the original invoice, the serial number and a description of the error.

The dealer will arrange for the device to be inspected by the manufacturer or a technician authorized by the manufacturer. The inspector can then confirm a defect has been identified within the guarantee period, has been caused by defective materials or manufacturing, and is not subject to exclusion from the guarantee.

## Exclusion from guarantee coverage

The following damages and sources of damage are excluded from the guarantee:

- Acts of God;
- Misuse, including (but not limited to) failure to comply with assembly, mounting or operating instructions;
- Incorrect operation;
- Connection to an unsuitable power supply;
- Repairs and attempted repairs conducted by unauthorized individuals;
- Use of the device in connection with products from other sources;
- Devices whose manufacturer serial number has been changed, deleted, removed or made illegible;
- Upgrading of devices above and beyond the specifications, features or functions listed in the operating manual

## Limits to liability

The above guarantee portrays the entire scope of liability applicable to iRoom GmbH. Hence, iRoom GmbH shall decline any further claims for liability for loss or damage (except in proven cases of gross negligence) resulting from the purchase, acquisition, ownership, possession, sale or use, of this device.

Under no circumstances shall iRoom GmbH accept any liability for subsequent consequential damages, delays, unsuitable or incorrect information or advice, and violation of copyright. The rights of the purchaser as regards defects shall not be affected.

## Various conditions

Absolutely nobody, including all sales and distribution partners, dealers, agents and sales representatives, shall have any right whatsoever to take on responsibility for guarantee rights or to alter them in any way on behalf of iRoom GmbH.

The purchaser shall take sole responsibility for ensuring the device is suitable for the purpose for which it is to be used.

iRoom's iDock Portrait

# Installation instructions

---



**iRoom GmbH – intelligente Technik**  
Bayerhamer Str. 5  
A-5020 Salzburg  
Austria

Visit our website:  
[www.iroomidock.com](http://www.iroomidock.com)

