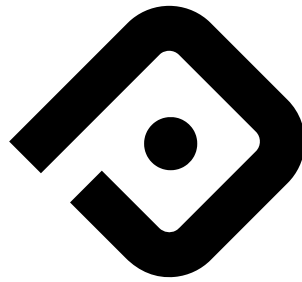


**iPort<sup>®</sup>**

**Hold. Charge. Protect. Integrate.**



---

iPort is the leading designer of beautifully crafted products that maximize the user experience of mobile devices, in any environment. iPort's innovative product offerings provide a complete solution for residential and commercial applications. By ensuring that devices are always accessible, charged and protected, iPort is transforming the way mobile devices are used.

iPort, a brand of Dana Innovations, is a Southern California company passionate about the intersection of technology and design. Inventor of the in-wall speaker in 1983, Dana Innovations remains an industry leader in over 17 unique categories of products that marry technology with architecture.

Hold. Charge. Protect. Integrate.

## LAUNCHPORT

Wireless charging and mounting system for table and wall; Premium finishes and options



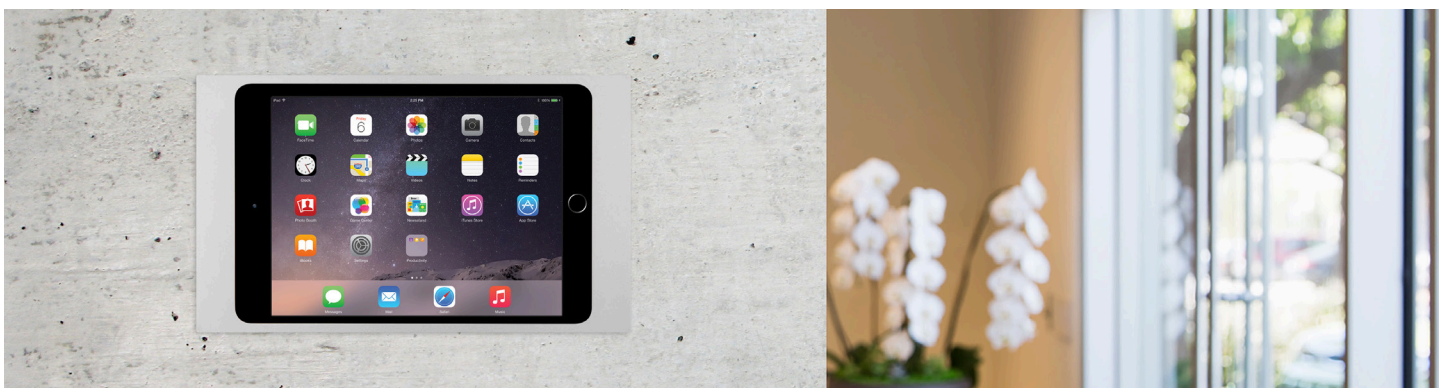
## CONTROL MOUNT

In-wall mount and charging system



## SURFACE MOUNT

On-wall mount and charging system; Premium finishes and options



# LaunchPort

Wireless charging and mounting system for table and wall; Premium finishes and options



Always Charged



Home Base



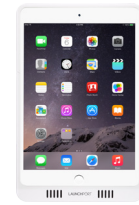
Protective Case

## SLEEVES



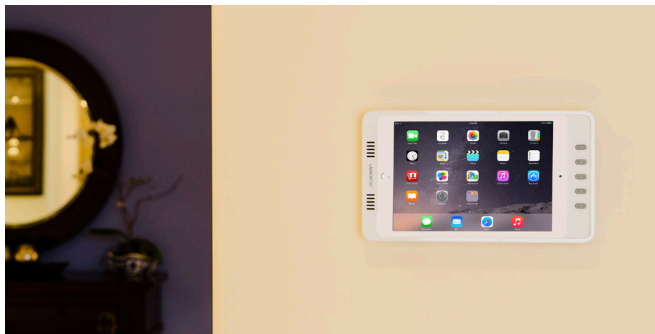
### AP.5 for iPad Air 2 | 1

70300 Black  
70301 White



### AM.2 for iPad mini 4 | 3 | 2 | 1

70304 Black  
70305 White



## STATIONS



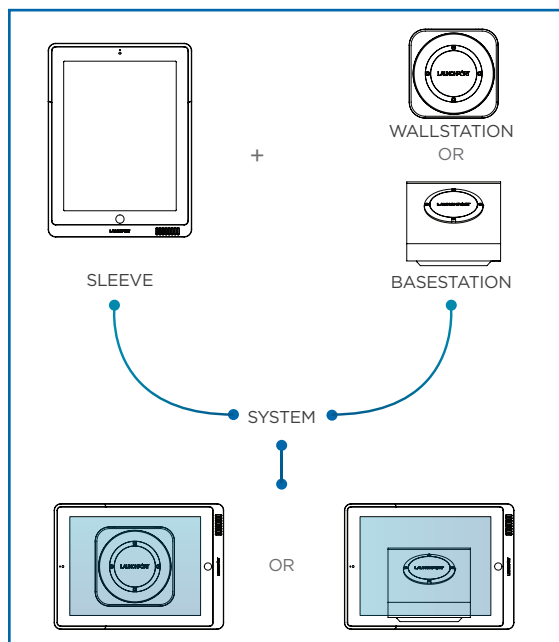
### BaseStation

70158 Black  
70141 Silver

### WallStation

70170 Black  
70142 White

## SYSTEM



Power WallStation up to 150 feet from power supply.  
Power BaseStation up to 5 feet from wall receptacle.

## BUTTONS



### AP.5 Buttons for iPad Air 2 | 1

70302 Black  
70303 White

### Buttons + Glass:

The Best of Both Worlds

Works with control systems like Savant, Control 4, Crestron, RTI, and more via Lutron Clear Connect.

Learn more at [iportproducts.com/buttons](http://iportproducts.com/buttons)

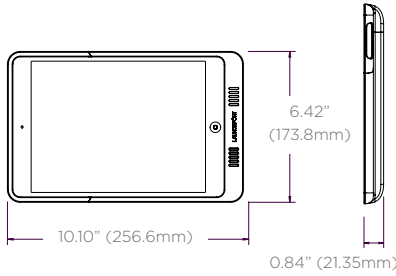
### AM.2 Buttons for iPad mini 3 | 2 | 1

70306 Black  
70307 White

# LAUNCHPORT SPECIFICATIONS

## SLEEVES

### Sleeve AP.5

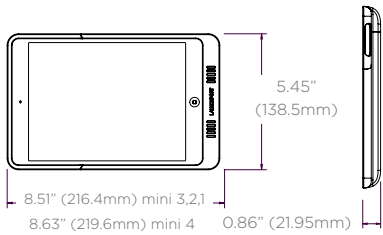


**Dimensions**  
 Weight: 0.60 lbs  
 Height: 10.10" (256.6mm)  
 Width: 6.42" (173.8mm)  
 Depth: 0.84" (21.35mm)  
 Off Wall: 1.06" (27mm)

**Power**  
 Input: 15V 2A  
 Output: 5.2V 2.4A

**iPad Air 2 | 1**  
 70300 Black  
 70301 White

### Sleeve AM.2

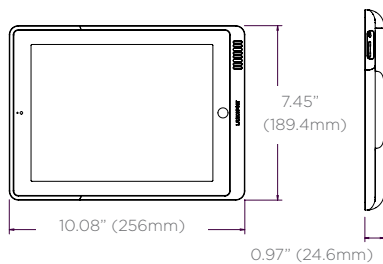


**Dimensions**  
 Weight: 0.44 lbs  
 Height: 8.51" (216.4mm) (LaunchPort mini 3,2,1)  
 Height: 8.63" (219.6mm) (LaunchPort mini 4)  
 Width: 5.45" (138.5mm)  
 Depth: 0.86" (21.95mm)  
 Off Wall: 1.07" (27.2mm)

**Power**  
 Input: 15V 2A  
 Output: 5.2V 2.4A

**iPad mini 4 | 3 | 2 | 1**  
 70304 Black  
 70305 White

### Sleeve AP.4 | AP.3



**Dimensions**  
 Weight: 0.70 lbs  
 Height: 10.08" (256mm)  
 Width: 7.45" (189.4mm)  
 Depth: 0.97" (24.6mm)  
 Off Wall: 1.19" (30.2mm)

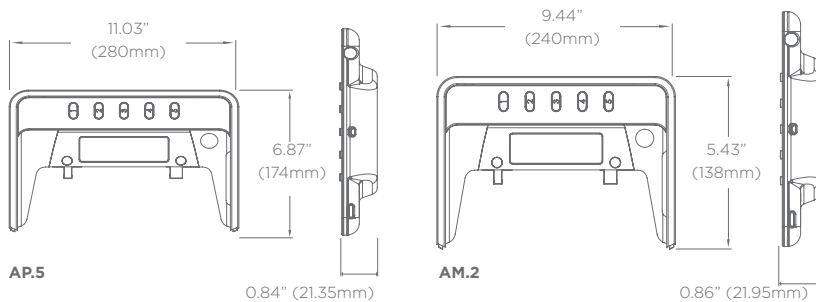
**Power**  
 Input: 15V 2A  
 Output: 5.2V 2.4A

**iPad 4th gen**  
 70182 White\*

**iPad 3rd gen**  
 70186 Black\*  
 70187 White\*

\*While Supplies Last

### Sleeve Buttons



**AP.5**  
**Dimensions**  
 Weight: 0.16 lbs  
 Height: 6.87" (174mm)  
 Width: 11.03" (280mm)  
 Depth: 0.84" (21.35mm)

**AM.2**  
**Dimensions**  
 Weight: 0.14 lbs  
 Height: 5.43" (138mm)  
 Width: 9.44" (240mm)  
 Depth: 0.87" (21.95mm)

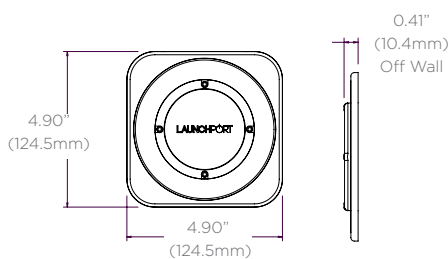
**iPad Air 2 | 1**  
 70302 Black\*  
 70303 White\*

**iPad mini 3 | 2 | 1**  
 70306 Black\*  
 70307 White\*

\* For use in North America

## STATIONS

### WallStation

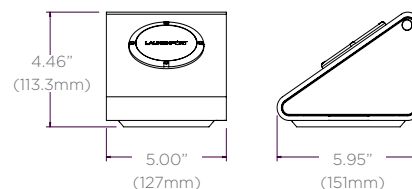


**Dimensions**  
 Weight: 0.61 lbs  
 Height: 4.90" (145.5mm)  
 Width: 4.90" (145.5mm)  
 Depth: 1.42" (36mm)  
 Off Wall: 0.41" (10.4mm)

**Power**  
 Input: 110-240V AC  
 Output: 15V 2A

70170 Black  
 70142 White

### BaseStation



**Dimensions**  
 Weight: 3.60 lbs  
 Height: 4.46" (113.3mm)  
 Width: 5.00" (127mm)  
 Depth: 5.95" (151mm)

**Power**  
 Input: 110-240V AC  
 Output: 15V 2A

70158 Black  
 70141 Silver

# Control Mount

In-wall mount and charging system



## MODELS

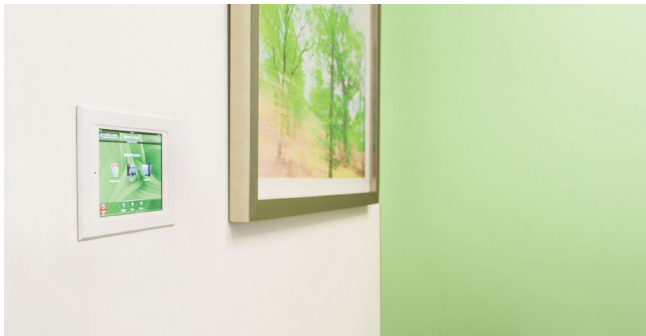


**Control Mount Air 2 | 1**  
70095 White

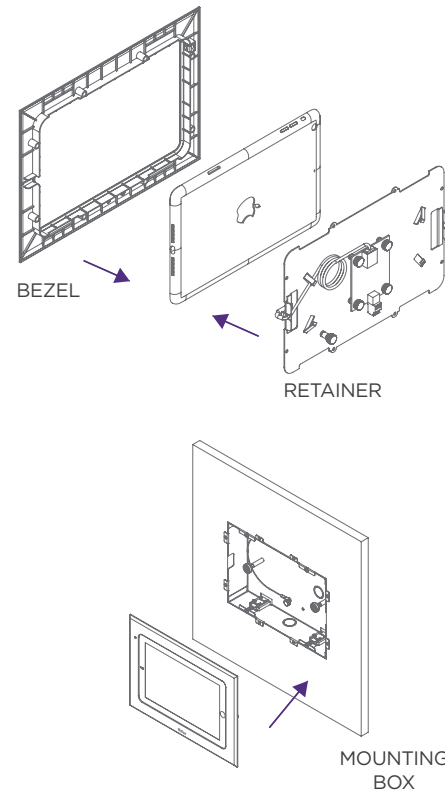


**Control Mount mini 3 | 2 | 1**  
70094 White

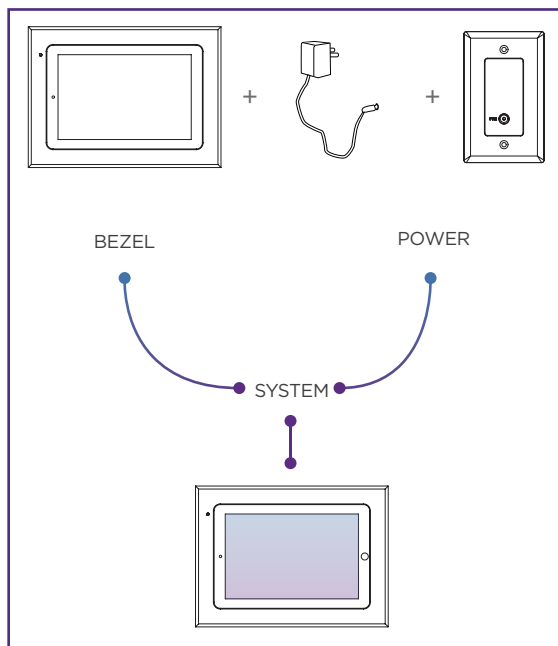
\*All models include bezel and power electronics



## INSTALLATION



## SYSTEM

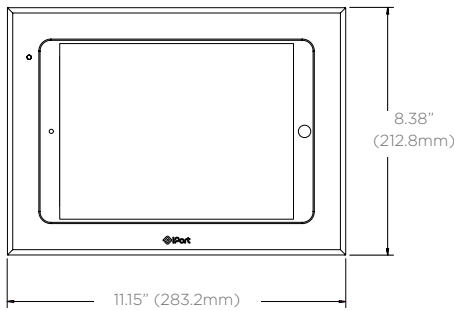


Power up to 200 feet from power source.

# CONTROL MOUNT SPECIFICATIONS

## MODELS

### Control Mount Air



#### Dimensions

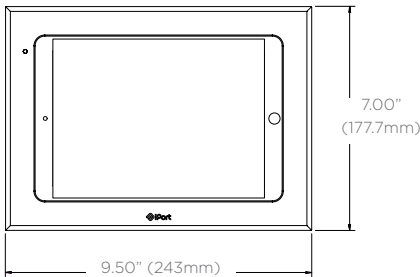
Weight: 3.59 lbs  
 Height: 8.38" (212.8mm)  
 Width: 11.15" (283.2mm)  
 Depth: 2.28" (57.91mm)  
 Off Wall: 0.20" (5.08mm)  
 Cut-Out  
 Dims  
 (WxH) : 10.33" x 7.82"  
 (262.38mm) x  
 (198.63mm)

#### Power

Power Supply  
 Input: 110-240V AC  
 Output: 15V 1A DC  
 USB Electronics  
 Input: 12-24V DC  
 Output: 5V DC 2.4A

**iPad Air 2 | 1**  
 70095 White

### Control Mount mini



#### Dimensions

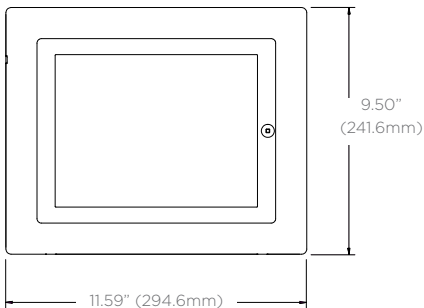
Weight: 1.75 lbs  
 Height: 7.00" (177.7mm)  
 Width: 9.50" (243mm)  
 Depth: 2.00" (50.8mm)  
 Off Wall: 0.18" (4.57mm)  
 Cut-Out  
 Dims  
 (WxH) : 8.83" x 6.44"  
 (224.28mm) x  
 (163.58mm)

#### Power

Power Supply  
 Input: 110-240V AC  
 Output: 15V 1A DC  
 USB Electronics  
 Input: 12-24V DC  
 Output: 5V DC 2.4A

**iPad mini 3 | 2 | 1**  
 70094 White

### CM-IW2000V2



#### Dimensions

Weight: 4.55 lbs  
 Height: 9.50" (241.6mm)  
 Width: 11.59" (294.6mm)  
 Depth: 2.36" (59.95mm)  
 Off Wall: 0.36" (9.14mm)  
 Cut-Out  
 Dims  
 (WxH) : 10.33" x 7.82"  
 (262.38mm) x  
 (198.63mm)

#### Power

Power Supply  
 Input: 110-240V AC  
 Output: 15V 1A DC  
 USB Electronics  
 Input: 12-24V DC  
 Output: 5V DC 2.4A

**iPad 4 | 3 | 2 | 1**  
 70093 White

# Surface Mount

On-wall mount and charging system; Premium finishes and options



High Grade  
Aluminum Finish



Flexible Power  
Options



Secure Mounting



## BEZELS



**iPad Air 2 | 1**  
70703 Black  
70704 Silver  
70705 White



**iPad mini 3 | 2 | 1**  
70700 Black  
70701 Silver  
70702 White



**iPad mini 4**  
70722 Black  
70723 Silver  
70724 White

## ELECTRONICS



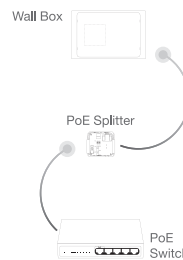
**PoE Splitter**  
70718



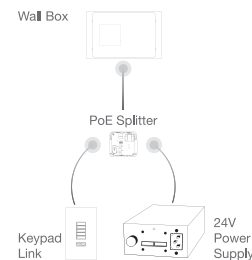
**PoE Injector**  
70719

## POWER OPTIONS

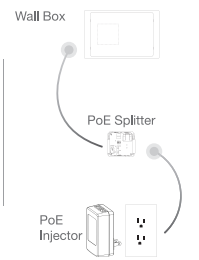
### PoE Switch



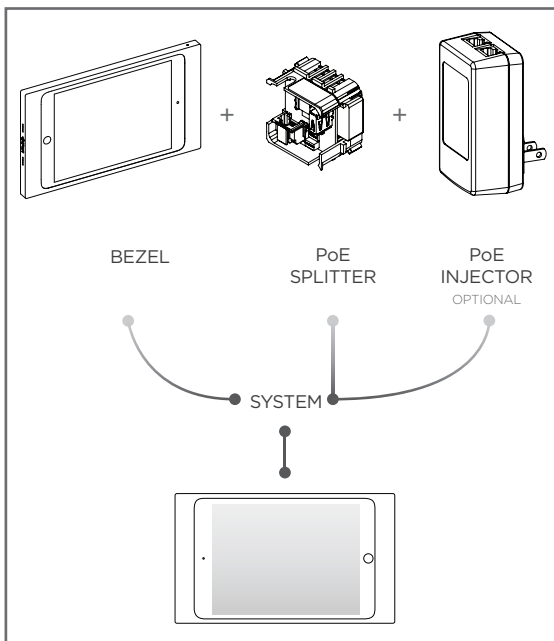
### 24V



### Receptacle



## SYSTEM



## BUTTONS

iPad mount and IP Keypad combined in one elegant device



- Direct IP Addressable
- Backlit Buttons
- Custom Options

Works with control systems like Savant, Control4, Crestron, RTI, Pro Control and more.

Power up to 600 feet from power source.

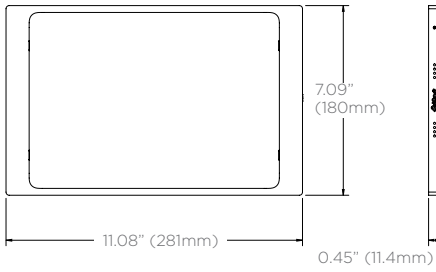
Learn more at  
[iportproducts.com/surfacemount](http://iportproducts.com/surfacemount)



# SURFACE MOUNT SPECIFICATIONS

## BEZELS

### Bezel Air 2 | 1



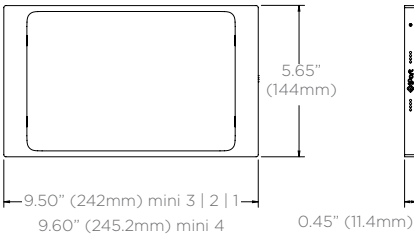
#### Dimensions

Weight: 0.96 lbs  
(Bezel & mounting plate)  
Height: 7.09" (180mm)  
Width: 11.08" (281mm)  
Depth: 0.45" (11.4mm)

#### iPad Air 2 | 1

70703 Black  
70704 Silver  
70705 White

### Bezel mini 4 | 3 | 2 | 1



#### Dimensions

Weight: 0.69 lbs  
(Bezel & mounting plate)  
Height: 5.65" (144mm)  
Width: 9.50" (242mm)  
Width: 9.60" (245.2mm)  
Depth: 0.45" (11.4mm)

#### iPad mini 3 | 2 | 1

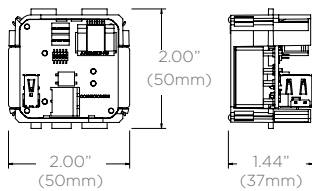
70700 Black  
70701 Silver  
70702 White

#### iPad mini 4

70722 Black  
70723 Silver  
70724 White

## ELECTRONICS

### PoE Splitter



#### Dimensions

Weight: 0.14 lbs  
Height: 2.00" (50mm)  
Width: 2.00" (50mm)  
Depth: 1.44" (37mm)

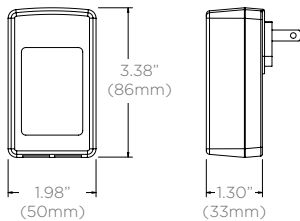
#### Power

Input: DC 56V, 0.275A or  
DC 36V-57V, 0.4A  
(PoE IEEE 802.3af)  
Output: DC 5V, 2.4A max  
AUX/Input: DC 18V-24V, 0.8A

#### PoE Splitter

70718

### PoE Injector



#### Dimensions

Weight: 0.21 lbs  
Height: 3.38" (86mm)  
Width: 1.98" (50mm)  
Depth: 1.30" (33mm)

#### Power

Input: AC110-240V  
~50/60Hz 0.5A  
Output: PoE IEEE 802.3af

#### PoE Injector

70719





LaunchPort, iPort and Charge Case and Stand are trademarks of Dana Innovations, registered in the U.S. and other countries. Copyright 2015, all rights reserved.

iPad display images are simulations.

iPad is a trademark of Apple Inc., Registered in the U.S. and other countries. "Made for iPad" means that an electronic accessory has been designed to connect specifically to iPad and has been certified by the developer to meet Apple performance standards. Apple is not responsible for the operation of this device or its compliance with safety and regulatory standards.

Please note that the use of this accessory with iPad may affect wireless performance. Patent pending. Specifications subject to change.