

# WALLSTATION

## LAUNCHPORT CHARGING STATION



For charging LAUNCHPORT iPad Sleeves

### INSTALLATION SPECIFICATIONS

#### Applications:

The WallStation allows for an easy installation in many different applications and surface types. WallStation can be installed in 1/2", 5/8", and 8mm drywall as well as a variety of wall coverings such as: level 5 drywall, textured drywall, wallpaper, and plaster. It can also be installed in solid surfaces such as wood.

#### Finish:

WallStation ships in white or black.  
WallStation is not paintable.

#### Materials:

*Mounting Plate* - Powder coated steel

*Fascia* - ABS plastic

#### Environment:

For indoor use only.

#### Electronics:

Input - 110-240V AC

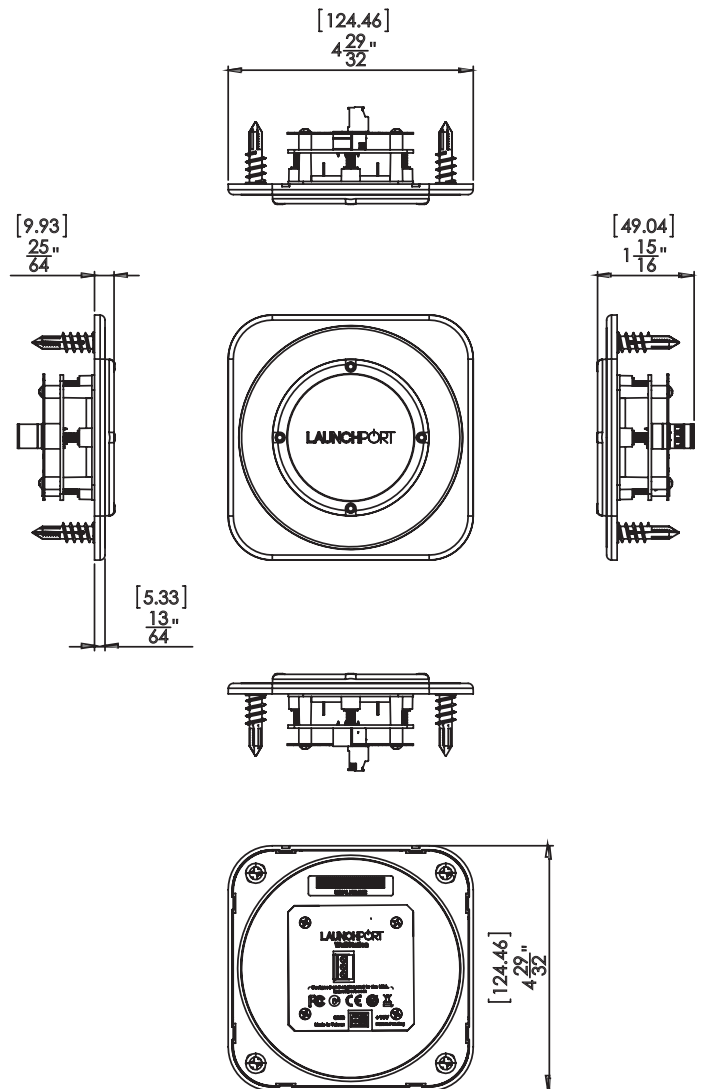
Output - 15V 2A DC

See wiring guide for more electrical info

#### Mounting Depth with Sleeve:

1 3/16"

30mm



### ORDERING & ACCESSORY INFO

70142 - WallStation White

70170 - WallStation Black

212 Avenida Fabricante  
San Clemente, CA 92672  
(949) 492 - 7777

I PORT PRODUCTS.COM

As part of its policy of continuous research and product development, the company reserves the right to change or withdraw specifications without prior notice.

iPort and the iPort Logo are trademarks of Dana Innovations. © 2014 Dana Innovations. All rights reserved.

TYPE:

CATALOG:

PROJECT:

DATE: