



ACOUSTIC & ELECTRICAL SPECIFICATIONS:

- Nominal Impedance 8 Ohms
- Max Amp Power 200 Watts*
- Frequency Response 70Hz - 40kHz
- Sensitivity 90dB (2.83V @ 1 meter)
- Crossover Frequency 1000Hz, 8kHz

SYSTEM COMPONENTS:

- Grille 354509-001
- Low-Frequency Transducer Dual 8" (203mm) Polymer treated, (361279-001)
DC Resistance 10.0 Ohms ±10%
- High-Frequency Transducer 435 AL 3" (67mm) Aluminum Dome (338831-003)
DC Resistance 4.1 Ohms ±10%
- Ultra High-Frequency Transducer 045Ti Pure Titanium (361016-001)
DC Resistance 3.1 Ohms ±10%
- Crossover Network (HF) 360910-001
- Crossover Network (LF) 360910-002

AURAL SWEEP TEST SPECIFICATIONS:

- System Aural Sweep Test 6.0V input 70Hz to 20kHz
- L.F. Aural Sweep Test 5.0V input 70Hz to 1kHz
- M.F. Aural Sweep Test 1.00V input 1kHz to 8kHz
- H.F. Aural Sweep Test 1.00V input 8kHz to 20kHz

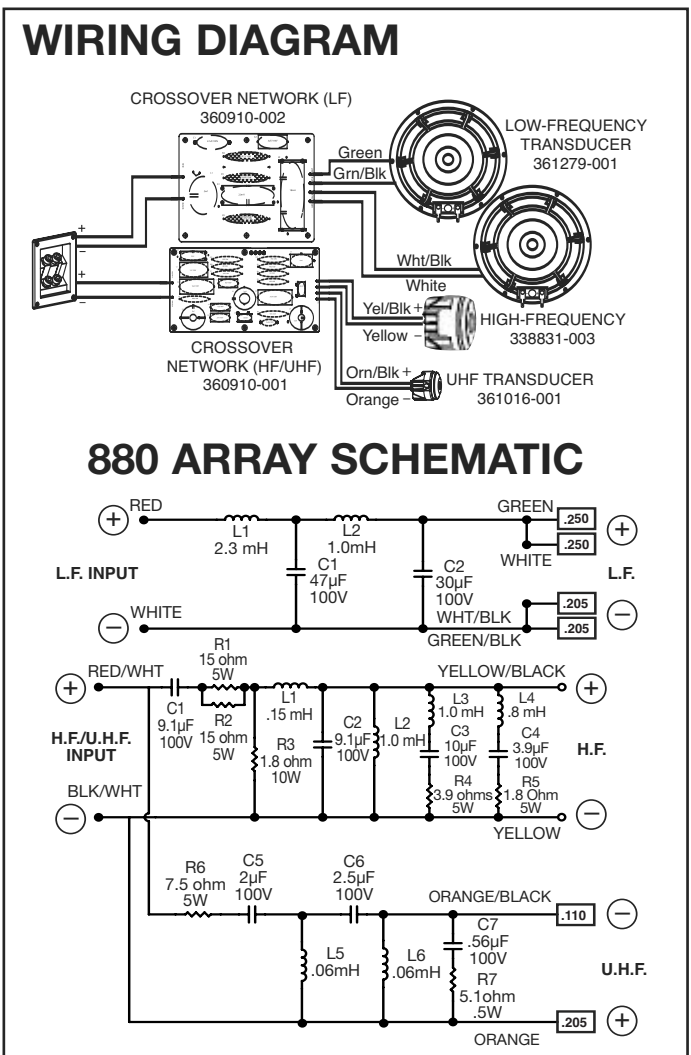
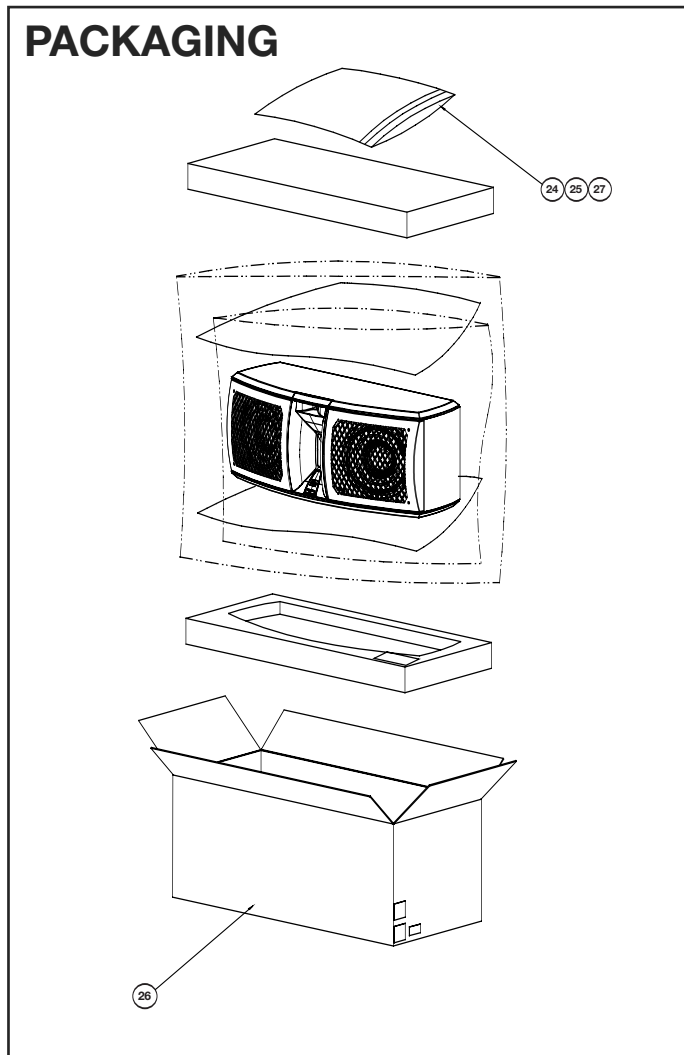
PHYSICAL SPECIFICATIONS:

- Dimensions With Grille: 12-1/4" x 28-3/4" x 11"
(H x W x D) (311mm x 730mm x 279mm)
- Weight 46 lb/21kg (each)

WARRANTY:

- Refer to Warranty Statement packed with each product.

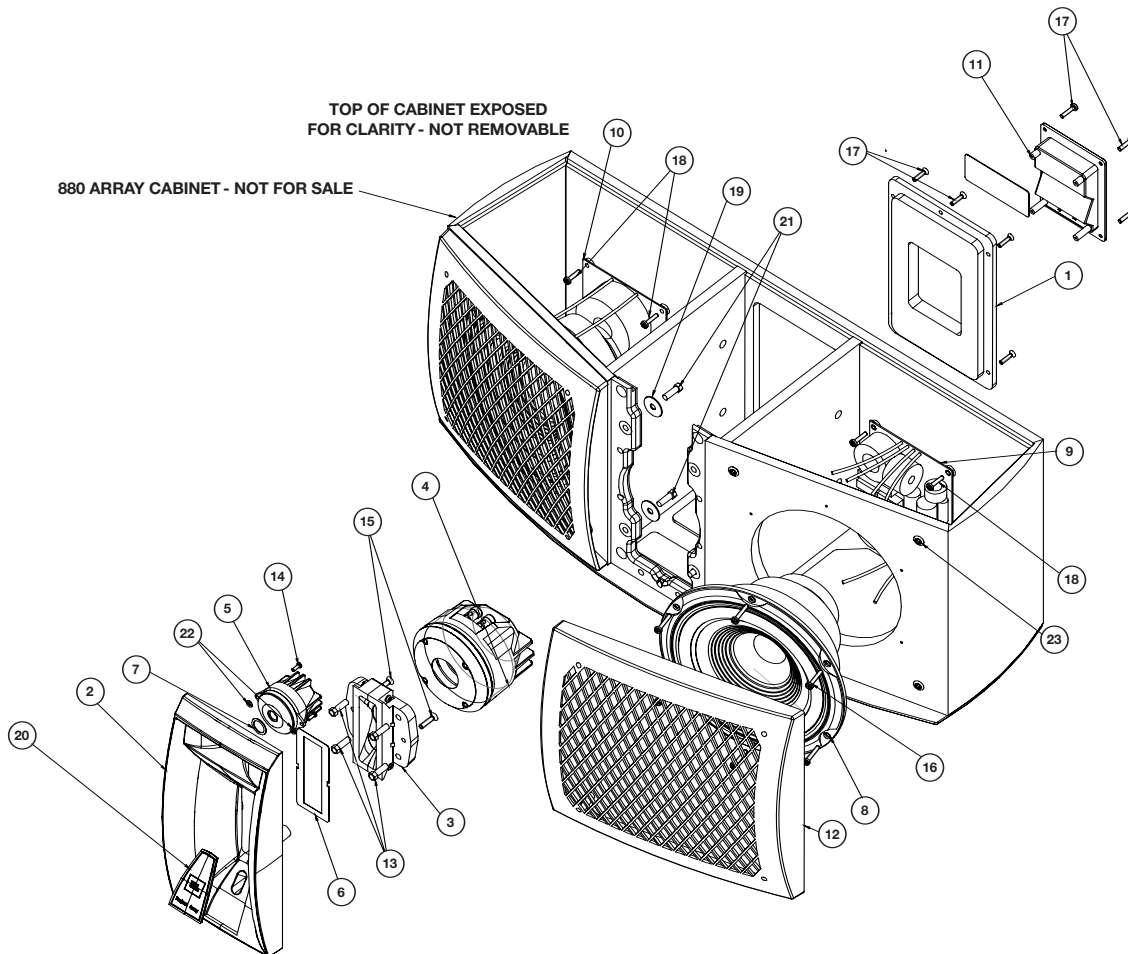
* The maximum recommended amplifier power rating will ensure proper system headroom to allow for occasional peaks. We do not recommend sustained operation at these maximum power levels.



880 Array Project Array™ Series



EXPLODED VIEW



SERVICING THE HF AND UHF DRIVERS IN THE 880 ARRAY IS ACCOMPLISHED BY REMOVING THE REAR ACCESS PANEL (Six Phillips Screws)

ITEM NO.	PART NO.	DESCRIPTION	QTY.	ITEM NO.	PART NO.	DESCRIPTION	QTY.
1	NOT FOR SALE	ACCESS DOOR	1	17	882-51110-12	SCREW, 6 X 3/4,OV,PH,PTCL,BLK ZC, LCS TERM CUP, PANEL	10
2	355101-002	HORN,FRNT,PNTD-800/880/1000 ARRAY	1	18	883-41110-12	SCREW,8 X 3/4,PAN,PH,PB,BLK ZINC, LCS NETWORK	10
3	355102-002	HORN,REAR,PNTD-800/880/1000 ARRAY	1	19	844-00110-06	WASHER, #1/4 X .06, FLTPL,REG,BLK ZINC,CS	4
4	338831-003	ASY, HF DRIVER-435-AL-1	1	20	360811-001	JBL LOGO-ARRAY	1
5	361016-001	TWEETER,UHF-045TI-1	1	21	875-33004-12	SCREW,1/4-20 X 3/4 SKT,HEX, CLR ZINC, ALLOY HORN/CAB	4
6	355104-001	GSKT,HORN-800/880/1000 ARRAY	1	22	338536-001	GSKT,WSHR, .3120DX.156ID-K2S9800	2
7	339976-001	GSKT,UHF-K25800	1	23	333249-001	GRILLE CUPS	8
8	361279-001	ASY,WFR/MIDRNG,8"-880 ARRAY	2	24	331994-001	WARRANTY, 5 YEAR,JBL	1
9	360910-001	ASY,XOVER NETWORK, HF-880 ARRAY	1	25	361041-001	OWNER'S MANUAL,MULTI LANGUAGE-ARRAY SER	1
10	360910-002	ASY, XOVER NETWORK, LF-880 ARRAY	1	26	361354-001	OUTER CARTON-800 ARRAY	1
11	351441-002	CUP,TERM-ARRAY	1	27	301821-001	BUMPER,.5H X .81SQI	4
12	354509-001	FRONT GRILLE,CAB-880 ARRAY CTR	2				
13	854-00000-12	BOLT,1/4-20 X 3/4,HEX,TAP,CLR ZC,LCS MIDRNG/HORN	4				
14	802-93056-06	SCREW,6-32 X 3/8,BTN,HEX,NO FIN, SS TWEETER	2				
15	804-41110-12	SCREW,10-32 X 3/4,PAN,PH,BLK ZINC, LCS REAR HORN	2				
16	883-41110-16	SCREW,8 X 1,PAN,PH,PB,BLK ZINC,LCS WOOFER	12				

880 Array Project Array™ Series