

# STEINWAY LYNGDORF

## SPECIFICATIONS

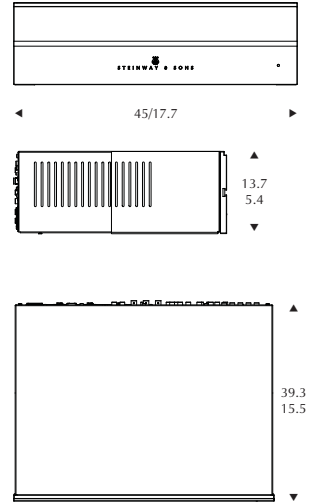
MODEL P 1  
MODEL SP - 1  
MODEL A 1  
MODEL A 2  
MODEL CDP - 1

# SPECIFICATIONS



## Model P1 Surround Sound Processor

Description	Rack mount or freestanding surround sound Processor
Features	8 channel RoomPerfect™; True Bass Management; Time alignment; Automatic level alignment; Automatic format detection; 3U high
Decoding	Dolby Digital, Dolby Digital EX, Dolby Digital Plus, Dolby TrueHD, DTS, DTS ES Discrete 6.1, DTS ES Matrix 6.1, DTS 96/24, DTS-HD Master
Audio	
Post processing	Dolby Pro Logic II, Dolby Pro Logic IIx, Dolby EX, DTS Neo:6
Input	<p>Audio:</p> <ul style="list-style-type: none"> <li>1 x AES/EBU S/P-DIF input;</li> <li>4 x S/P-DIF coaxial inputs;</li> <li>4 x S/P-DIF optical inputs;</li> <li>1 x Balanced stereo analog input (XLR);</li> <li>4 x Single ended stereo analog inputs (RCA);</li> <li>1 x Multichannel single ended analog input (RCA);</li> <li>1 x Microphone input (XLR) for RoomPerfect™ calibration.</li> </ul> <p>Video:</p> <ul style="list-style-type: none"> <li>2 x Composite;</li> <li>2 x S-Video;</li> <li>5 x Component;</li> <li>5 x HDMI™</li> </ul>
Output	<p>Audio:</p> <ul style="list-style-type: none"> <li>3 x Steinway Lyngdorf Digital Link (CAT 5e based);</li> <li>1 Single ended stereo analog output for secondary audio output.</li> </ul> <p>Video:</p> <ul style="list-style-type: none"> <li>2 Composite;</li> <li>2 S-Video;</li> <li>2 Component (1 RCA, 1 BNC); 1 HDMI™</li> </ul>
Miscellaneous	<ul style="list-style-type: none"> <li>1 x DB9 RS232 connector;</li> <li>2 x IR sensor inputs;</li> <li>1 x IR output (loop from one of the sensor inputs);</li> <li>1 x Trigger input;</li> <li>4 x Trigger outputs;</li> <li>1 x RJ45 Ethernet LAN connector;</li> <li>1 x RJ45 connector for external RF receiver;</li> <li>1 x Compact Flash slot (Storage for system software and settings);</li> <li>1 x service connector (FLASH memory key)</li> </ul>
Dimensions (H x W x D) Freestanding	13.7 x 45.0 x 34.3/39.3 cm* 5.4 x 17.7 x 13.5/15.5 in*
Dimensions (H x W x D) Rack mount	13.2 x 45.0 x 34.3/39.3 cm* (3U) 5.2 x 17.7 x 13.5/15.5 in*
Weight	9.8 kg / 21.6 lbs
Comments	*incl/excl cables

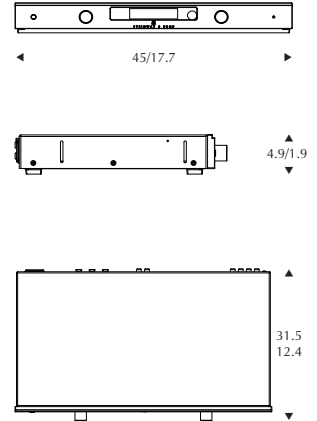


# SPECIFICATIONS



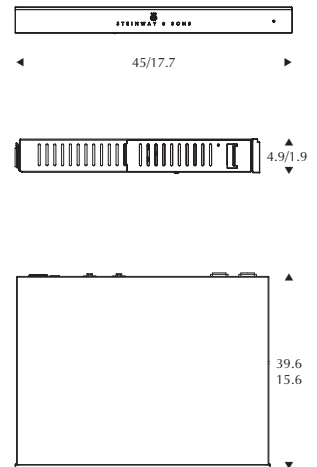
## Model SP-1 Stereo Processor

Description	Rack mount or freestanding stereo Processor
Features	2 channel RoomPerfect™; Digital delay, Voicings; Graphic display; 1U high
Input	Digital: 4 x S/PDIF (coax); 6 x Toslink (optical); 1 x USB (audio input)  Analog: 4 x single-ended; Input for microphone
Output	3 x Steinway Lyngdorf Digital Link (CAT 5e based)
Miscellaneous	1 x Trigger input; 1 x IR sensor input; 1 x USB (software update); 1 x RJ 12 (RS 232 control)
Dimensions (H x W x D) Freestanding	4.9 x 45.0 x 26.5/31.5 cm* 1.9 x 17.7 x 10.4/12.4 in*
Dimensions (H x W x D) Rack mount	4.4 x 45.0 x 26.5/31.5 cm* (1U) 1.7 x 17.7 x 10.4/12.4 in*
Weight	5 kg / 11 lbs
Comments	* incl/excl cables



## Model A1 Fully Digital Amplifier

Description	Rack mount or freestanding 2 channel fully digital power amplifier
Features	Active Eq., voicings, crossover, time delay; 1U high
Input	1 x Steinway Lyngdorf digital link (CAT 5e based) 1 x RJ12 RS232 connector
Output	1 x Steinway Lyngdorf Digital Link (CAT 5e based) 2 x Speakon® speaker output
Power Rating	2 x 400W @ 4 Ohm
Dimensions (H x W x D) Freestanding	4.9 x 45.0 x 34.6/39.6 cm* 1.9 x 17.7 x 13.6/15.6 in*
Dimensions (H x W x D) Rack mount	4.4 x 48.3 x 34.6/39.6 cm* (1U) 1.7 x 19 x 13.6/15.6 in*
Weight	6.6 kg / 14.6 lbs
Comments	* incl/excl cables

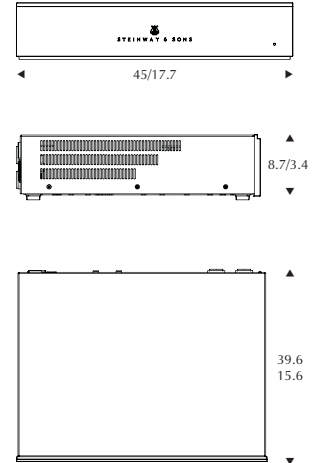


# SPECIFICATIONS



## Model A2 Fully Digital Amplifier

Description	Rack mount or freestanding 4 channel fully digital power amplifier
Features	Active Eq., voicings, crossover, time delay; 2U high
Input	1 x Steinway Lyngdorf digital link (CAT 5e based) 1 x RJ12 RS232 connector
Output	1 x Steinway Lyngdorf Digital Link (CAT 5e based) 4 x Speakon® speaker output
Power Rating	4 x 400W @ 4 Ohm
Dimensions (H x W x D) Freestanding	8.7 x 45.0 x 34.6/39.6 cm* 3.4 x 17.7 x 13.6/15.6 in*
Dimensions (H x W x D) Rack mount	8.2 x 48.3 x 34.6/39.6 cm* (2U) 3.2 x 19 x 13.6/15.6 in*
Weight	9.5 kg / 21.0 lbs
Comments	* incl/excl cables



## Model CDP-1

Description	Freestanding CD player
Audio outputs	1 x Optical; 1 x SPDIF; 2 x Digital Link (CAT 5e based)
Miscellaneous	1 x USB (software update); 1 x RJ 12 (RS 232 control)
Dimensions (H x W x D)	4.9 x 45.0 x 27.7/32.7 cm* 1.9 x 17.7 x 10.5/12.5 in*
Weight	4.2 kg / 9.3 lbs
Finish	Matte black
Comments	* incl/excl cable

