

# STEINWAY LYNGDORF

## SPECIFICATIONS

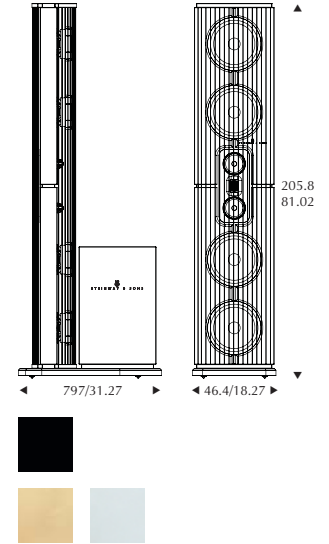
MODEL C  
MODEL D

# SPECIFICATIONS



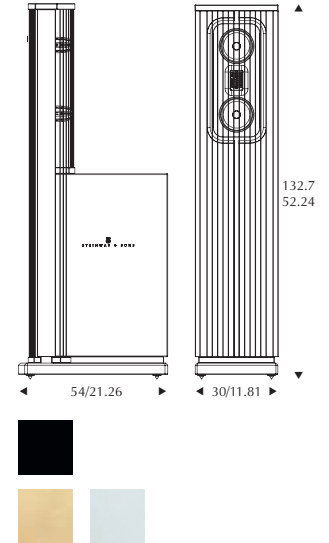
## Model D Speaker

Description	Floor-standing dipole speaker
Frequency response	20 - 22k Hz
Max SPL @ 1m	117 dB
Amplification needed	Built-in
Dimensions (H x W x D)	205.8 x 46.4 x 79.7 cm 81.02 x 18.27 x 31.27 in
Weight	174.0 kg / 383.6 lb
Finish	High-gloss black with gold or chrome accents Custom colors and wood finishes available



## Model C Speaker

Description	Floor-standing dipole speaker
Frequency response	250 - 22k Hz
Max SPL @ 1m	117 dB
Amplification needed	Built-in
Dimensions (H x W x D)	132.7 x 30.0 x 54.0 cm 52.24 x 11.81 x 21.26 in
Weight	64.8 kg / 142.9 lbs
Finish	High-gloss black with gold or chrome accents Custom colors and wood finishes available



## Model C Boundary Woofer

Description	Floor-standing Boundary Woofer
Frequency response	20 - 500 Hz
Max SPL @ 1m	117 dB (120 dB Corner)
Amplification needed	1 Channel (From Model C)
Dimensions (H x W x D)	44.6 x 48.2 x 45.5 cm 17.56 x 18.98 x 17.91 in
Weight	35.0 kg / 77.2 lbs
Finish	High-gloss black with gold or chrome accents Custom colors and wood finishes available

