



SYNTHESIS®

S4PCB

New Construction Bracket

NOTICE:

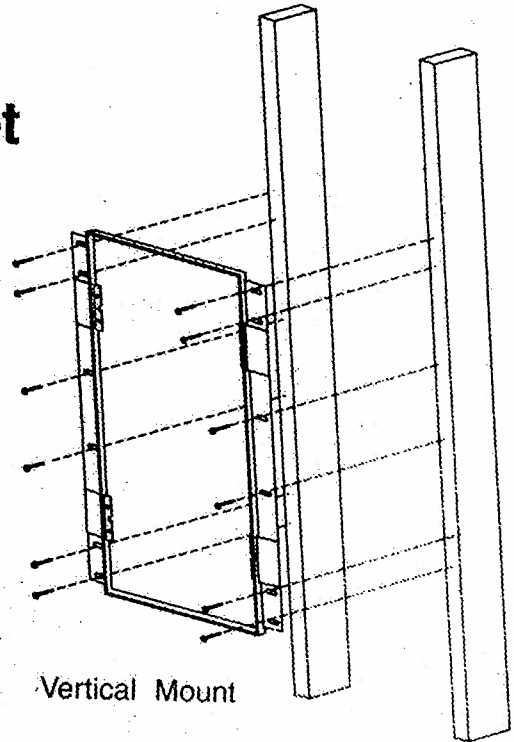
Important Safety Note: Proper selection of mounting hardware and installation of these brackets and loudspeakers are the sole responsibility of the customer.

NOTES:

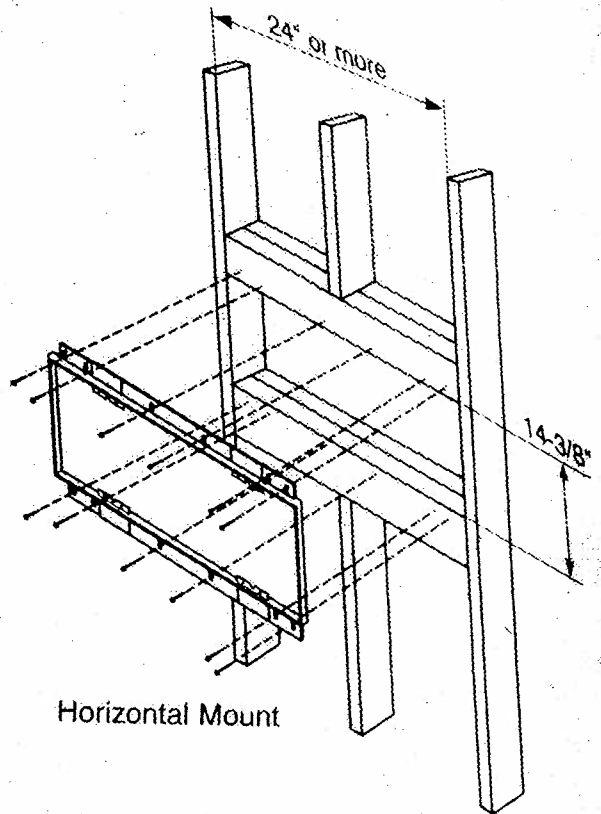
- The S4PCB New Construction Bracket is solely intended to be used with specific JBL Synthesis in-wall loudspeakers as identified in the loudspeaker's owner's manual, or other accompanying literature.
- This new construction bracket is packaged and sold separately from the loudspeaker in order to facilitate finalizing the exact location of the loudspeaker and installation of necessary wiring prior to completion of construction and placement of drywall, in either new construction or major remodeling where drywall has been removed. If loudspeakers are to be installed without the removal of the drywall, the S4RFB Retro-Fit Bracket should be used instead.

INSTALLATION INSTRUCTIONS:

- Twelve #8 or larger-in-diameter drywall screws, available from hardware stores, should be used per bracket. The screw head should be at least 5/16 of an inch in diameter, and the screw should be at least 1-1/2 inches in length. Make sure that all screws are installed onto wooden wall-studs.
- Install S4PCB as illustrated. Please note that installing the S4PCB in horizontal orientation will require bracing the wall structure as illustrated. This should be done by a licensed professional and in observance of local building and safety codes.
- Perform all necessary wiring (see loudspeaker installation manual for more details).
- Install drywall panels so that the raised edges of the bracket meet the drywall panels' cut edges.
- Finish drywall as necessary.



Vertical Mount



Horizontal Mount