

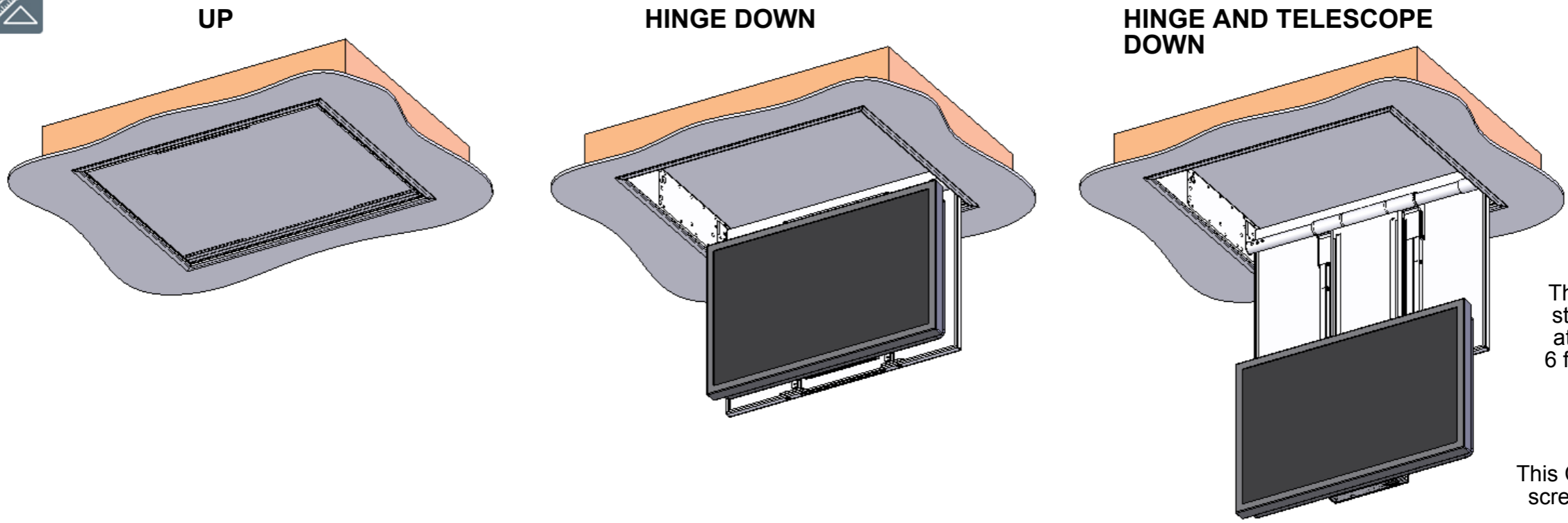


DESIGN HIGHLIGHTS

- Near silent motor system
- Modular format ensures simple installation
- Range of standard sizes
- Sized to suit options available

OPTIONS

- Swivel version with the CHS3, 4, 5 and 6
- Non telescopic version available in 4 standard sizes
- Marine suitable option with IP rated outdoor options with the M-CH3, 4, 5 and 6. (Non telescopic)
- Any RAL colour available
- Bang & Olufsen / Loewe mount option



FUNCTION

The CHT mechanism hinges a flat screen television from a ceiling through 90 degrees and then telescopes down

SUITABILITY

This CHT is one of three standard sizes available at present. See CHT5 & 6 for larger mechanisms.

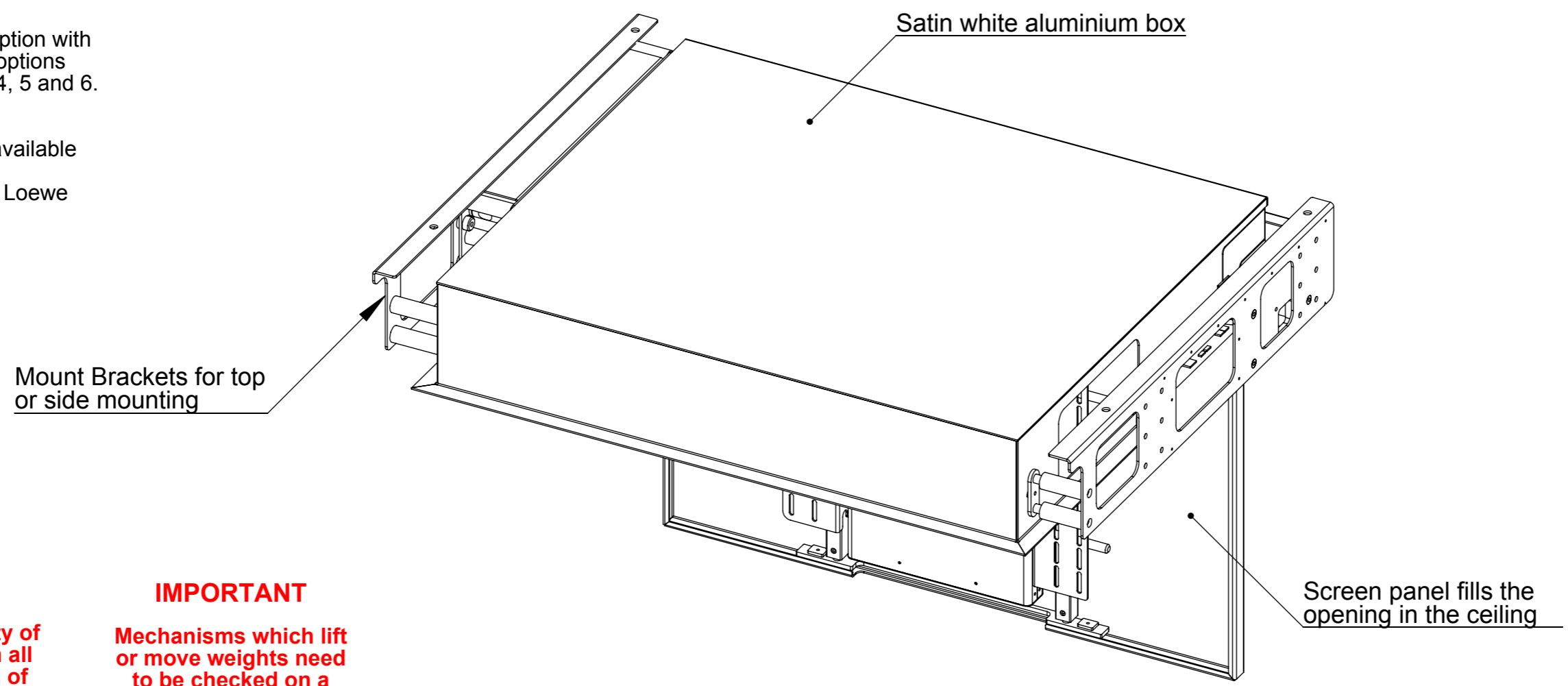
SPECIFYING

This CHT takes a maximum screen size of 1110 [43.7"] x 720 [28.3"] x 100mm [3.9"] deep. Maximum weight of 50Kg [110lb].

Screens with standard bolt fixings on the back can be fitted. See Sheet 5.

CONTROL

Supplied with basic infrared remote. Can be learnt by many learning remote. Also has contact closure and RS232 so can be operated by switches, Crestron, AMX or Lutron systems.



WARNING

It is the responsibility of the installer to warn all potential end users of the dangers of interfering with mechanisms during operation

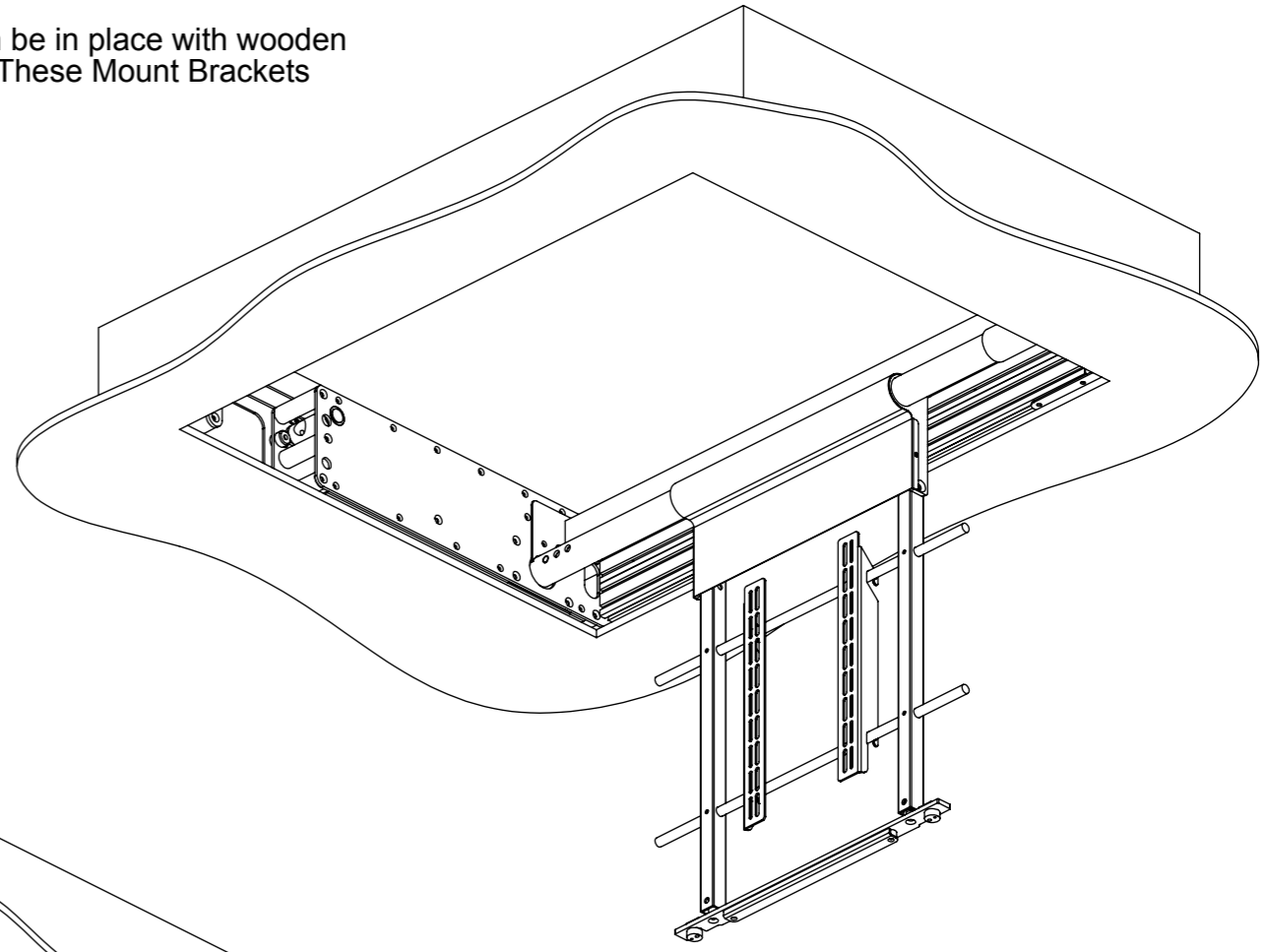
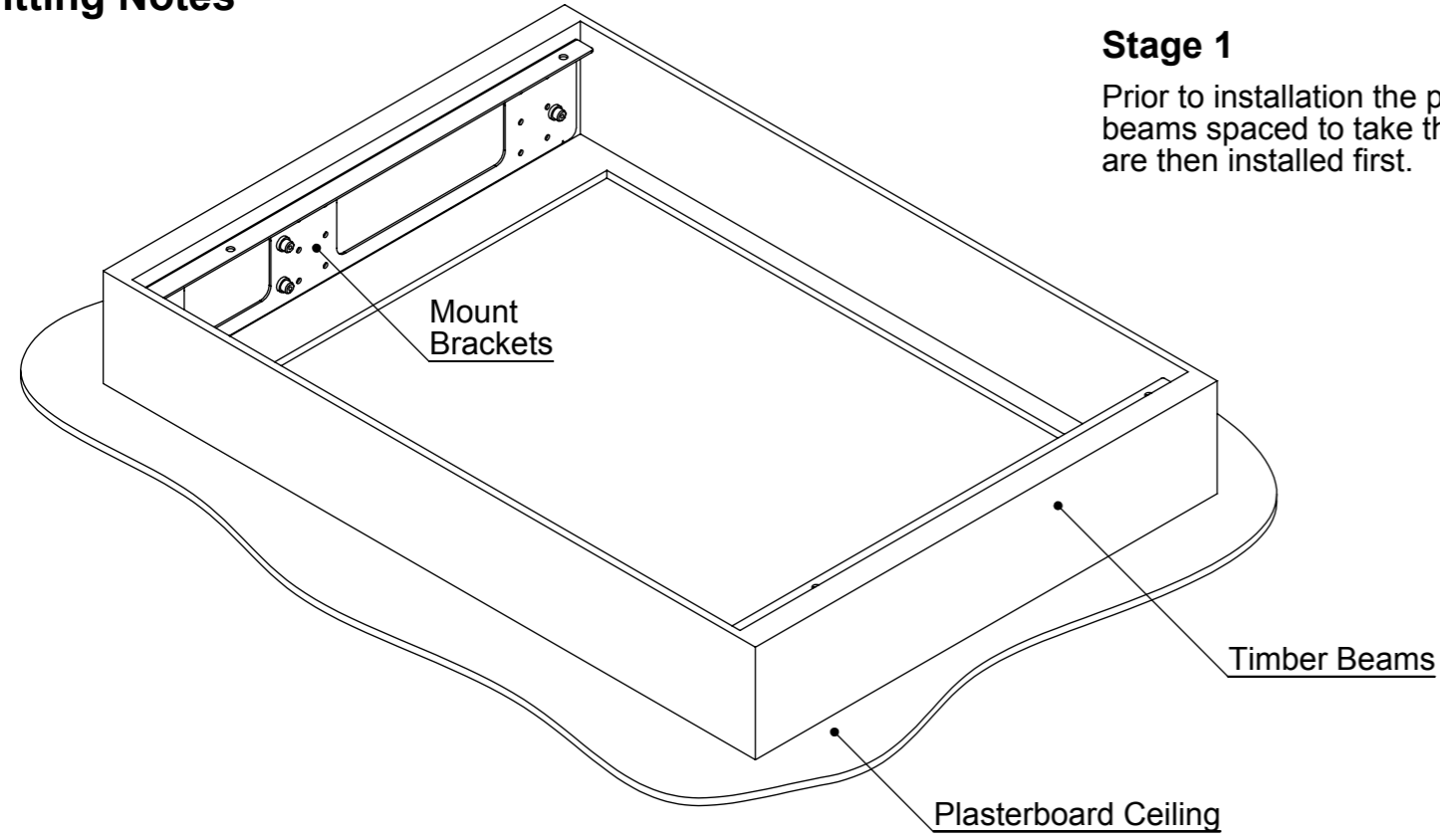
IMPORTANT

Mechanisms which lift or move weights need to be checked on a yearly basis for any damage which may result in an accident

Fitting Notes

Stage 1

Prior to installation the plasterboard can be in place with wooden beams spaced to take the mechanism. These Mount Brackets are then installed first.



Stage 2

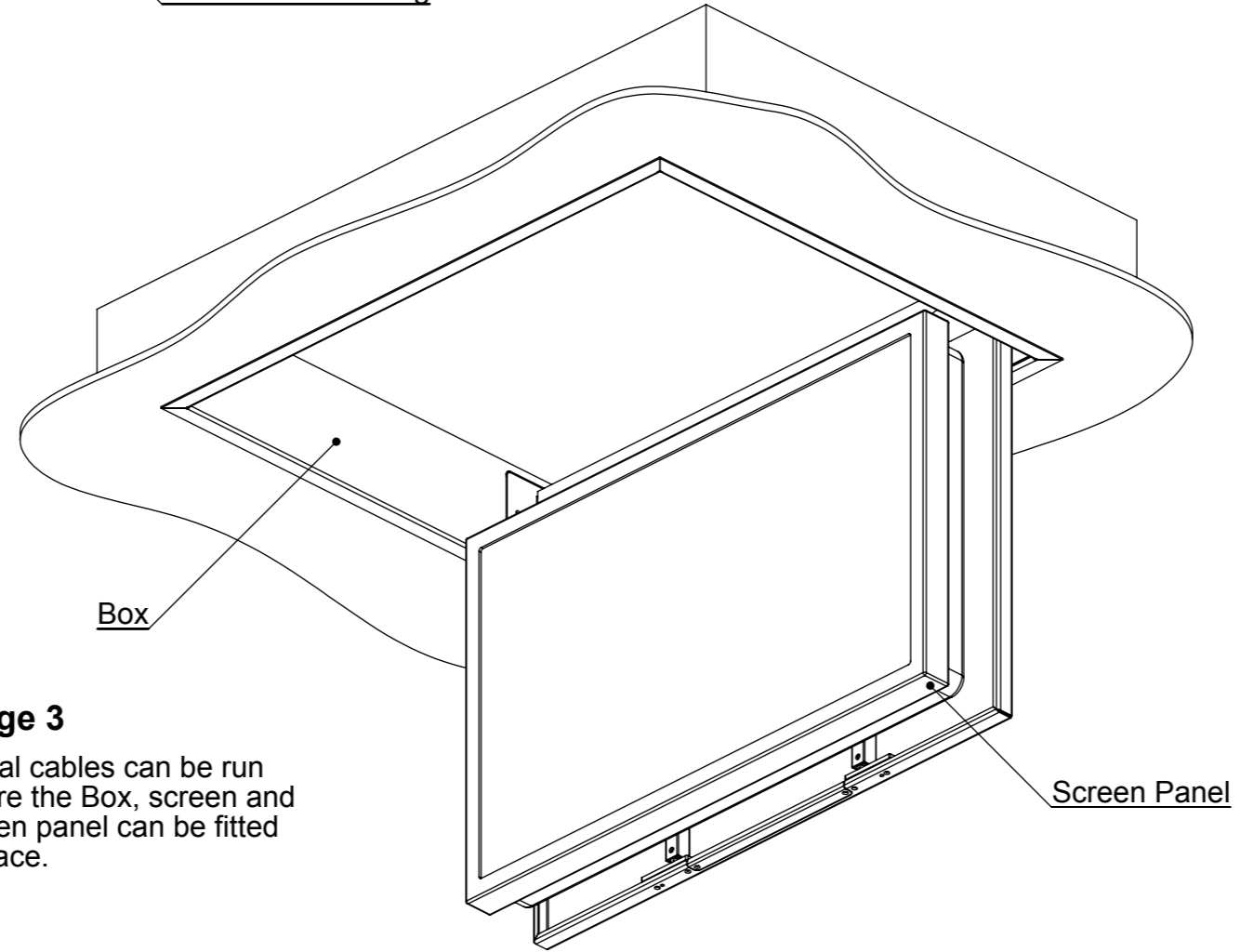
The mechanism motor assembly can be lifted into position by two people. The mechanism expands outwards to locate within the Mount Brackets.

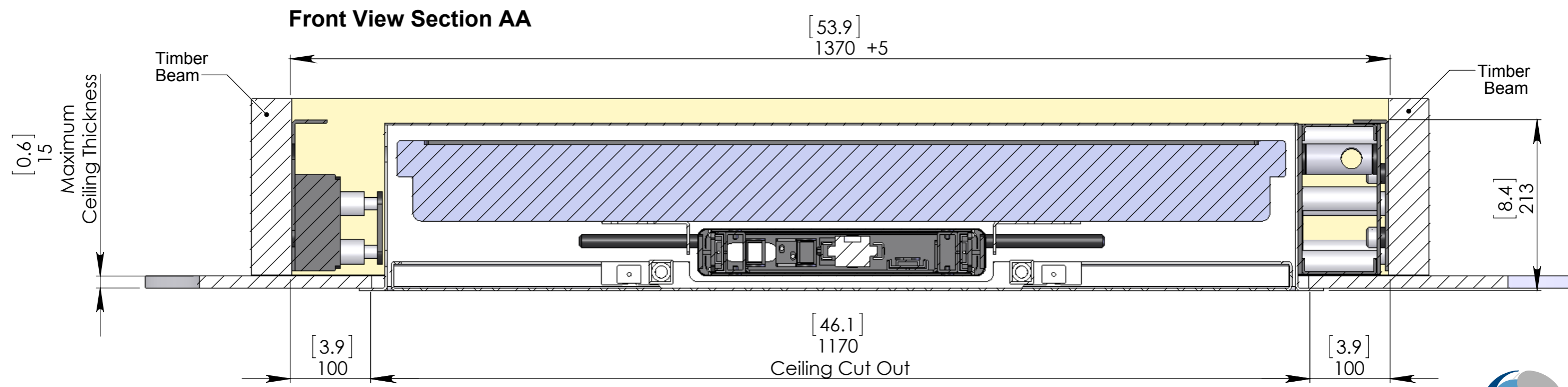
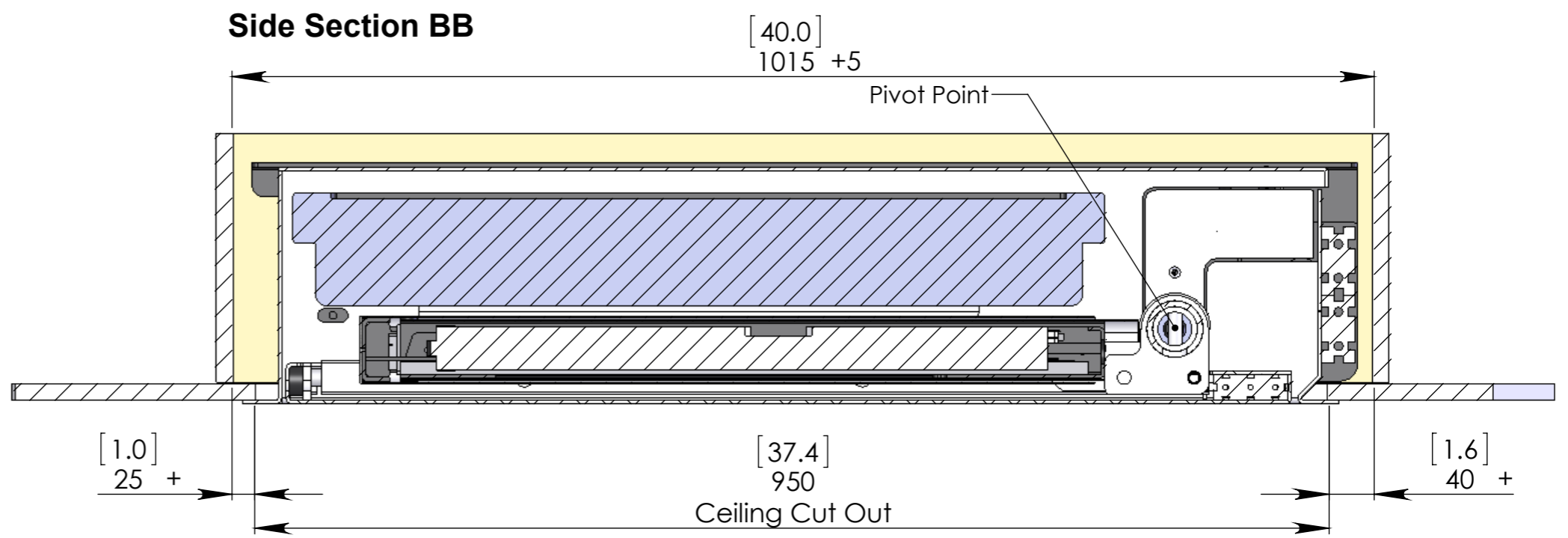
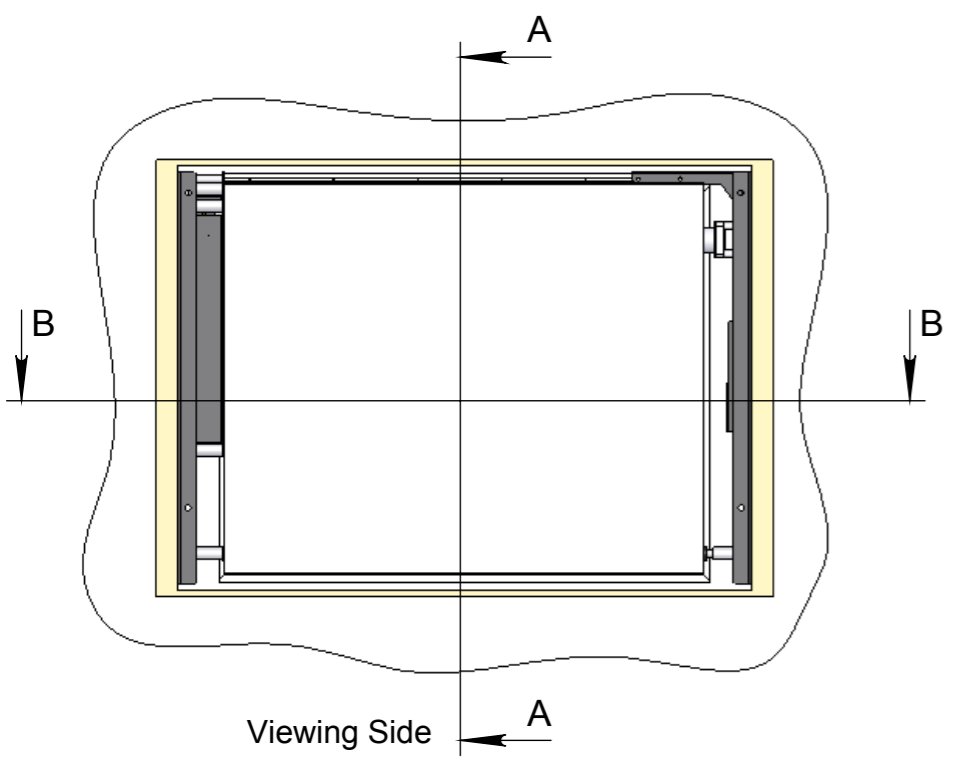


The Future Automation Ceiling Hinge has some great features to make installation as simple and quick as possible.

Stage 3

Signal cables can be run before the Box, screen and screen panel can be fitted in place.

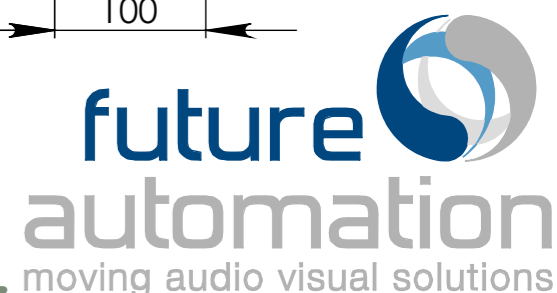


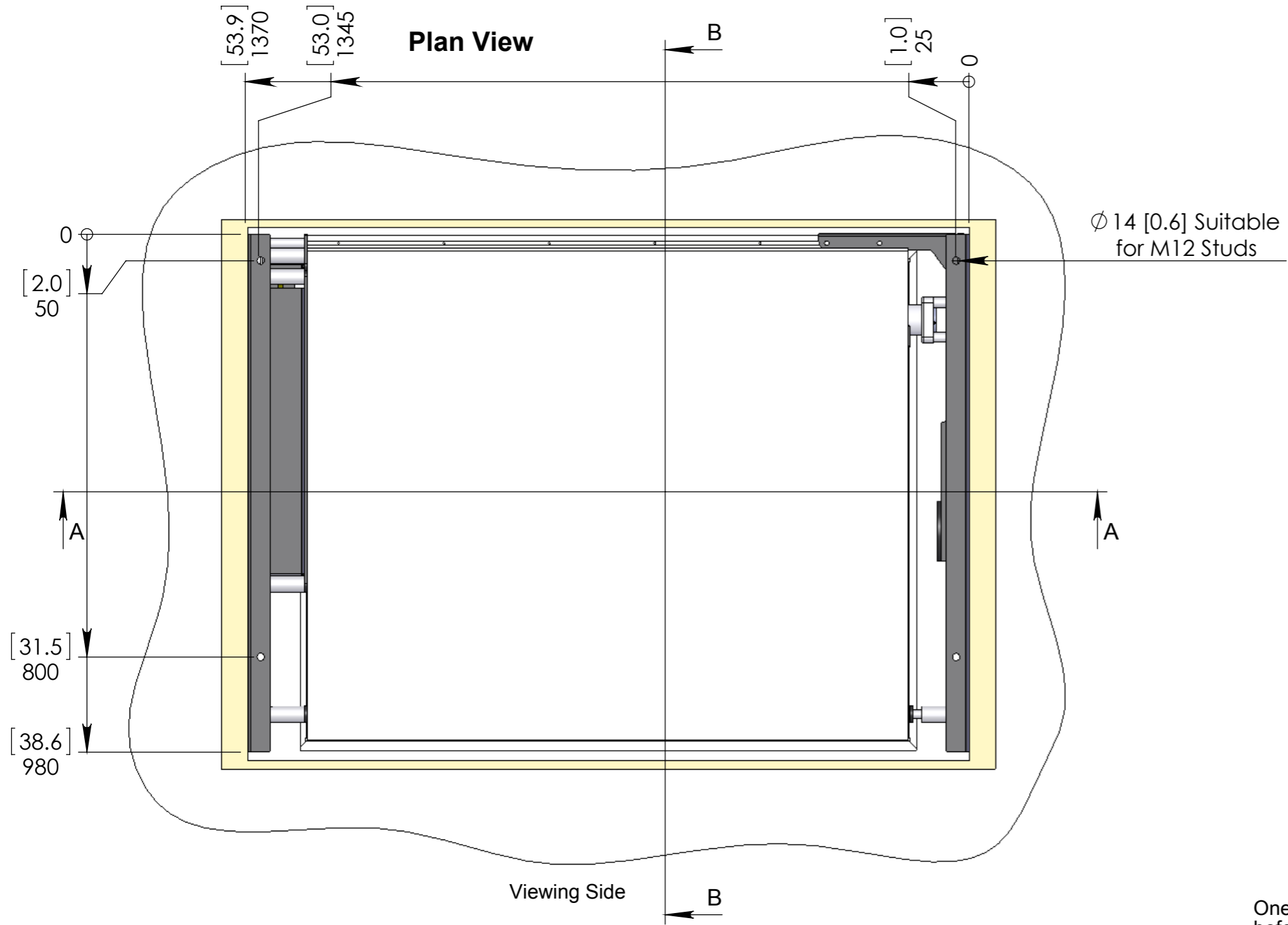


Mechanism just fixes to these timber beams at the sides

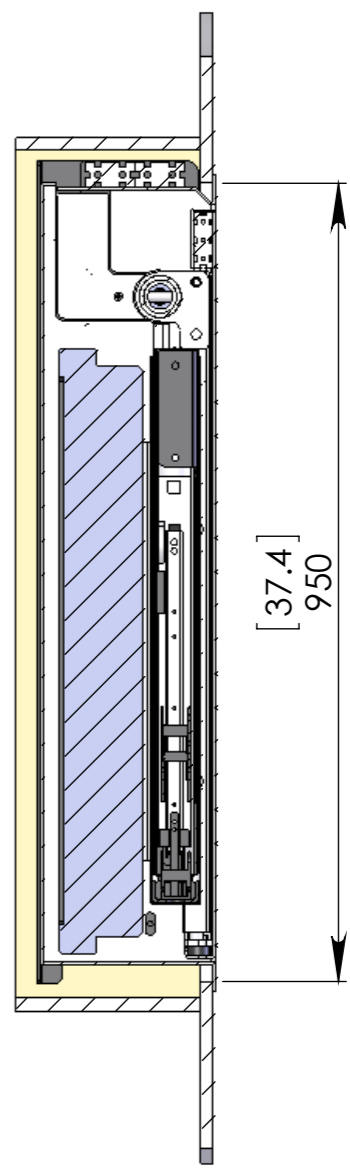
Mechanism weight is 110Kg

See CAD drawings for more dimensional information

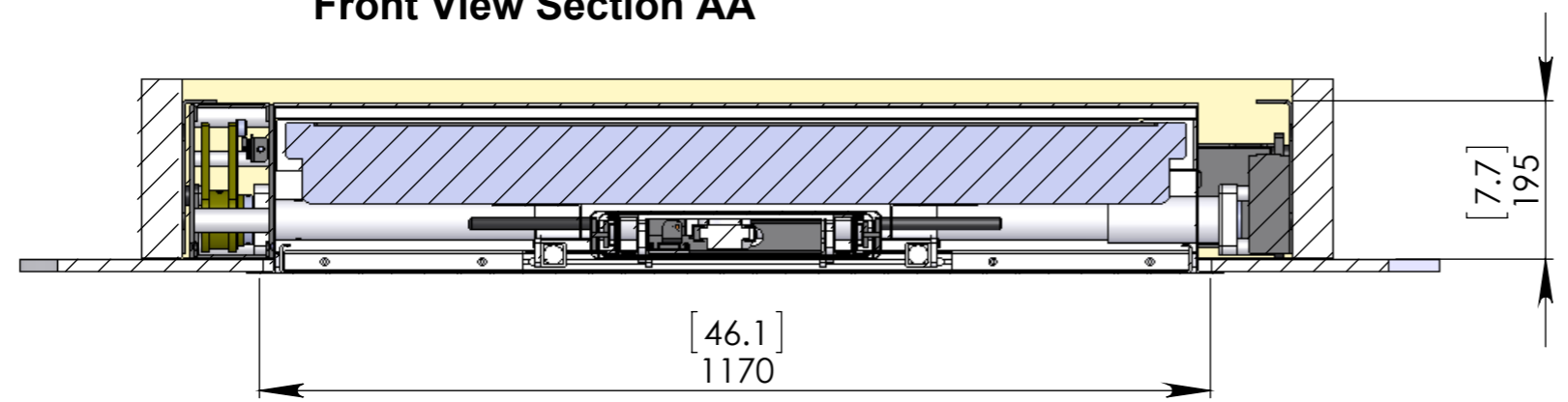




Side Section BB



Front View Section AA



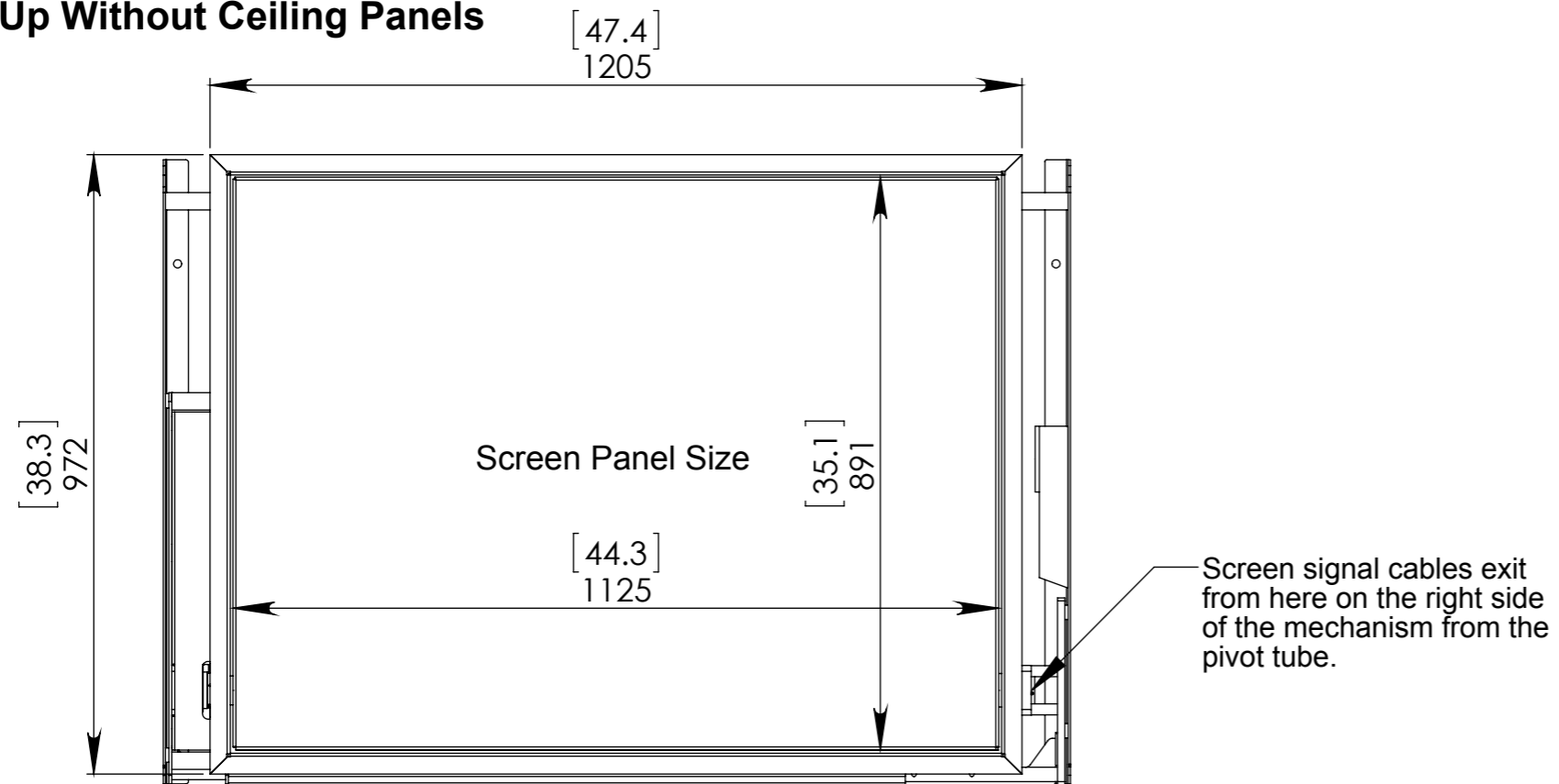
One option is to hang the mechanism from a concrete floor before the ceiling panels are finished around.

Holes are provided for four M12 studs/bolts.

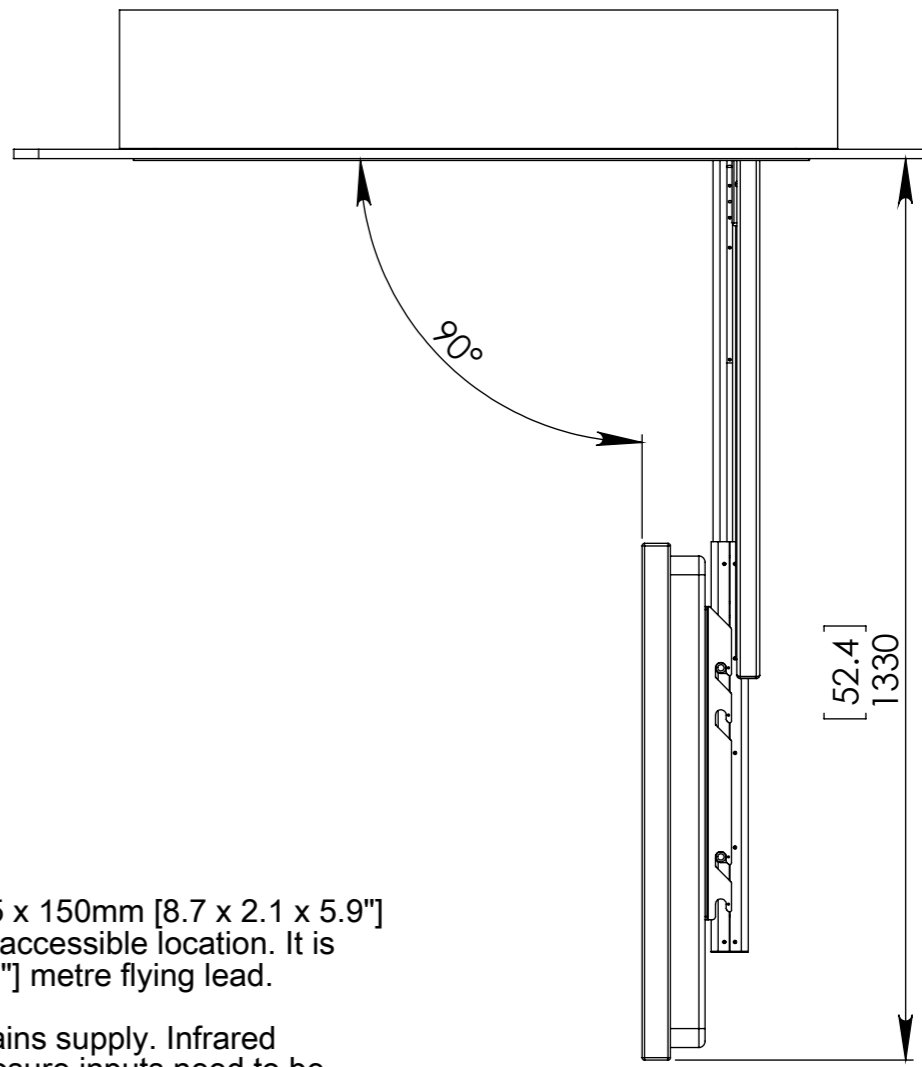
If the ceiling panels have the opening size shown then all mechanism parts will be removable and serviceable without removing the ceiling.

The screen panel would be removed first followed by the box and the whole motor unit.

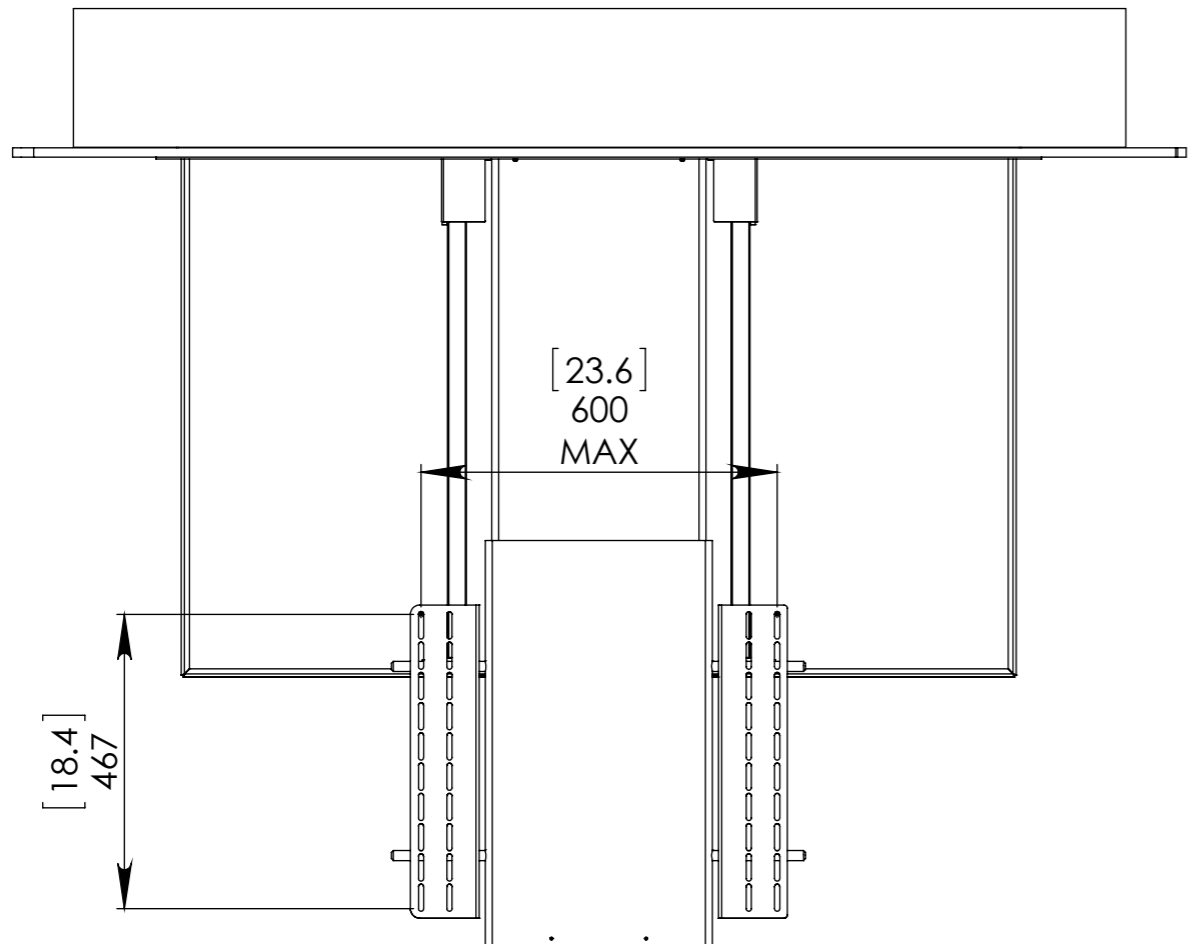
View Up Without Ceiling Panels



Side View at Max Tilt



Front View on Screen Mount



A control box 220 x 55 x 150mm [8.7 x 2.1 x 5.9"] needs to be placed in an accessible location. It is supplied on a 3 [9ft 11"] metre flying lead.

It requires a 3 amp mains supply. Infrared RS232 and contact closure inputs need to be made to this box.

The slotted screen mount will accommodate any screen with a bolt pattern up to 600mm [23.6"] wide (in 100mm increments) by 420mm [16.5"] high.