

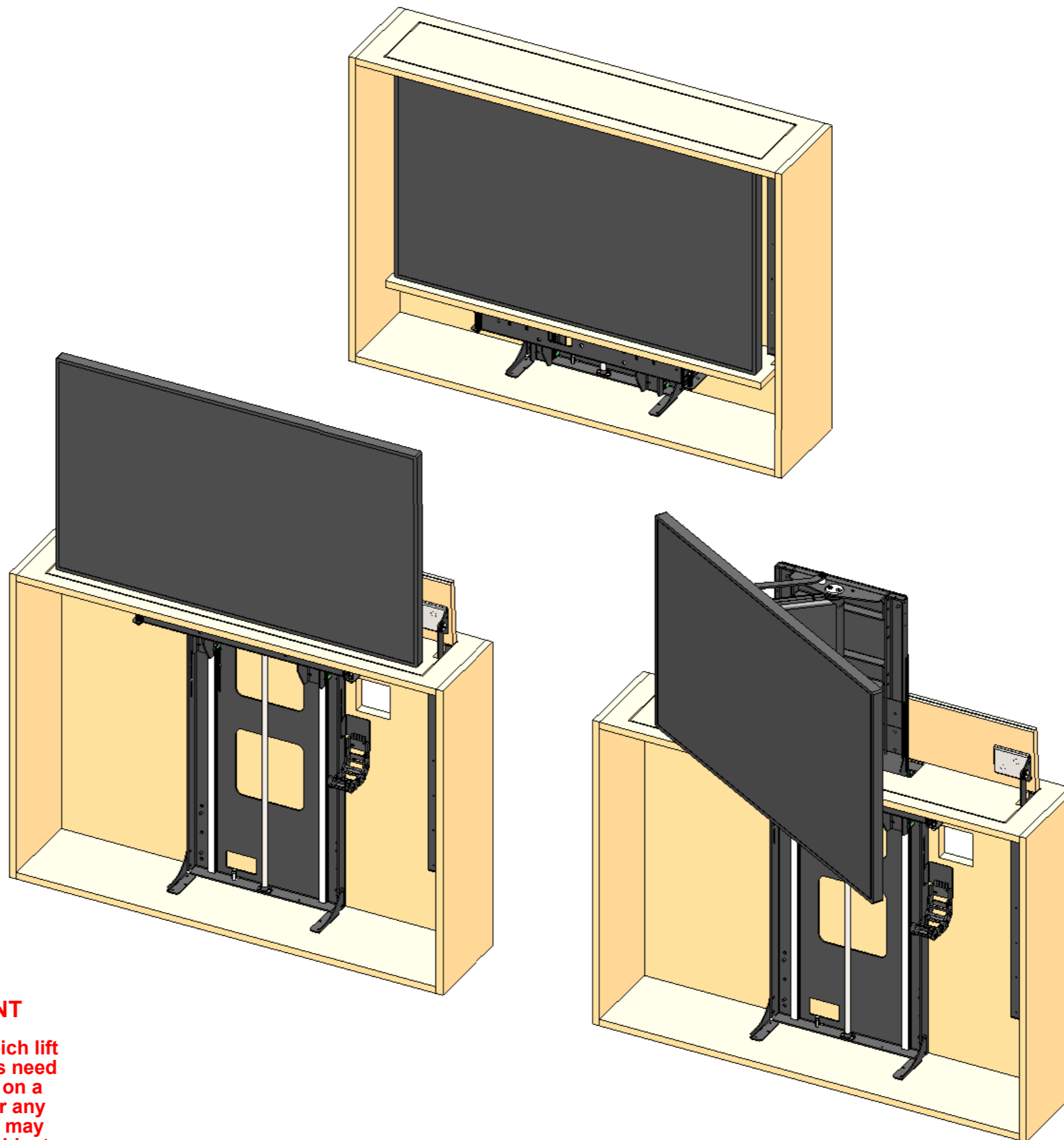


DESIGN HIGHLIGHTS

- Quiet smooth lifting action at approximately 40mm [1.6] per second
- Advance and Rotate mount allows for up to 90° of smooth and quiet screen advance and rotate motion in one direction
- Full cable management
- Wide range of mounting options
- 24V DC motor. Suitable for direct DC supply
- Robust lifting beam
- Favourite viewing positions can be programmed via the IR remote control

OPTIONS

- Top Shelf Mount (Alternative to Electric Flap)
- Clockwise or counter clockwise Advance and Rotate mount (Clockwise shown in this technical sheet)



FUNCTION

An electric mechanism to lift a flat screen television and rotate up to 90°. Shown here for use with a Heavy Duty Electric Flap.

SUITABILITY

Suitable for a total lifting weight of 30Kg [66lbs]

Maximum screen height 820mm [32.3]

Lift systems to suit different screen heights and weights are available.

This variation of the Lift System is NOT marine suitable.

SPECIFYING

Check screen mounting details and request a suitable mount plate

CONTROL

Supplied with basic infrared remote. Can be learnt by many learning remotes.

Also has switch control and RS232 so can be operated by relays, switches, Crestron / AMX or Lutron systems.

WARNING

It is the responsibility of the installer to warn all potential end users of the dangers of interfering with mechanisms during operation

IMPORTANT

Mechanisms which lift or move weights need to be checked on a yearly basis for any damage which may result in an accident

Design Highlights

A space efficient and robust lifting mechanism.

A robust 24V DC motor with a purpose made lead screw enables a quiet and smooth lifting action at approximately 40mm [1.6] per second.

The Advance and Rotate mount allows the screen to be advanced and rotated to an angle of up to 90 in one direction°. Favourite viewing positions can be programmed via the IR remote control.

The Hinge Flap Unit is a powerful flap hinging solution. It eliminates the need for a lid or box to be mounted around the screen.

High precision linear guideways ensure stability and durability of the beam to prevent any unwanted movement of the screen.

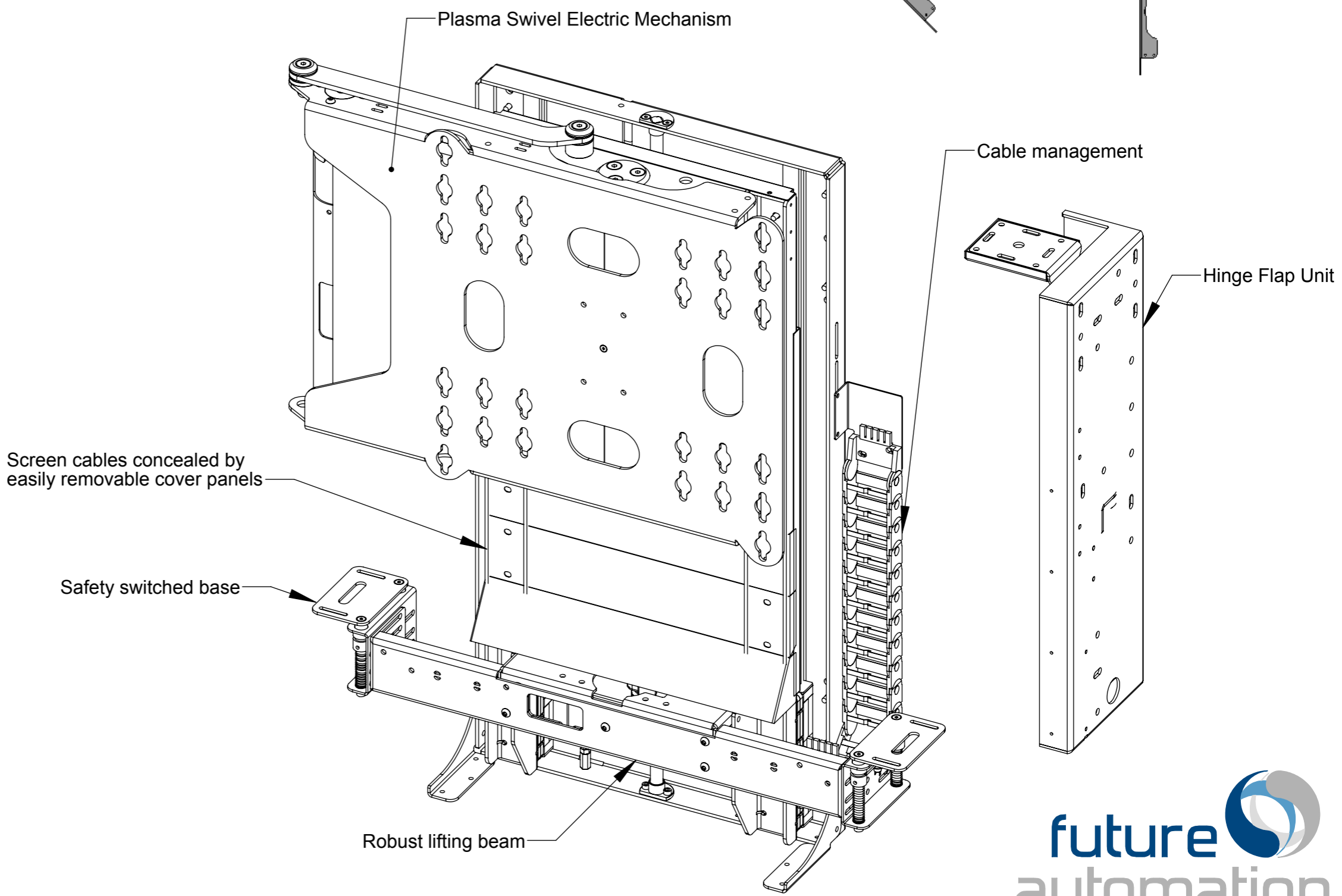
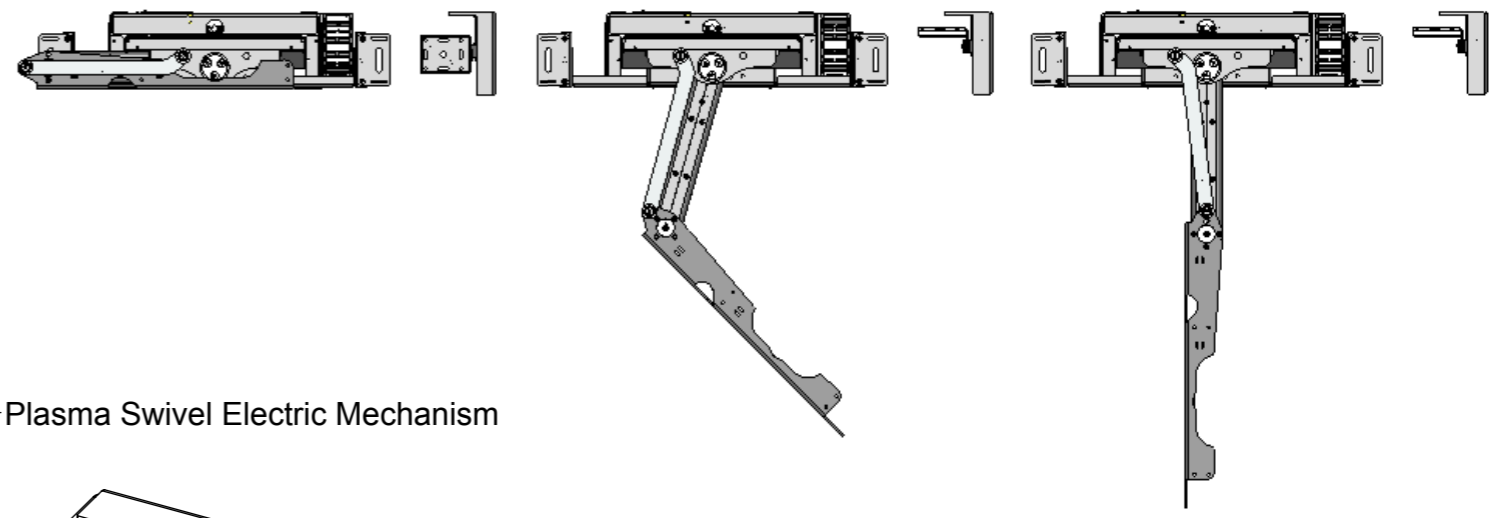
Adjustable UP and DOWN positions allow for a precise final setup within the cabinet.

The safety switched base reduces the risk of damage to the mechanism or injury to the user by cutting power to the motor when there is an obstruction between the cabinet and base panel.

Full cable management protects all screen and power cables from damage and is easily accessible for future changes to the AV setup.

A wide range of mounting options are available to suit different screens and speaker arrangements.

Super quiet and smooth action from parallel to cabinet / wall out to 90 maximum movement.

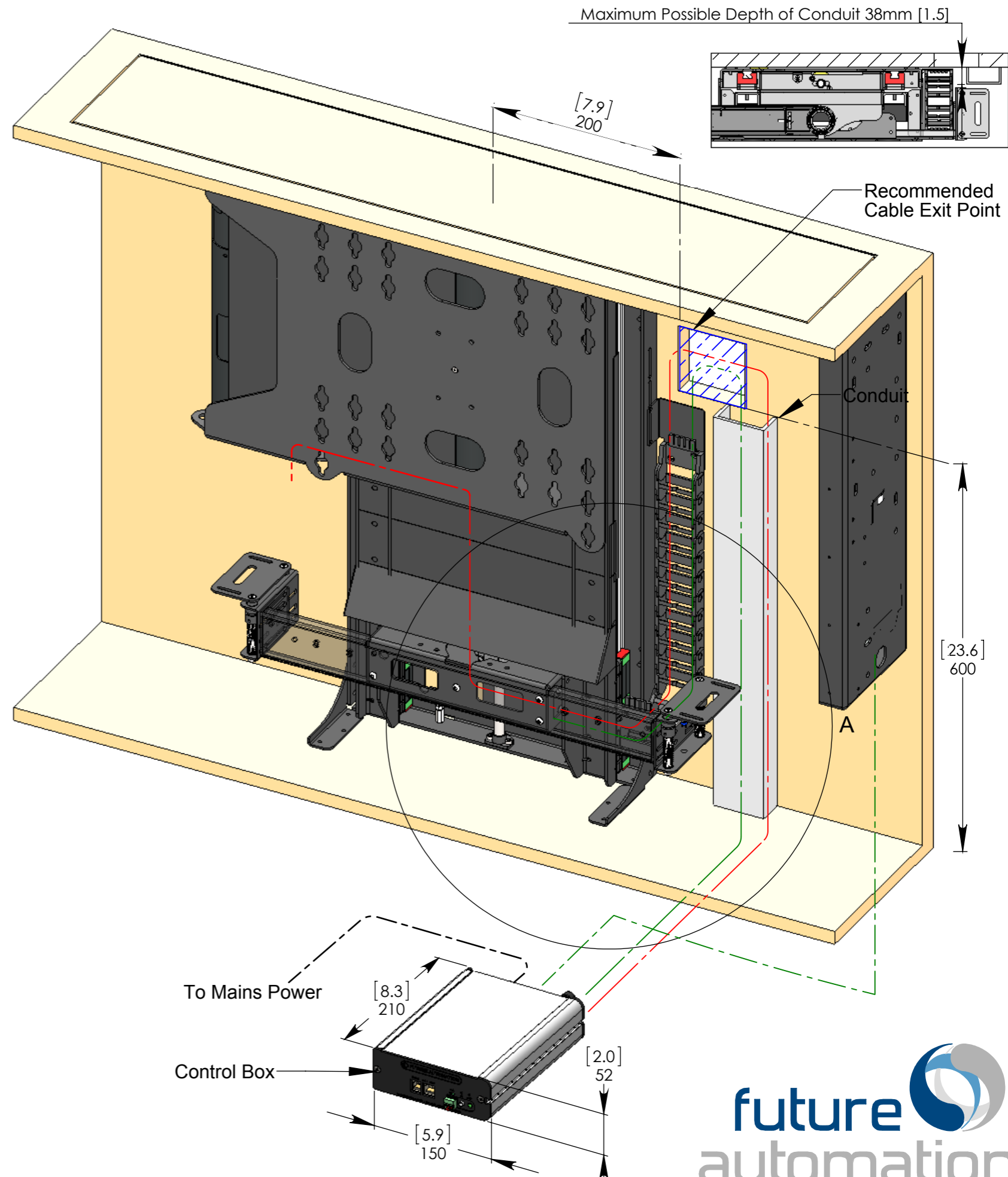
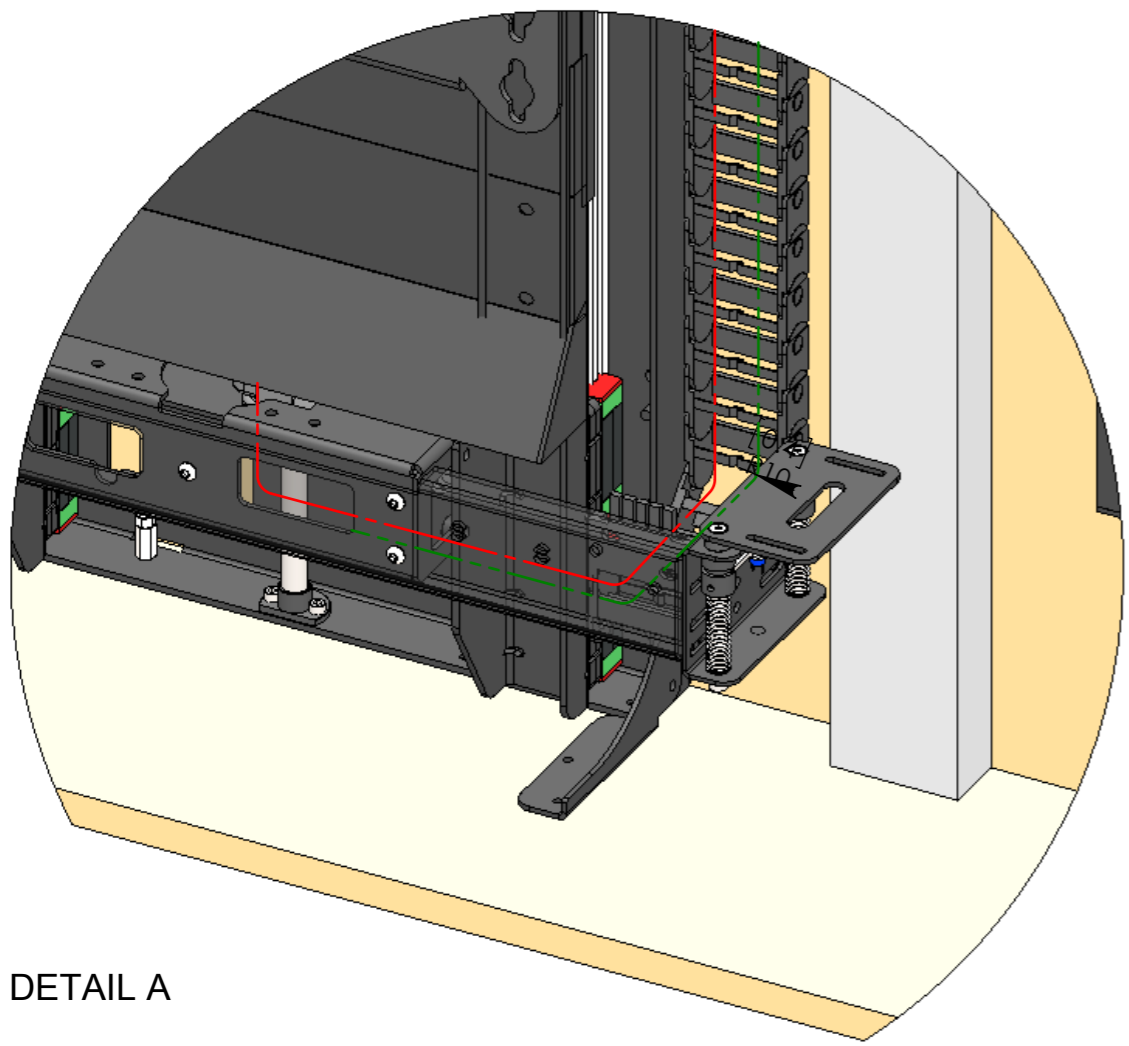


Cable Routing

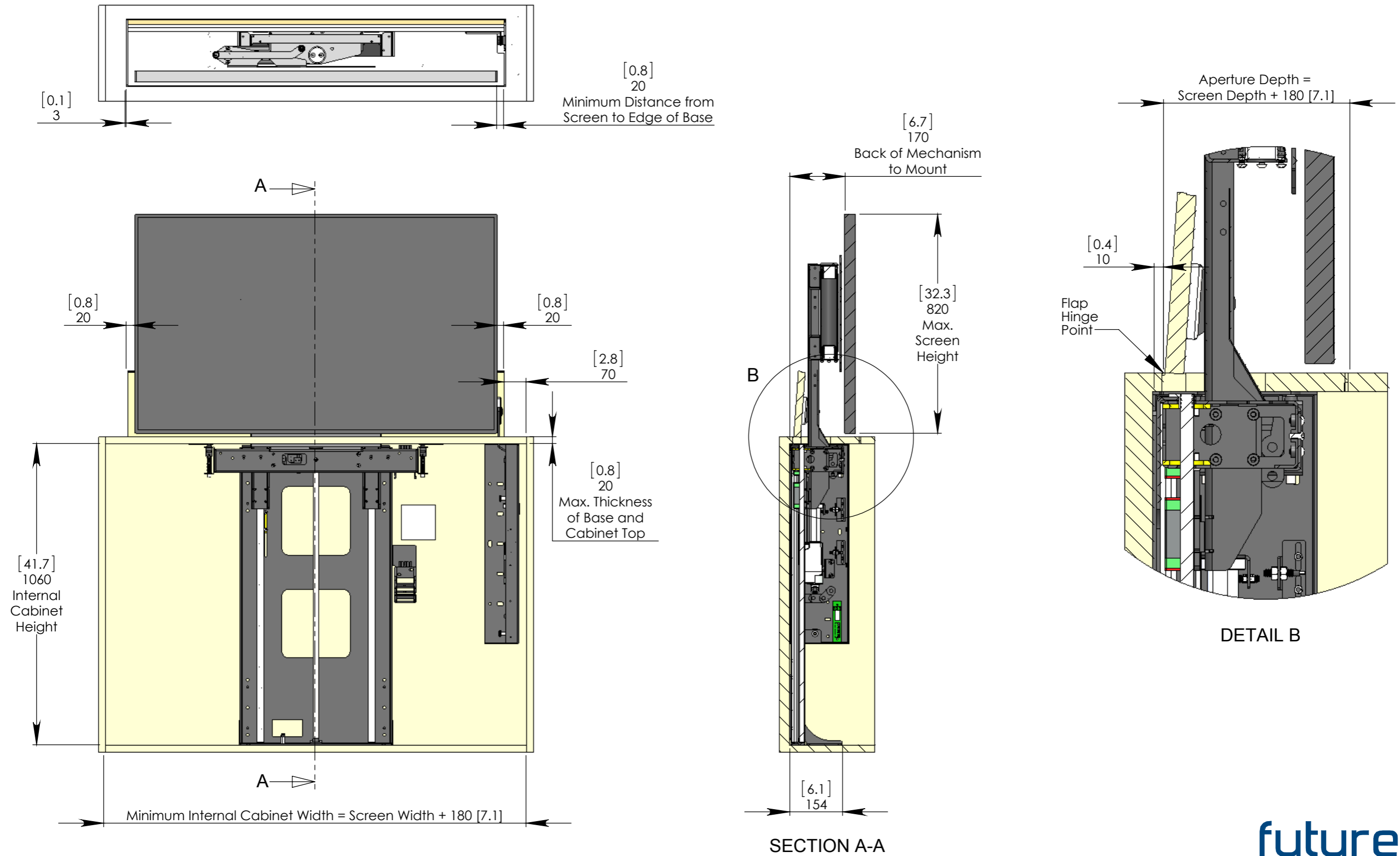
All the power and signal cables for screen and mechanism can be concealed within the Advance and Rotate mount and the lifting beam. Cables must be routed carefully to prevent any interference with the lifting beam as it operates.

Screen and Mechanism cables should be routed to a control box outside of the cabinet via an opening in the back of the cabinet or a conduit leading to the bottom.

- SCREEN CABLE
- MECHANISM CABLE
- POWER CABLE

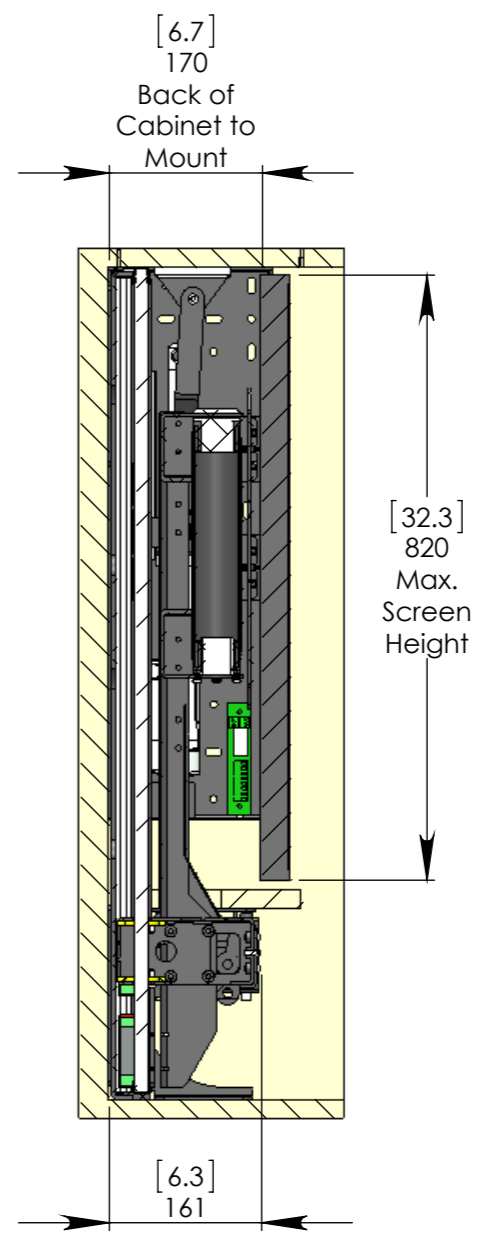
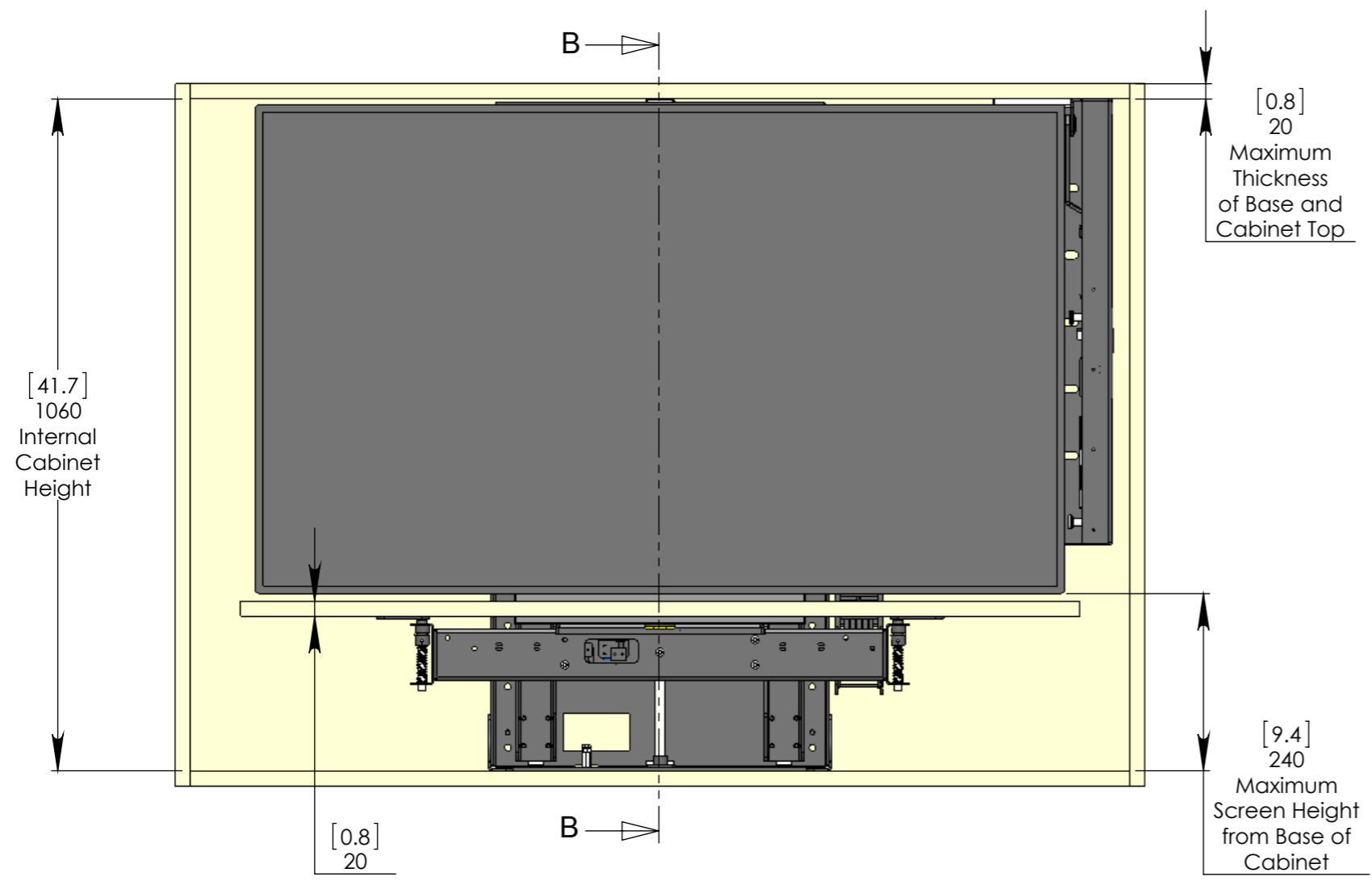
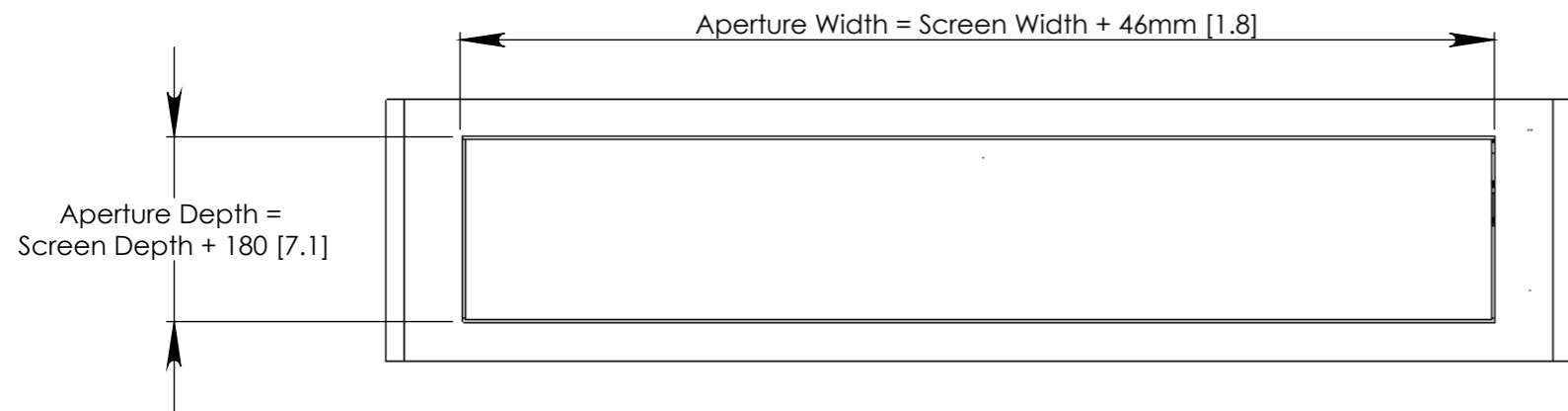


Mechanism Up - In Cabinet



IMPORTANT: Thicker cabinet tops will require a reduced maximum screen height

Mechanism Down - In Cabinet



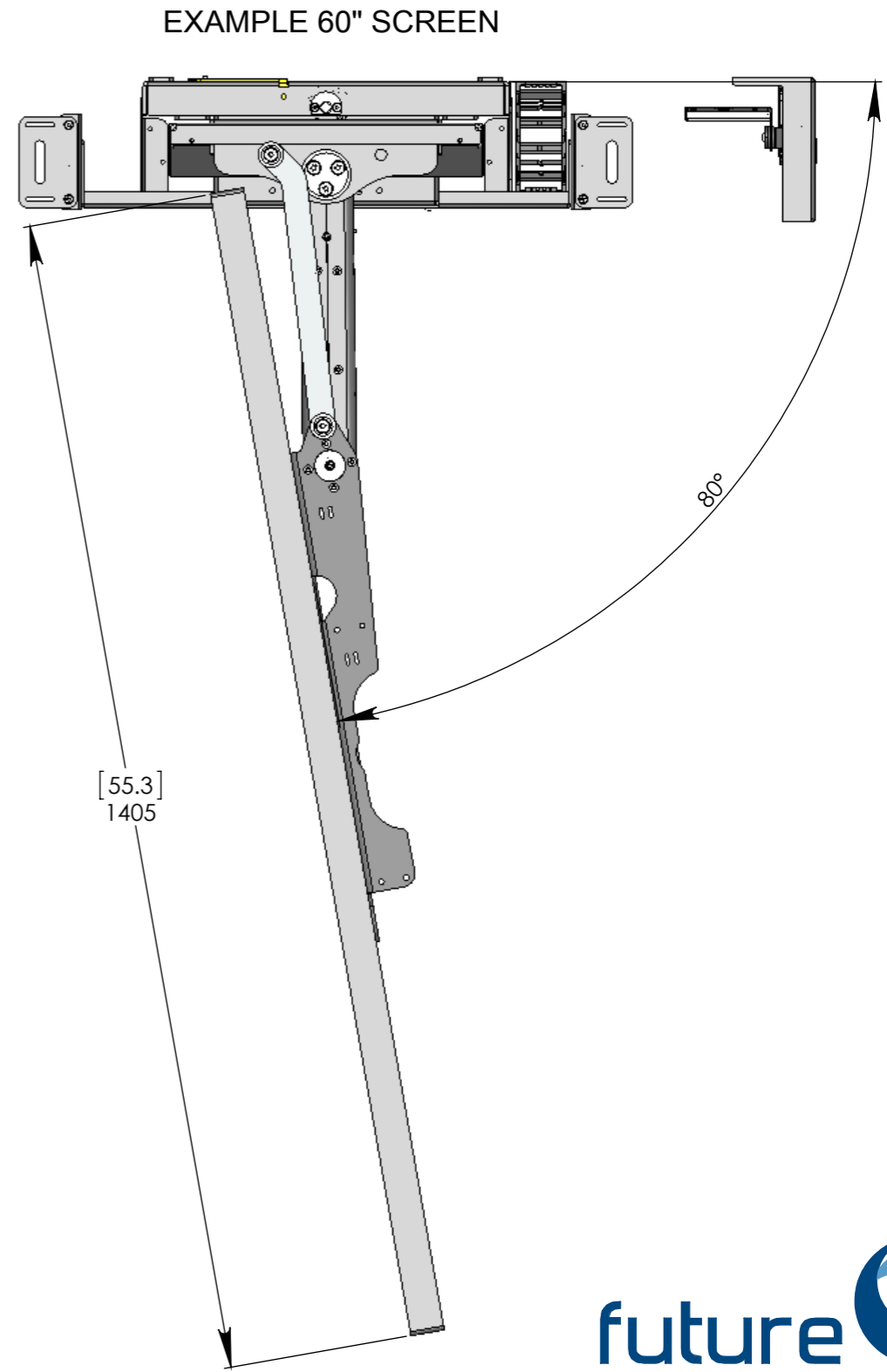
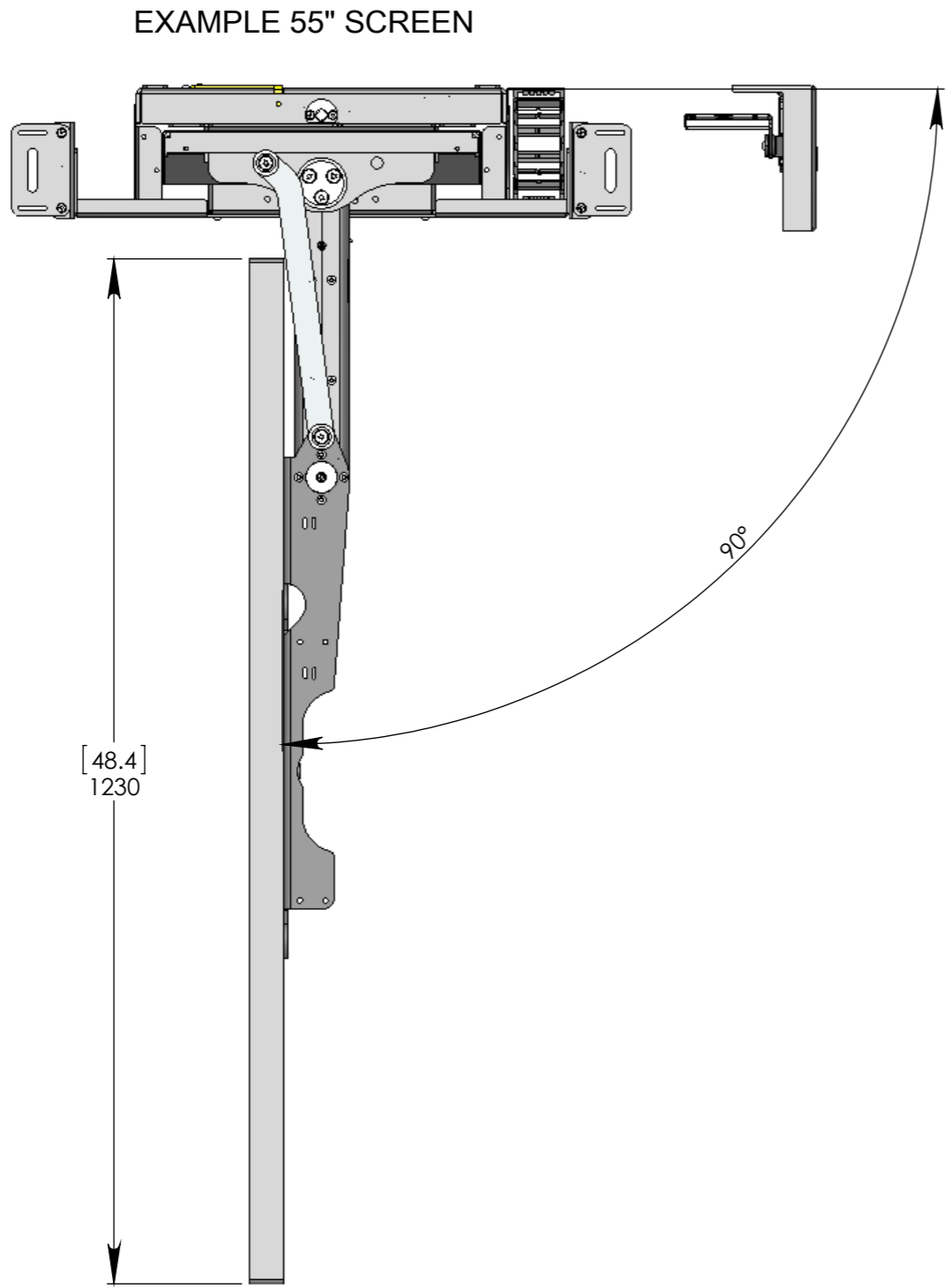
SECTION B-B

IMPORTANT: Thicker cabinet tops will require a reduced maximum screen height

PSE90 Rotation

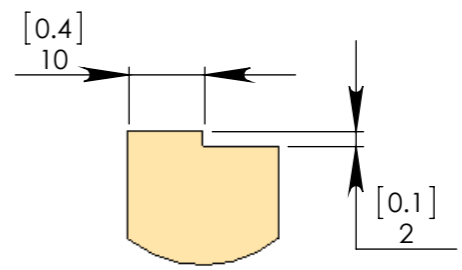
When it is not a requirement to achieve 90° of screen rotation, the PSE90 can be used to mount larger screens.

Screens with a width of over 1400 [55.1] will not typically be able to achieve the full 90° of rotation as they will come into contact with the Lift System.



Base Panel and Flap Panel Details

Flap depth dimensions are based on a 3mm thick piano hinge
 Required flap dimensions may vary dependant on the hinge used

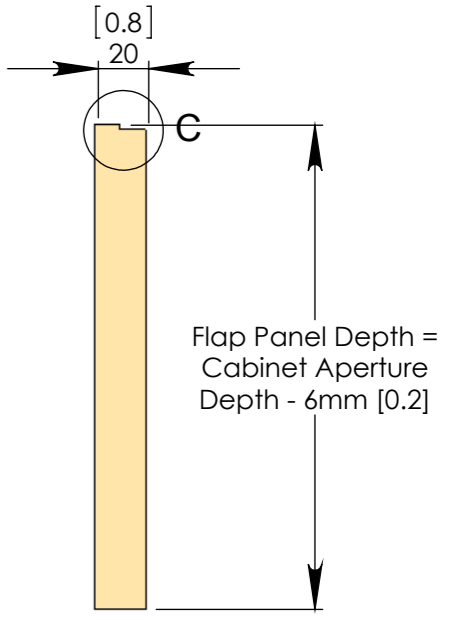
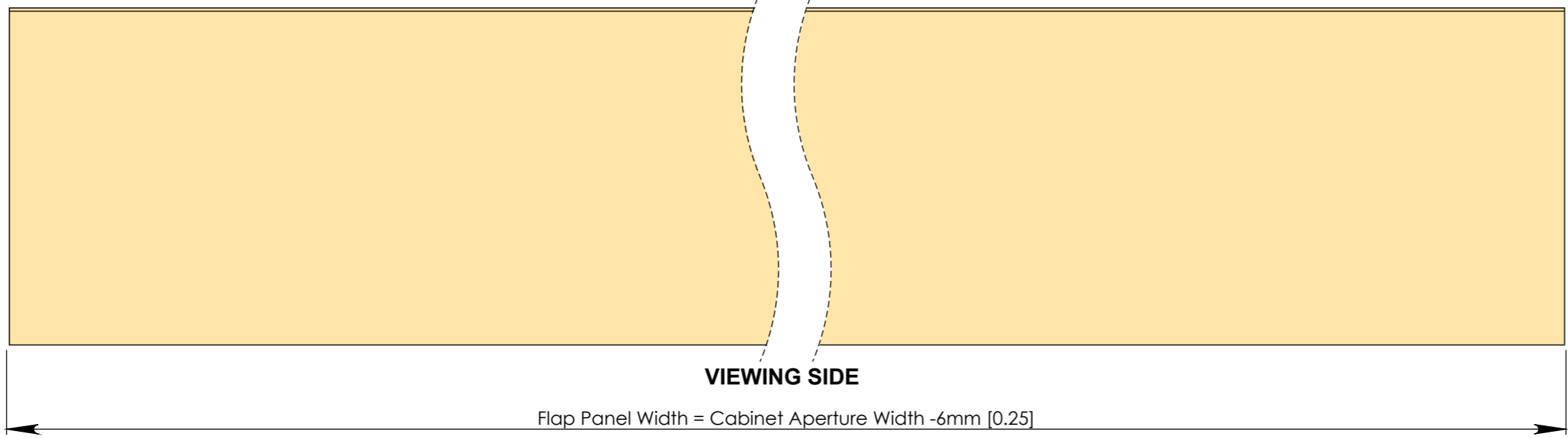


A step is required on the front of the flap to meet a step in the front edge of the cabinet aperture.

FLAP PANEL - BOTTOM VIEW

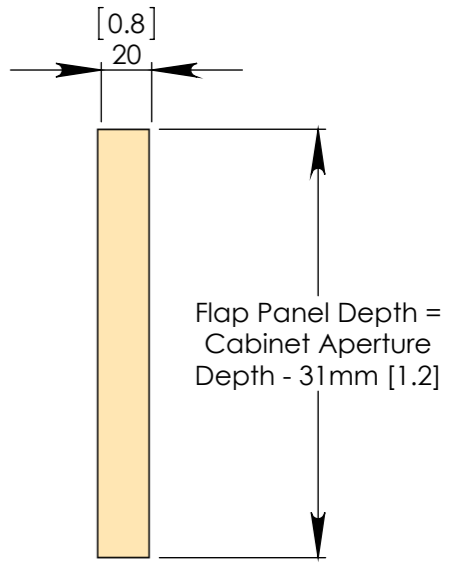
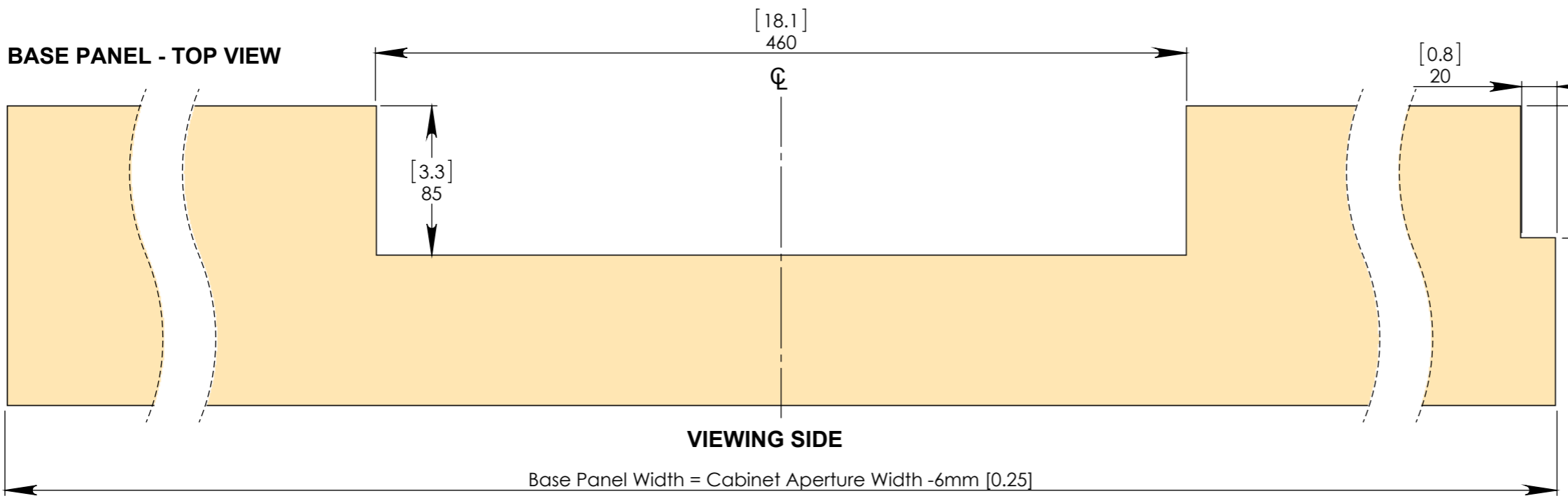
HINGE SIDE

DETAIL C



BASE PANEL - TOP VIEW

VIEWING SIDE



Screen Mount Adjustability

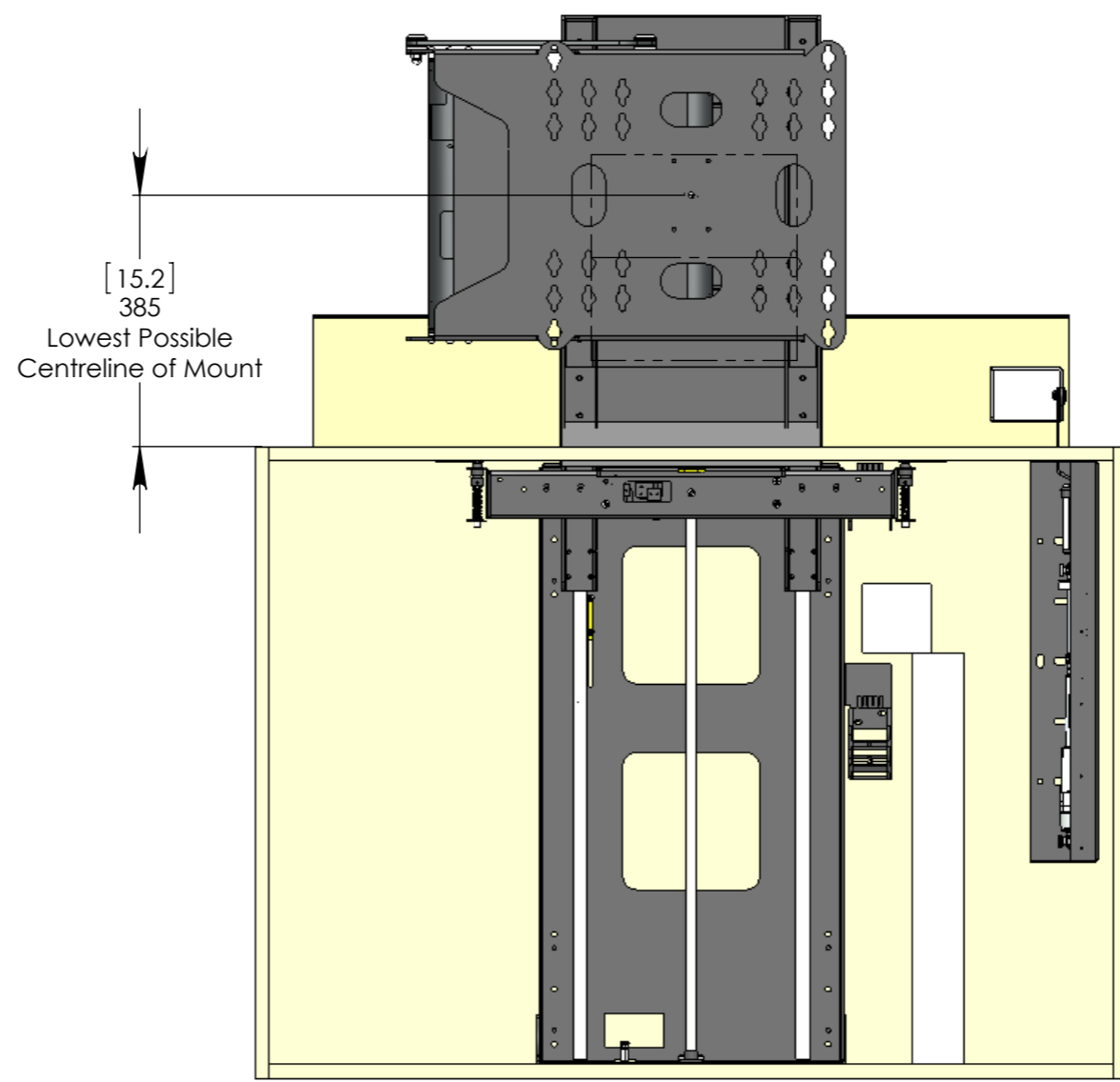
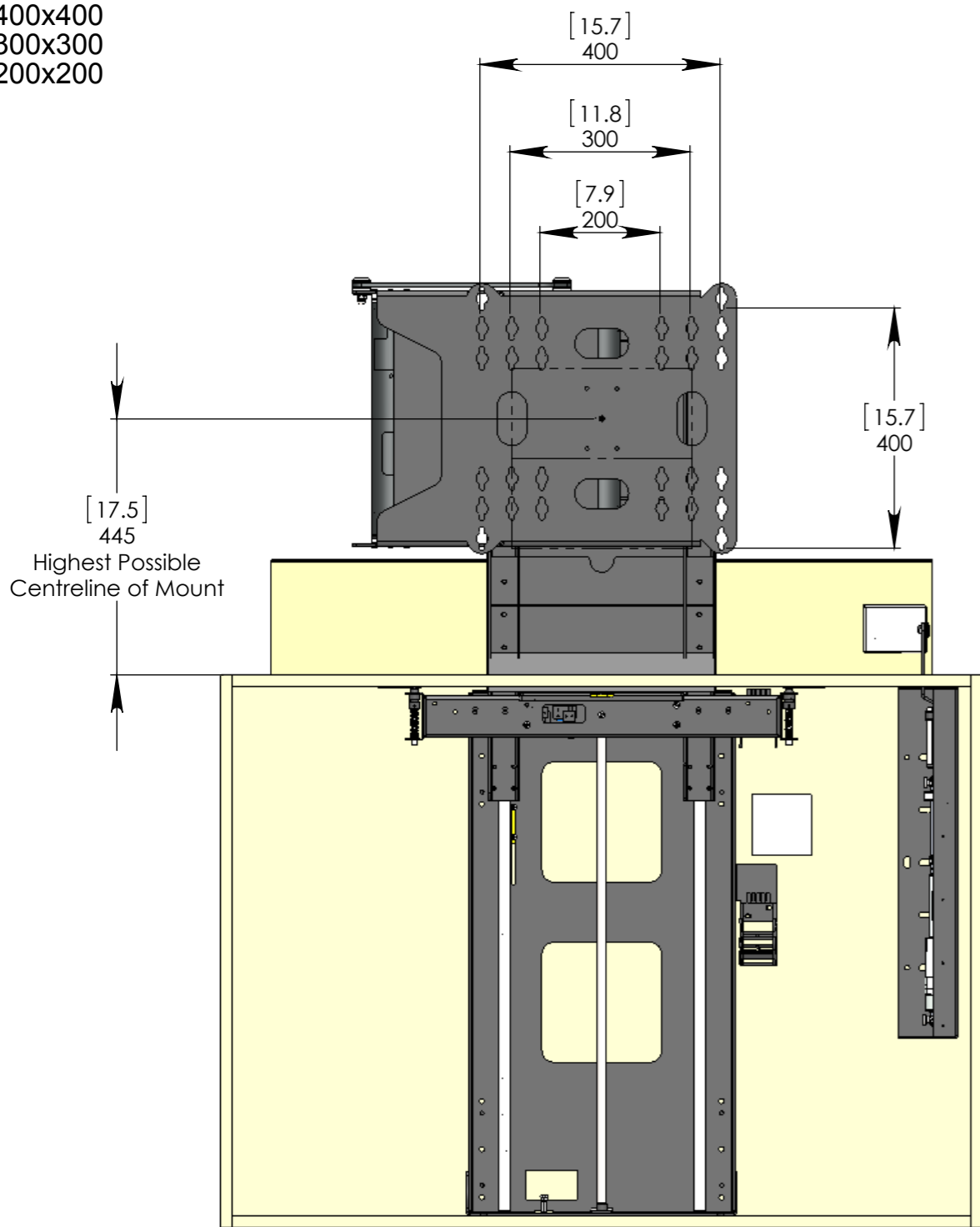
The standard PSE90 Mount is a VESA 400 Mount Plate compatible with VESA patterns:

- 400x400
- 300x300
- 200x200

ADAPTER PLATES
Adapter plates for the PSE90 are available for the following VESA patterns

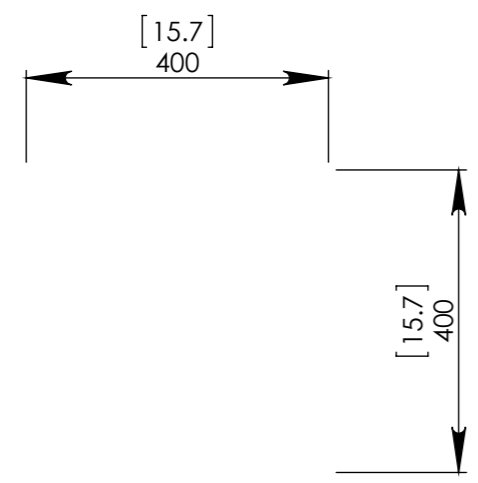
- 684x300
- 660x320
- 600x400
- 500x300

The adapter plate adds 10mm [0.4] depth to the mechanism. This should be considered when calculating the Cabinet Aperture Depth.



Overall Mechanism Dimensions

MECHANISM - UP POSITION



MECHANISM - DOWN POSITION

