



DESIGN HIGHLIGHTS

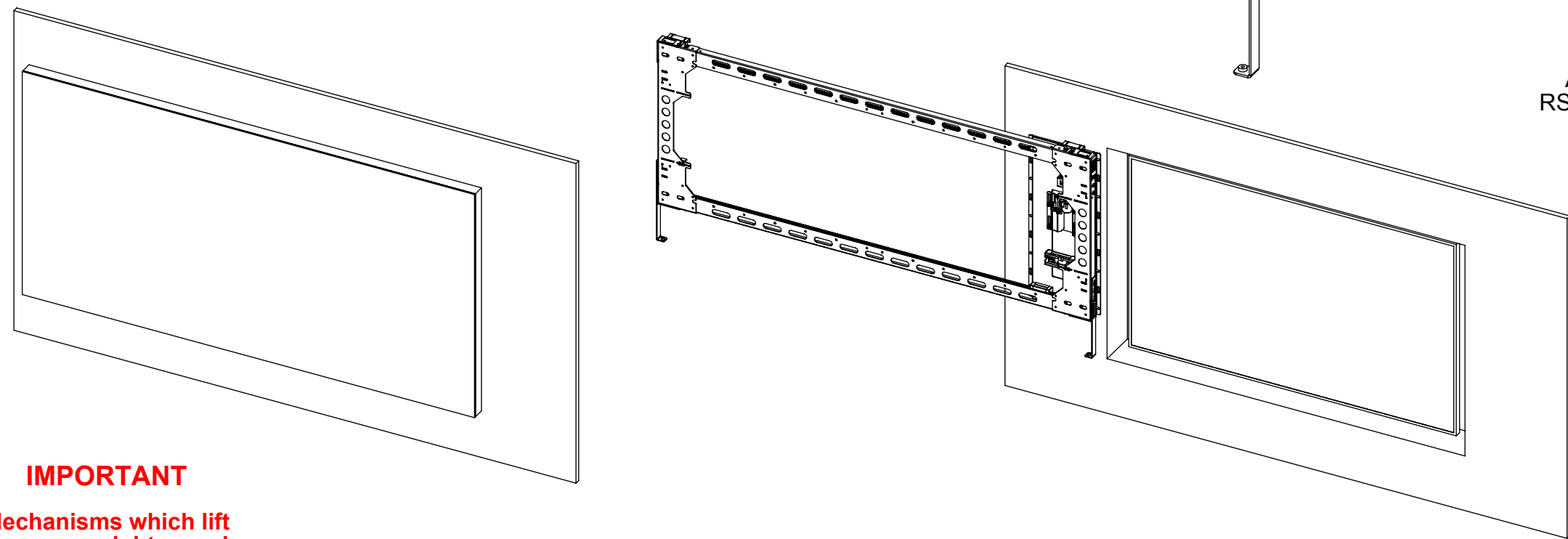
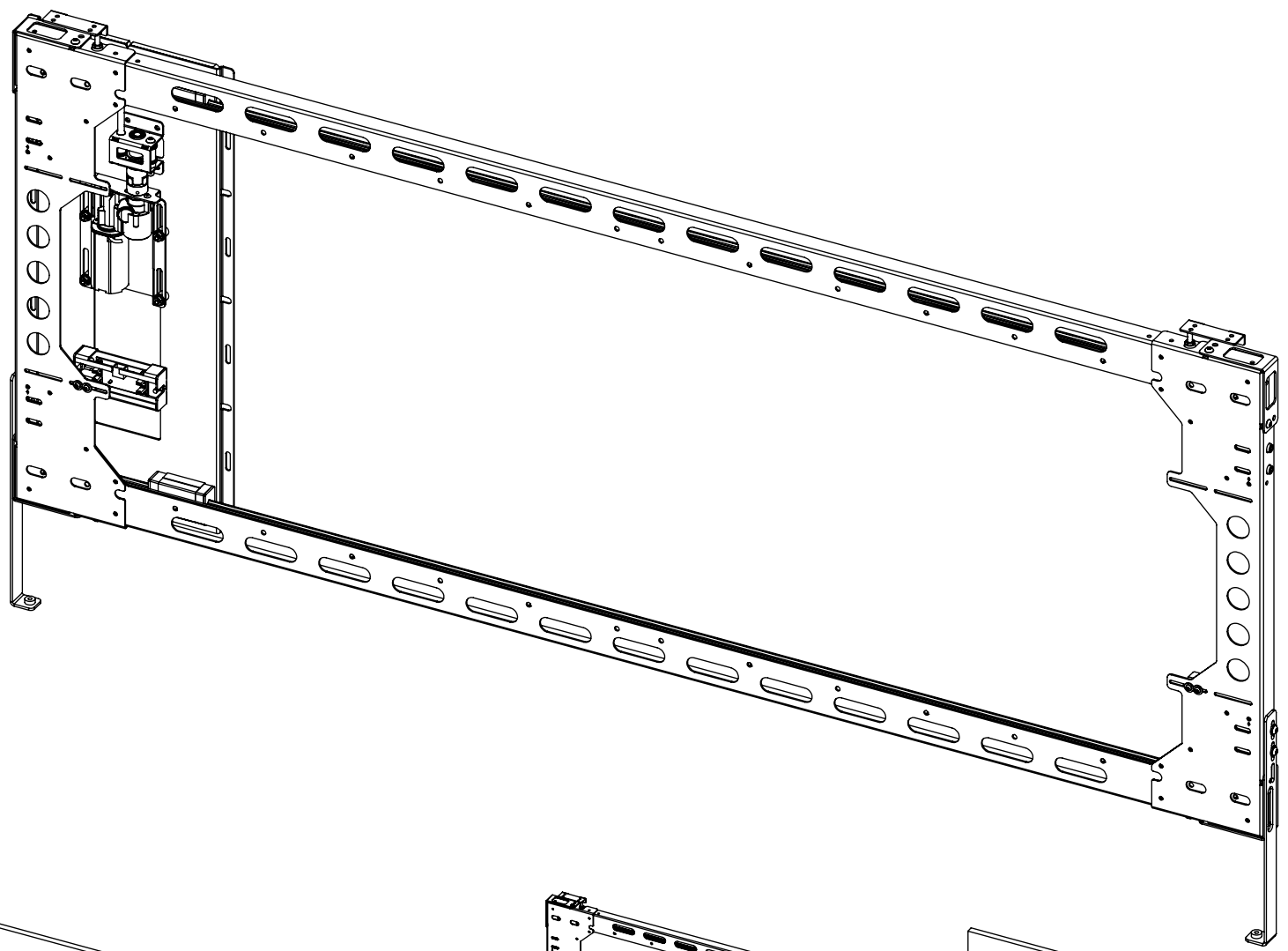
- Quiet, smooth action with a 'ramped' start and finish motion profile
- Surface mounted design for simplified installation
- Vibration isolated components
- Easy adjustment of mechanism end stops
- Sophisticated electronics help prevent 'finger trapping'

OPTIONS

- Other size mechanisms (for screens between 42" and 65") are available

NOTE

- All dimensions are measured in mm [in].



FUNCTION

This mechanism will open a panel to reveal a screen behind. The mechanism could be used to reveal any recessed item, such as a safe or hi-fi equipment.

SUITABILITY

This technical sheet is for the smallest version of the mechanism. It is typically suitable for screens up to 55". See recess size for restrictions.

SPECIFYING

The mechanism requires the screen to be recessed into the wall.

Maximum panel weight is 10kg [22.0lb].

CONTROL

Supplied with basic infrared remote. Can be learnt by many learning remotes.

Also has switch control and RS232 so can be operated by relays, switches, Crestron / AMX or Lutron systems.

WARNING

It is the responsibility of the installer to warn all potential end users of the dangers of interfering with mechanisms during operation

IMPORTANT

Mechanisms which lift or move weights need to be checked on a yearly basis for any damage which may result in an accident



Recess Details

CABLES:

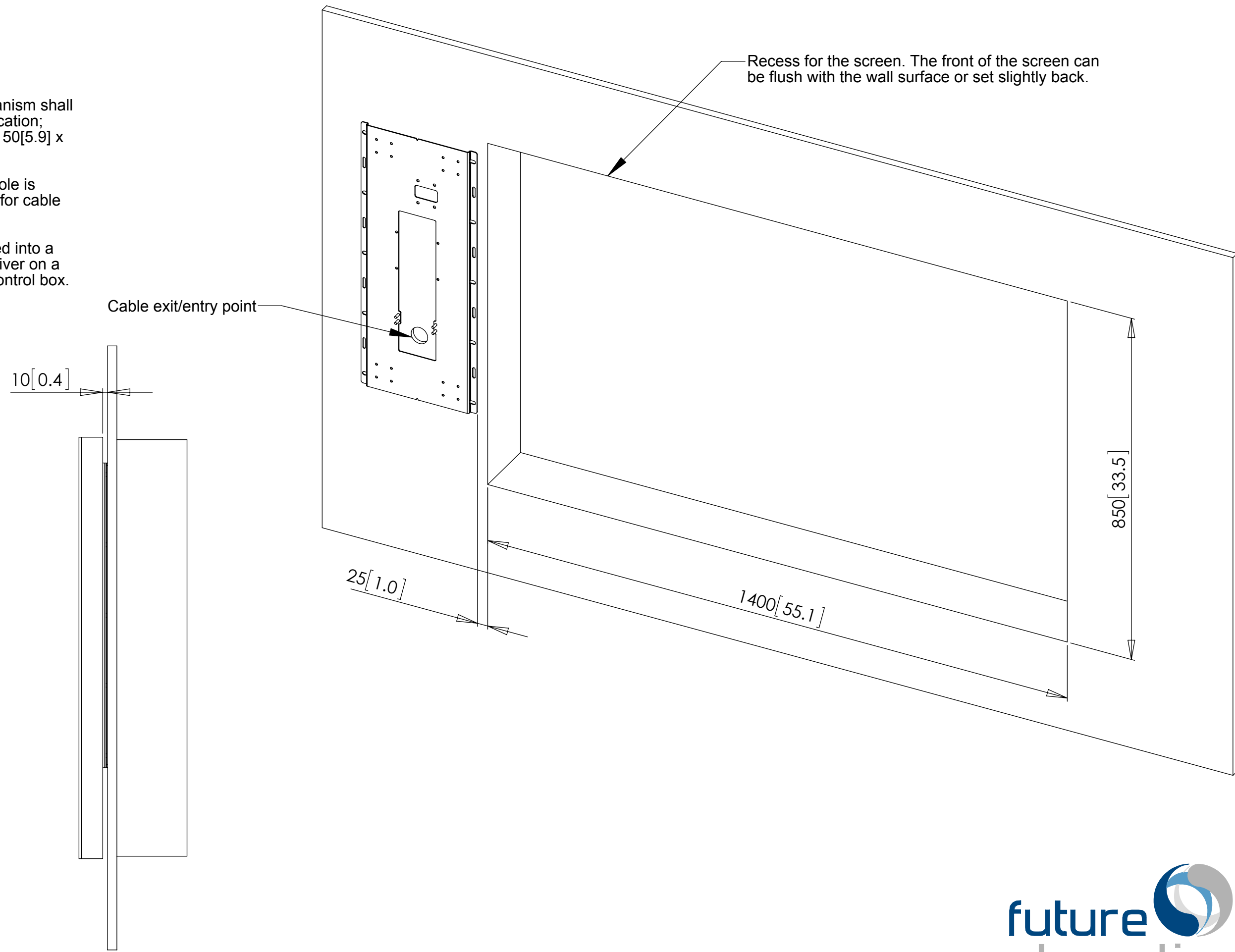
During installation, cables from the mechanism shall be required to run to a suitable storage location; connecting to the control box (200[7.9] x 150[5.9] x 50[2.0]).

A nominal $\phi 40\text{mm}[1.6]$ cable entry/exit hole is recommended to provide suitable access for cable routing.

The control box shall need to be connected into a mains (13A) plug socket. An infrared receiver on a 1.5m[59.1] lead is also plugged into the control box.

PANEL:

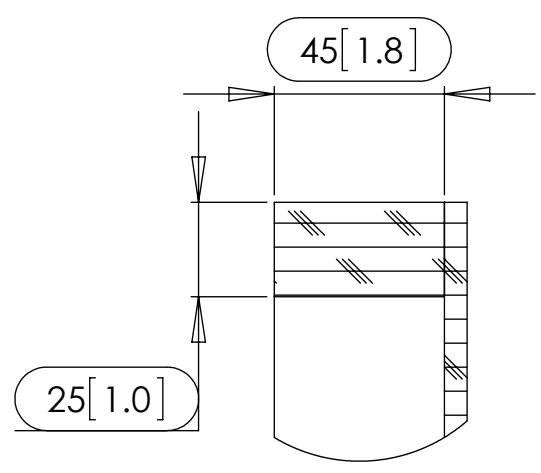
The moving panel shall be 10mm[0.4] proud of the wall surface.



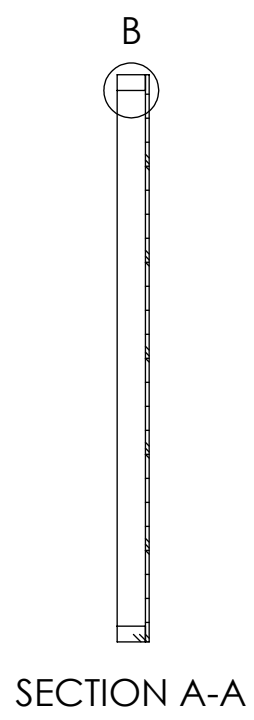
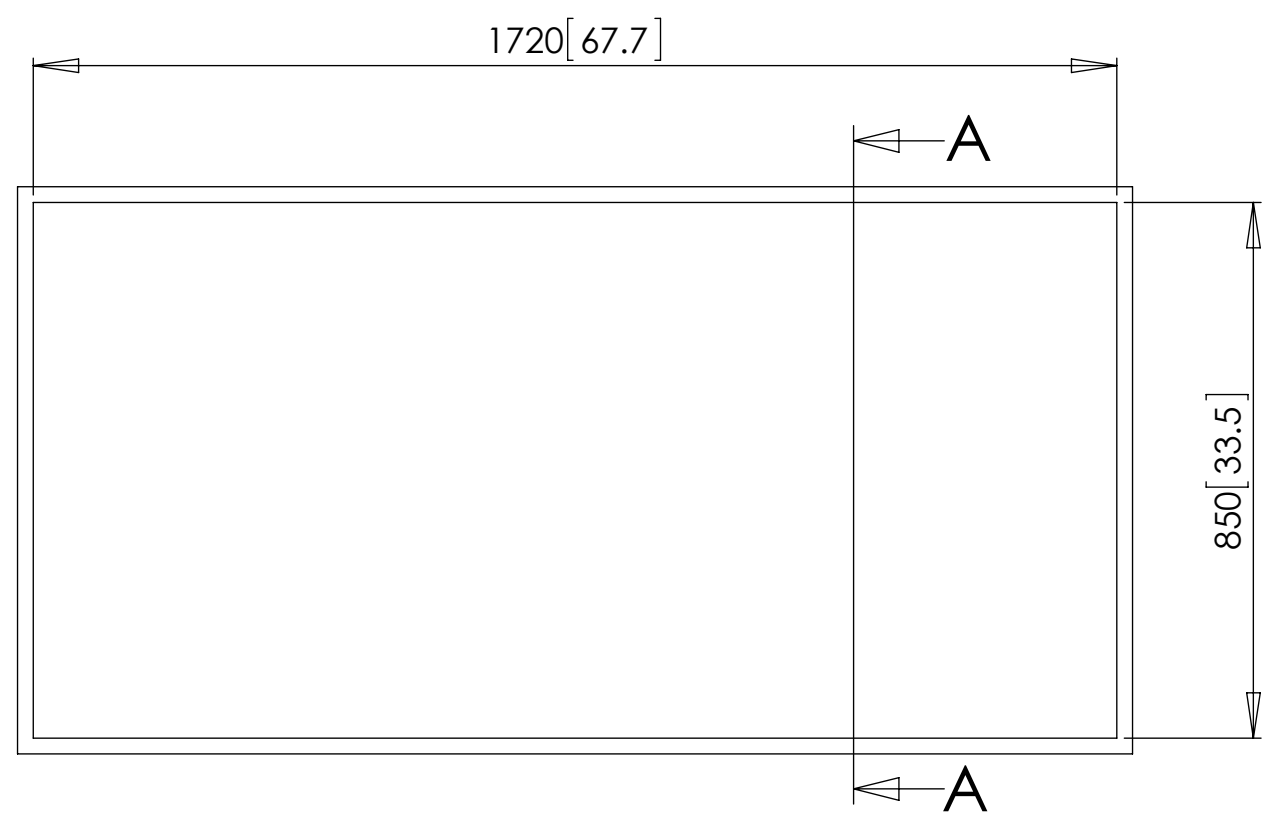
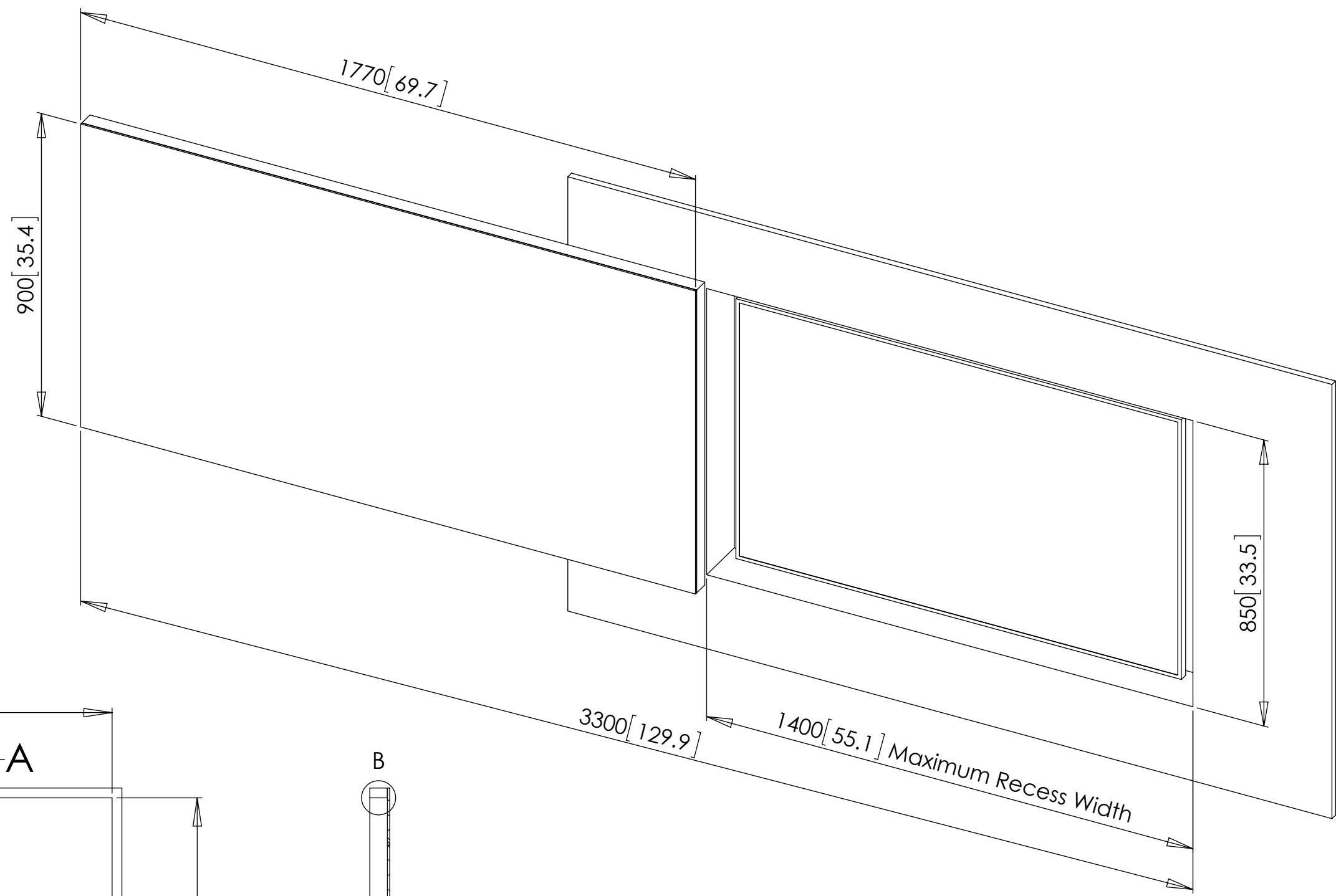
Panel Details

These are suggested dimensions for the panel.

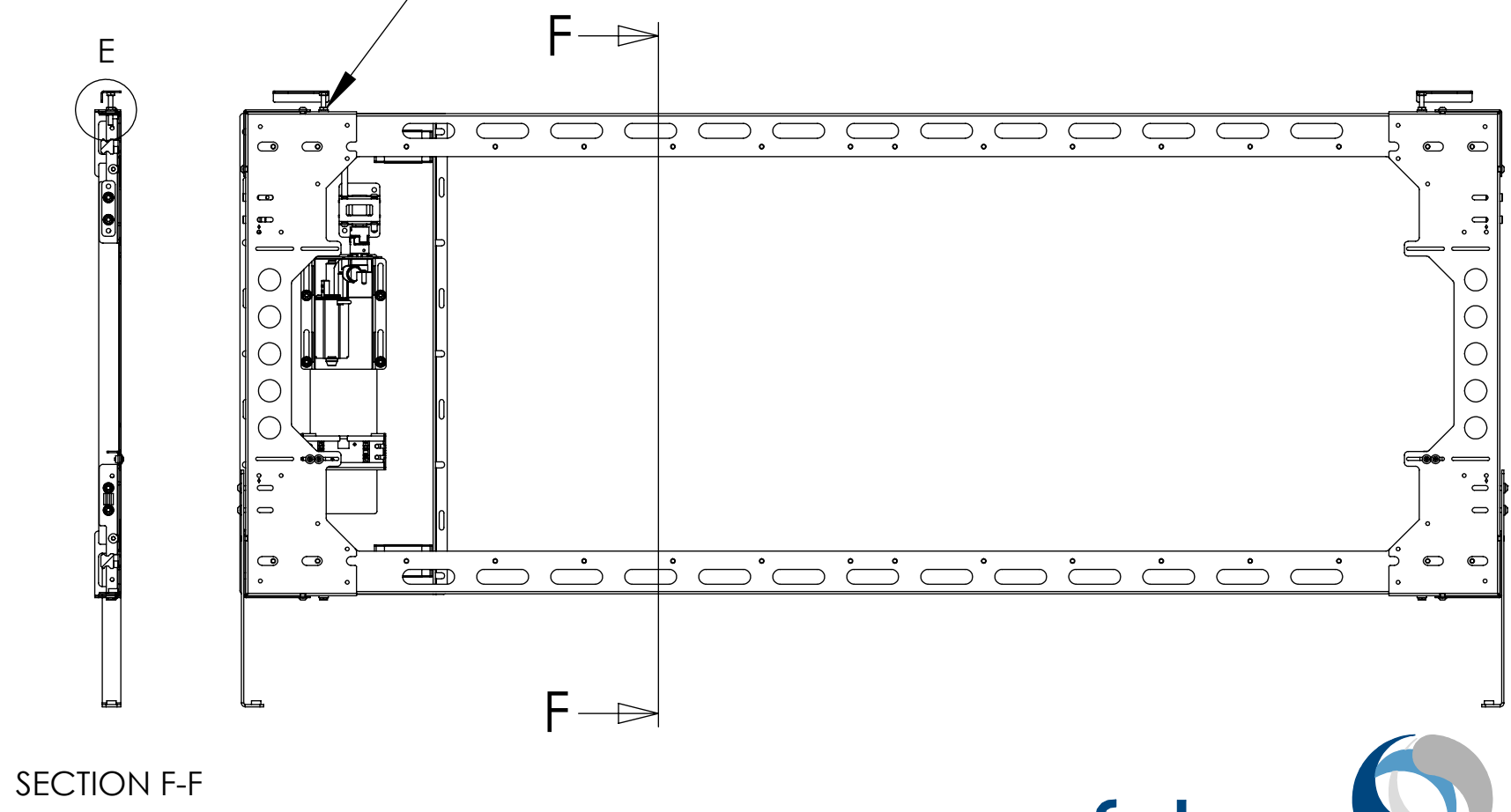
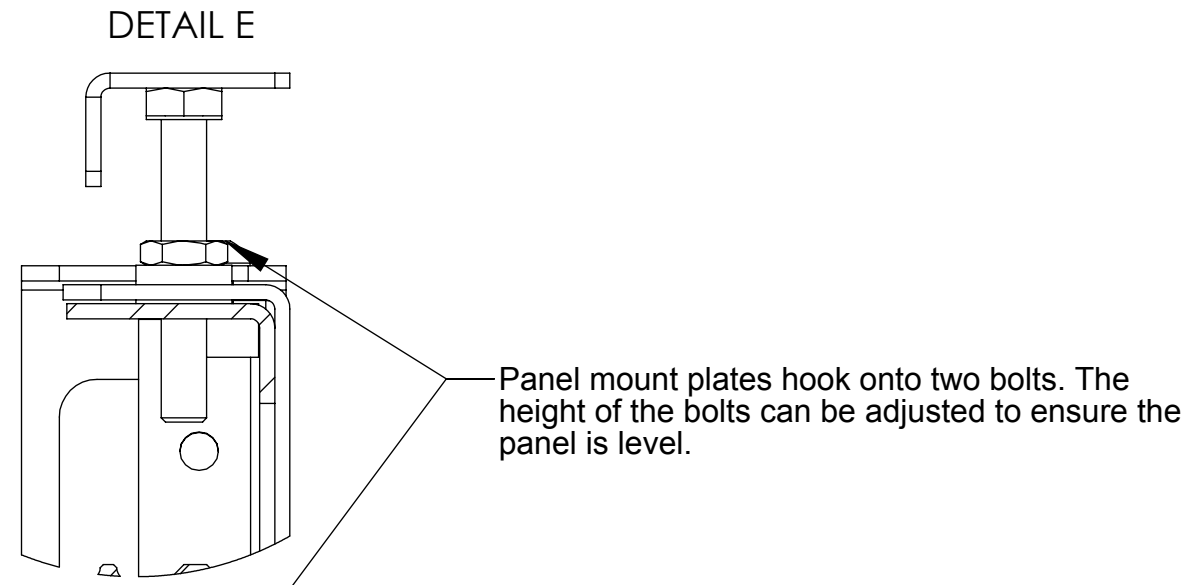
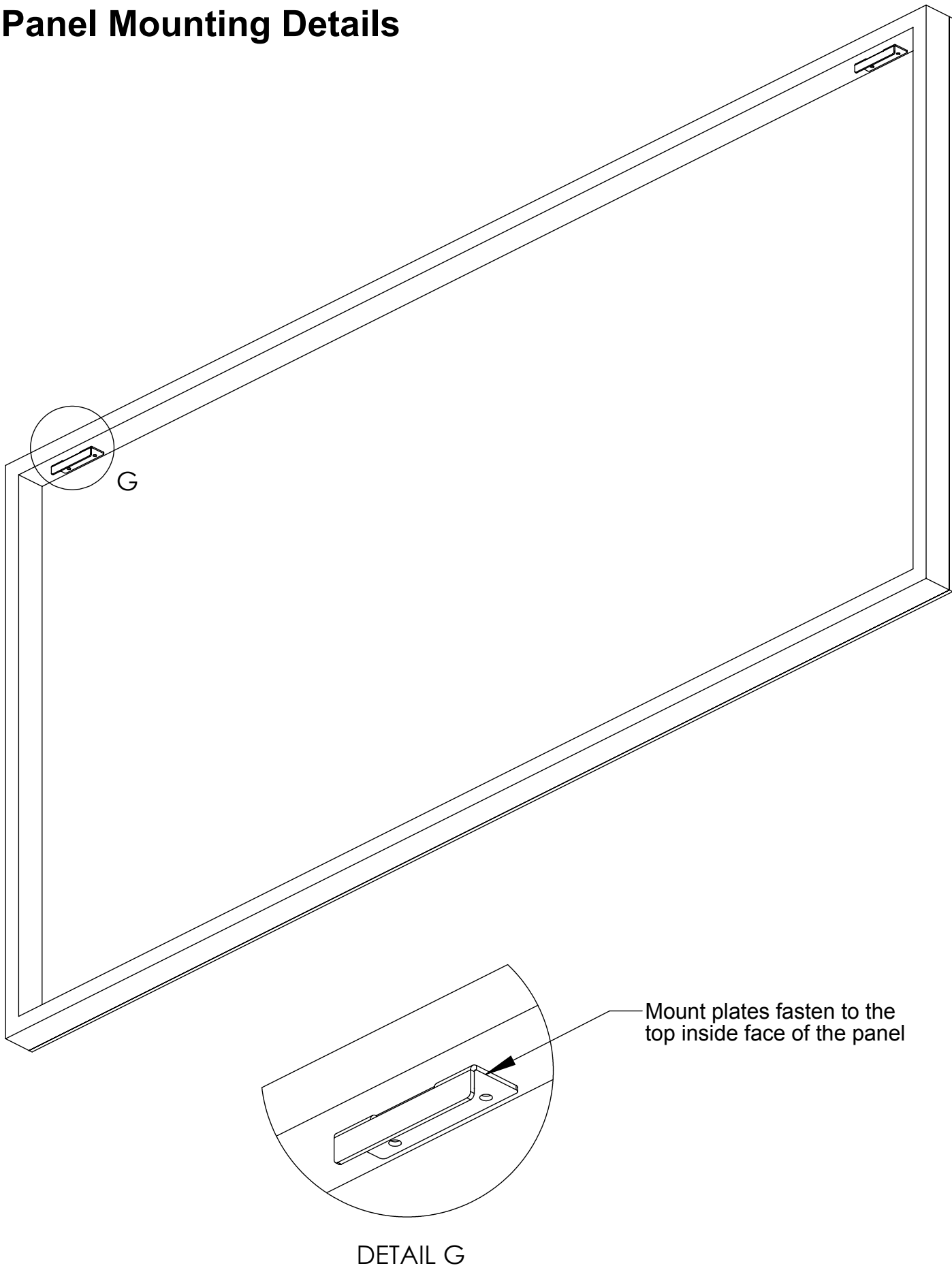
The panel must have an **internal depth of 45mm** to conceal the mechanism; as shown in DETAIL B.



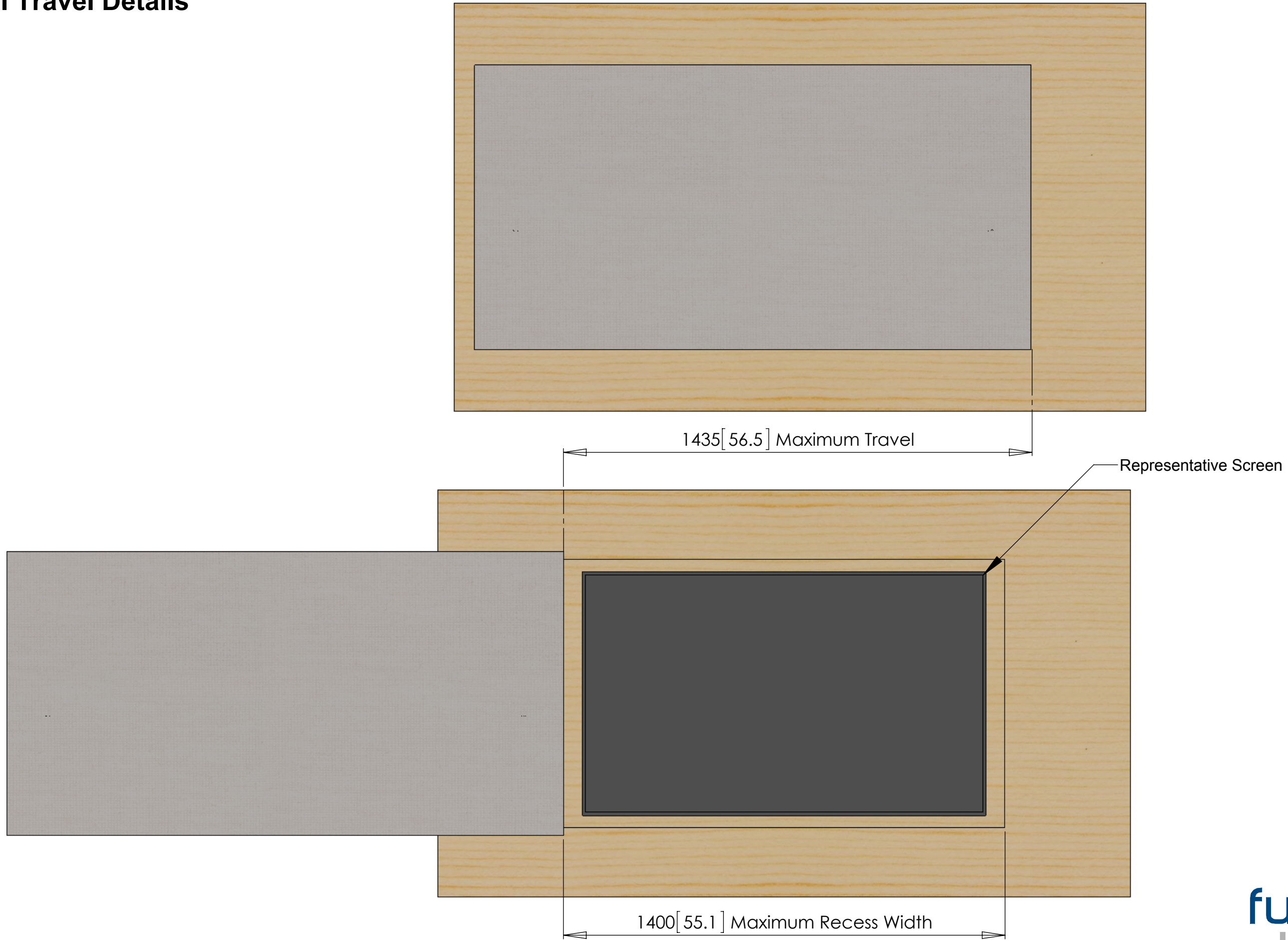
DETAIL B



Panel Mounting Details



Panel Travel Details



Mounting Details

These are suggested dimensions for positioning the mechanisms on the wall. The dimensions are based around the panel size stated on **Page 3**.

