

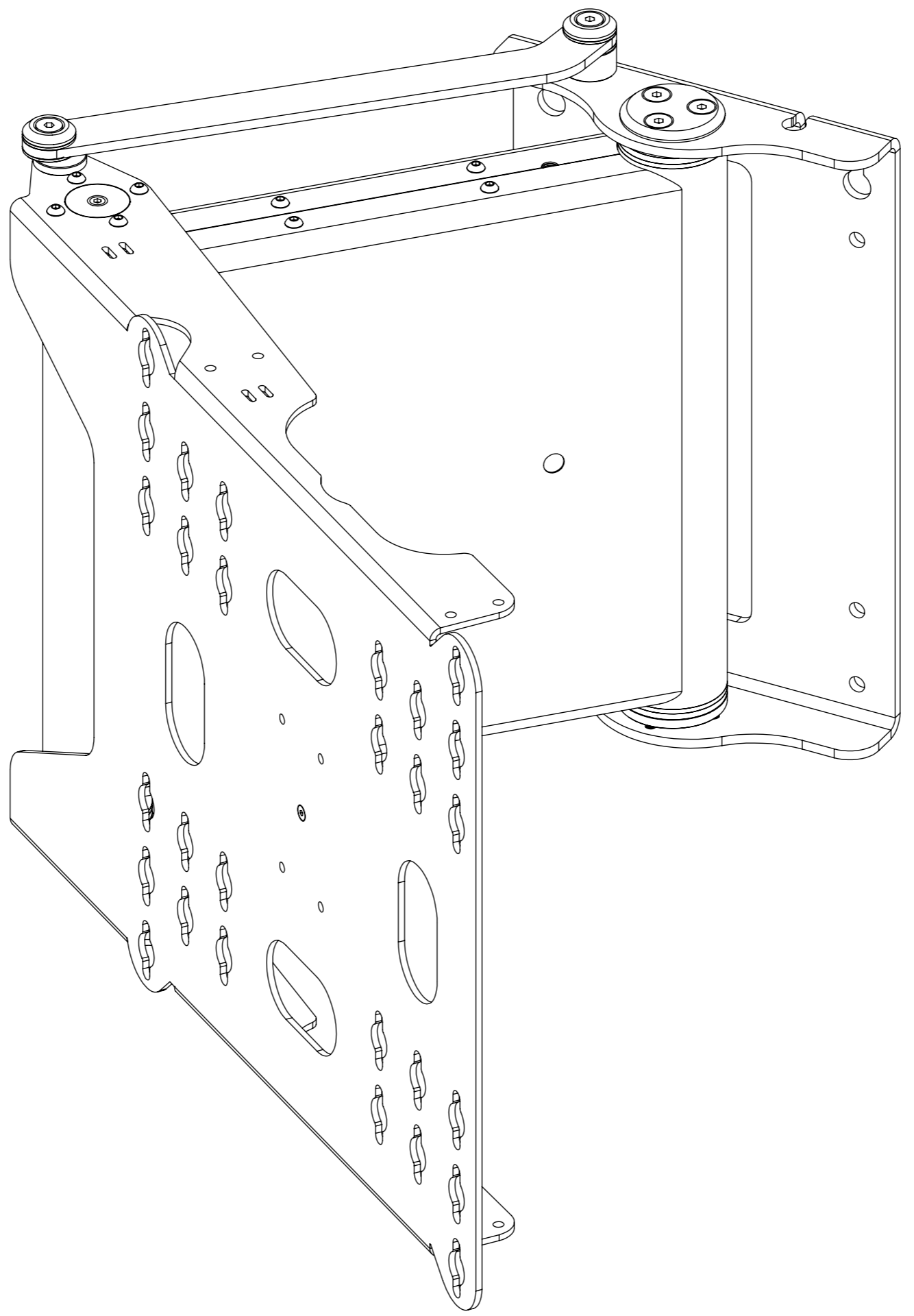


DESIGN HIGHLIGHTS

- Quiet smooth action with variable speed motion
- Full cable management
- Stylish look and finish
- Onboard electronics
- Wide range of mounting options

OPTIONS

- Marine suitable option
- Any RAL colour available
- Bang & Olufsen / Loewe mount option
- B&O Beo5 control option



FUNCTION

An electric wall bracket that can move an LCD or Plasma screen out from the wall to an angle of 90 one way.

Cables for the screen can be routed through the bracket for a very neat look.

SUITABILITY

The PSE90 wall bracket is suitable for screens from 37" up to 65".

The smaller FSE90 bracket is suitable for 15" to 32" screens.

SPECIFYING

Check wall makeup to decide on fixings to be used.

Check screen details for mounting possibilities.

Check angles for viewing.

CONTROL

Supplied with basic infrared remote. Can be learnt by many learning remotes.

Also has switch control and RS232 so can be operated by relays, switches, Crestron / AMX or Lutron systems.

WARNING

It is the responsibility of the installer to warn all potential end users of the dangers of interfering with mechanisms during operation

IMPORTANT

Mechanisms which lift or move weights need to be checked on a yearly basis for any damage which may result in an accident

Design Highlights

Sophisticated electronics allow for a favourite viewing position to be programmed via the IR remote control.

Mechanism allows up to 750mm extension of screen centre from wall.

All the power and signal cables for screen and mechanism can be concealed within the bracket.

Mechanism can be reversed from a left to a right - handed bracket simply and quickly during the installation process. Except B&O 7.40 & 7.55 screen mounts

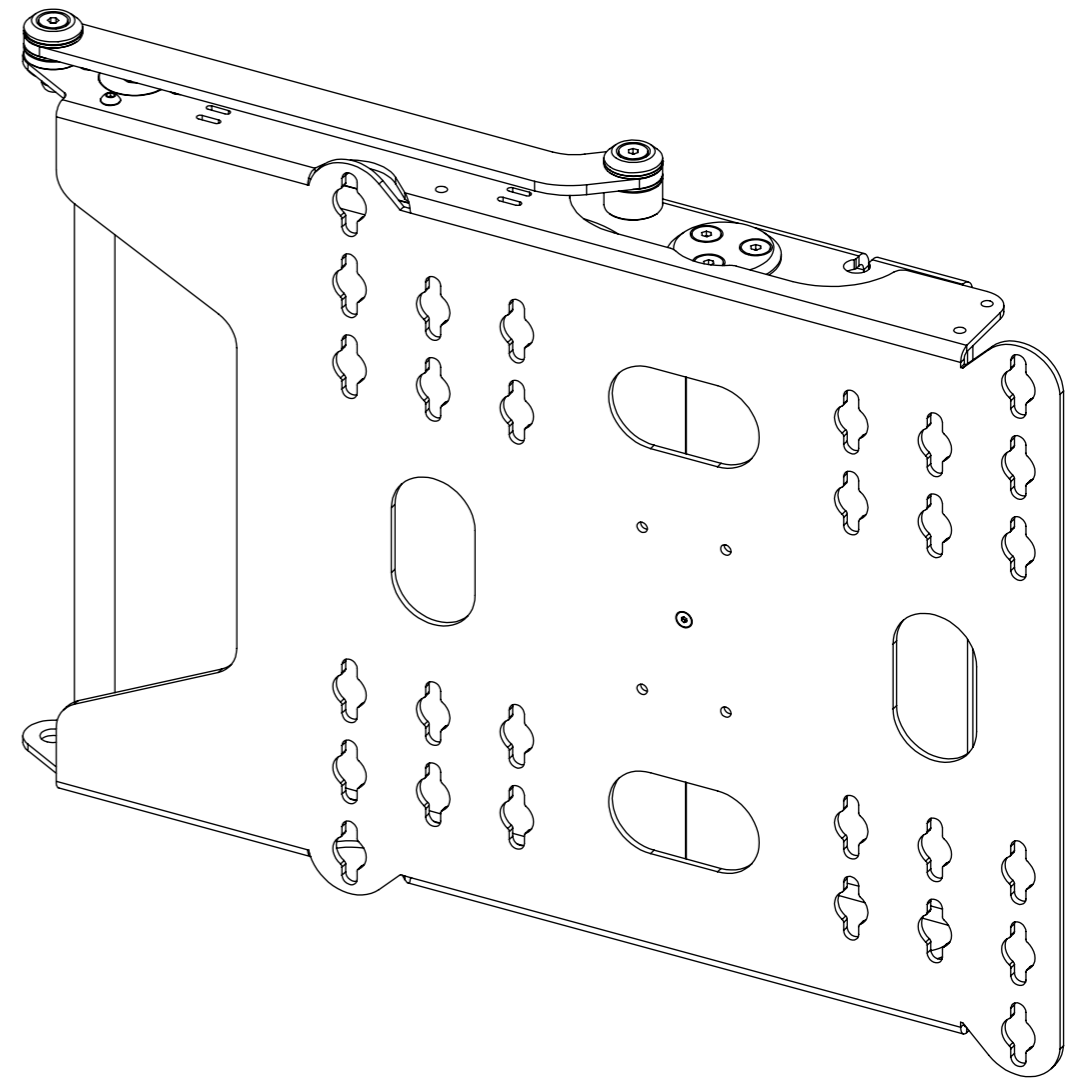
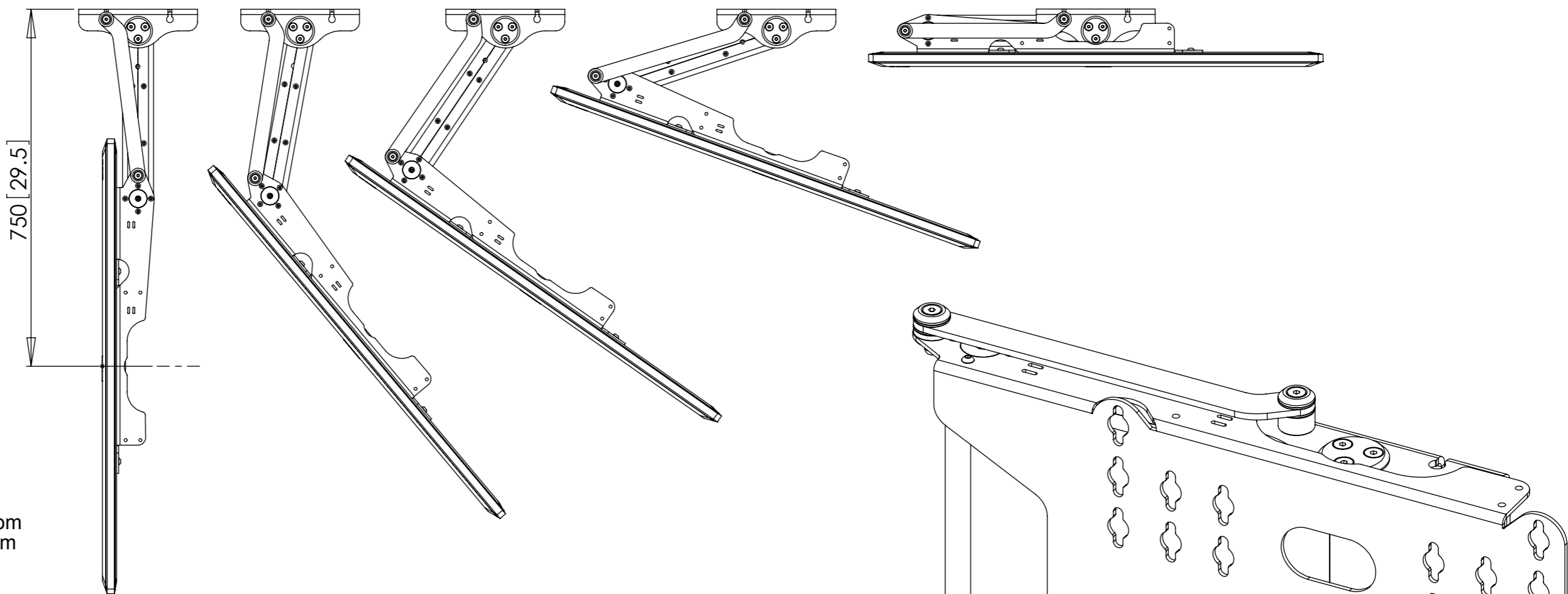
Super quiet and smooth action from parallel to wall out to 90° maximum movement.

Available with Marine Lock to safely lock bracket against wall when not in viewing position.

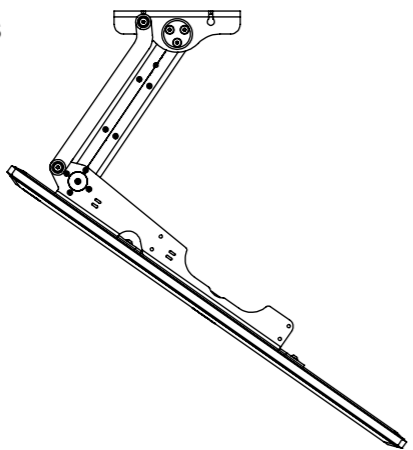
Standard mechanism with VESA 400 mounting is only 90mm deep.

Group A or UNI-60 mount adds 20mm to make the total depth of bracket only 110mm.

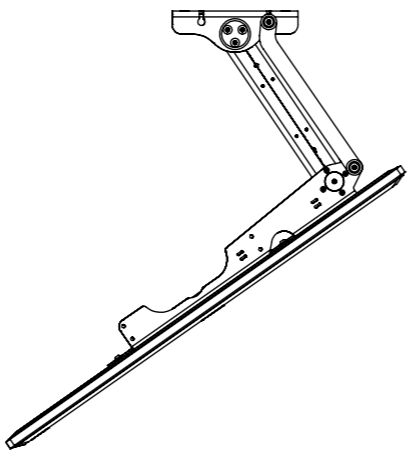
VIEWS BELOW SHOW ACTION FROM IN POSITION TO MAXIMUM OUT AT 90°



When ordering mechanism make sure to specify which direction you require, clockwise or counter-clockwise.

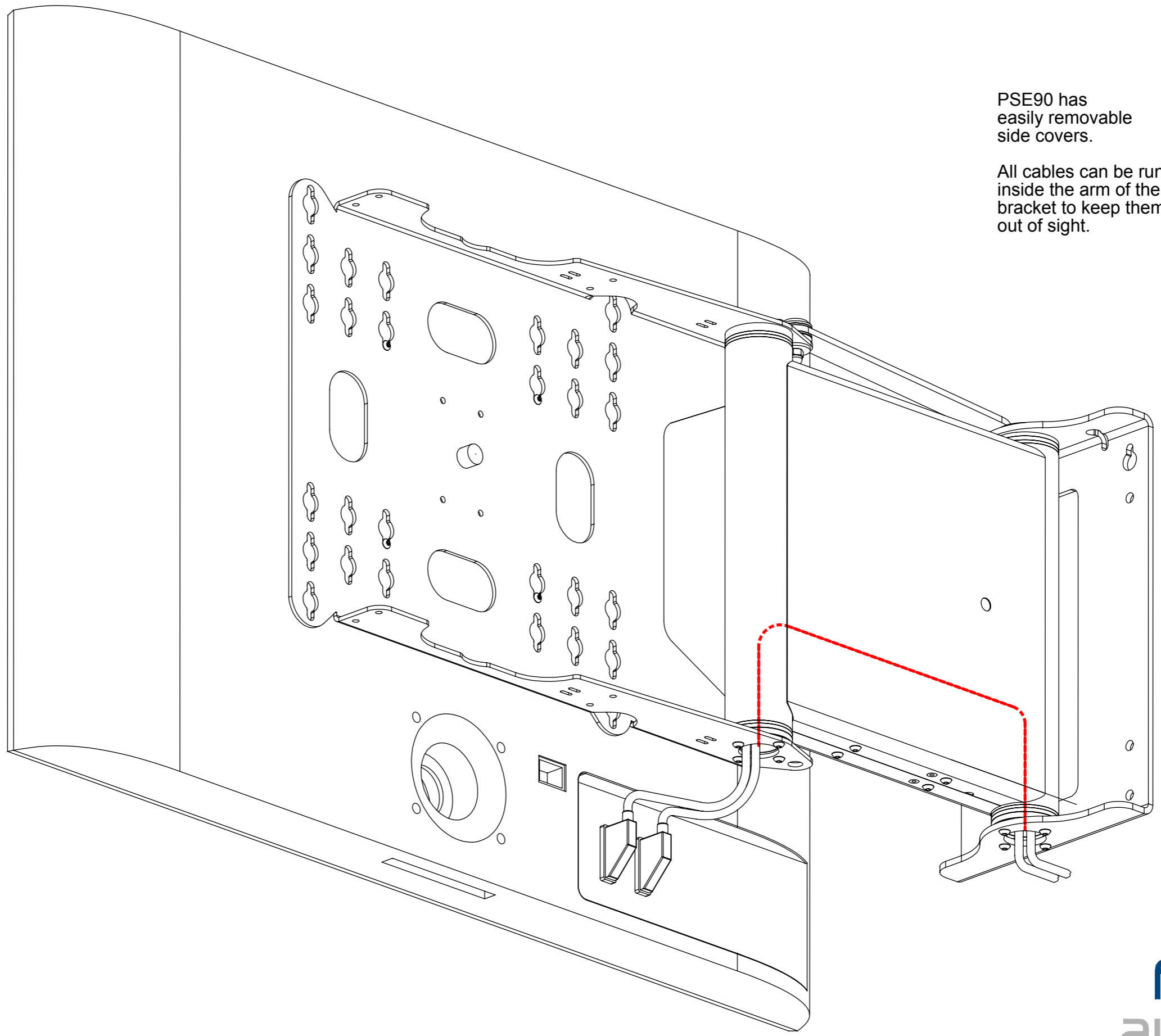


Clockwise



Counter-Clockwise

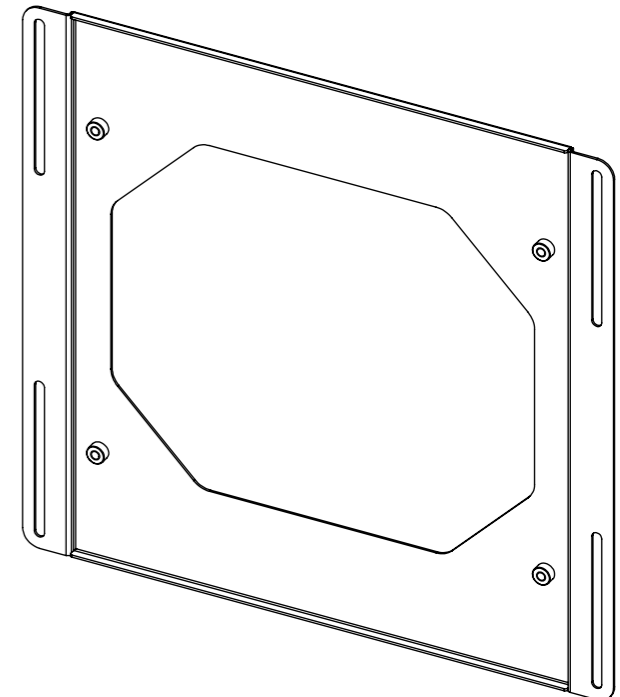
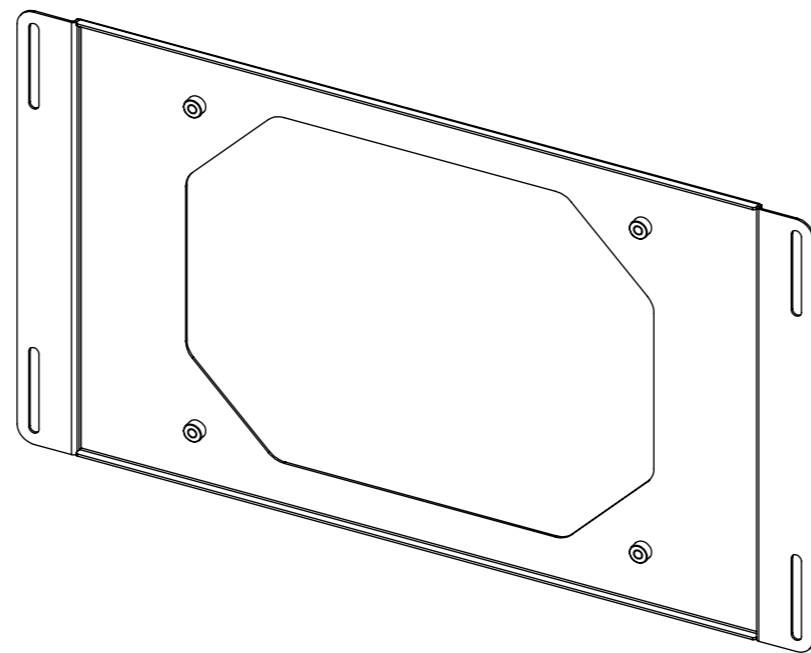
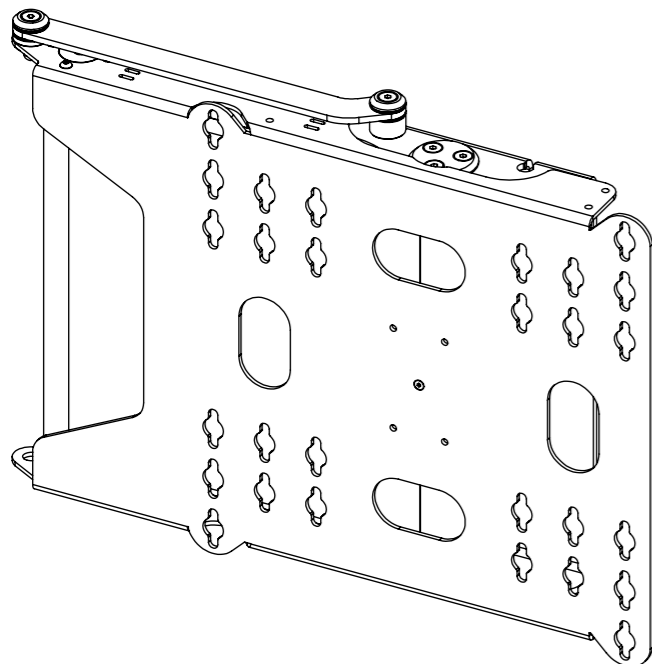
Concealed Cable Options



PSE90 has easily removable side covers.

All cables can be run inside the arm of the bracket to keep them out of sight.

Screen Mounting Options



V400 STANDARD

Standard PSE90 mount is a VESA 400 mount plate.

Compatible with VESA patterns-

- 400 x 400
- 400 x 300
- 400 x 200
- 300 x 300
- 200 x 200

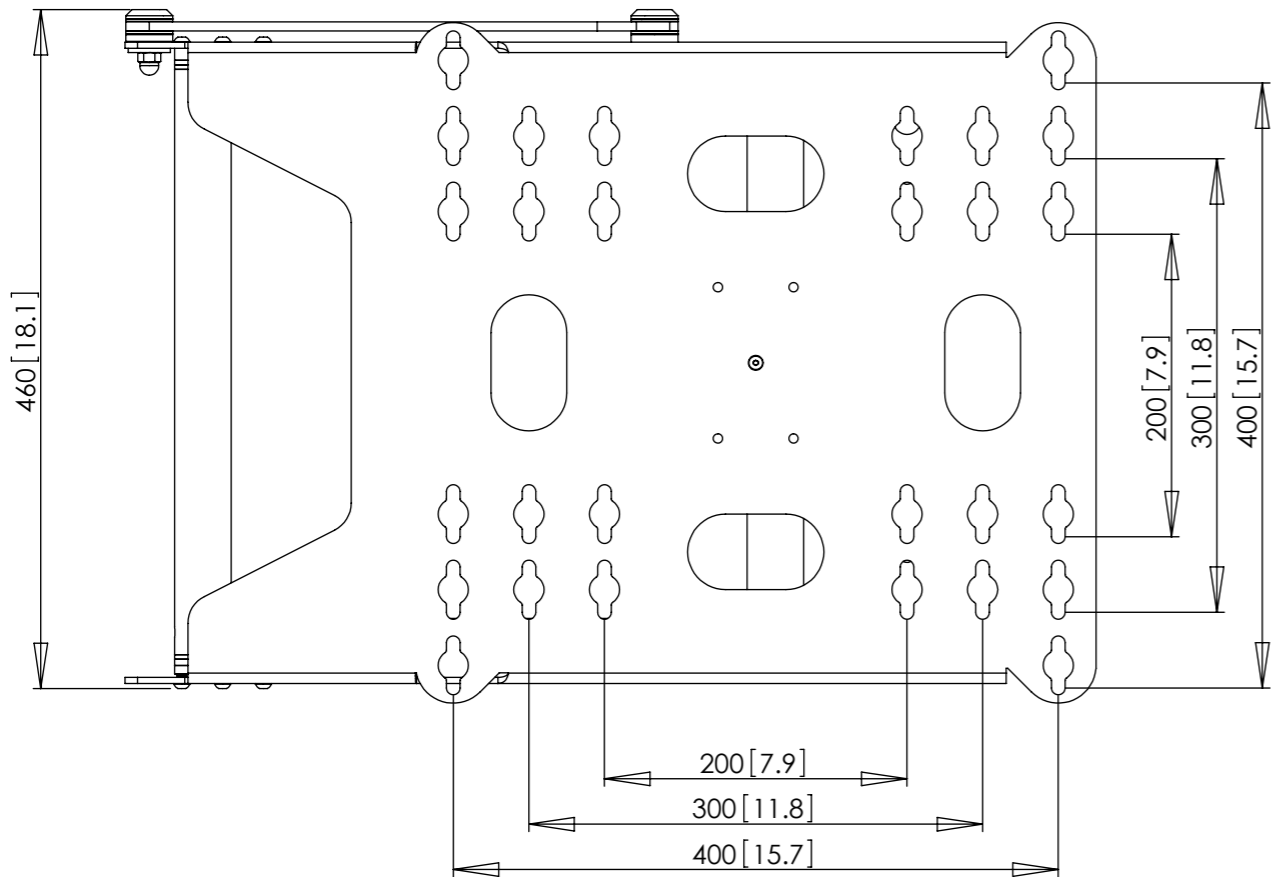
VARIOUS ADAPTER PLATES AVAILABLE

Standard adapter plates available for the PSE90 include the following.

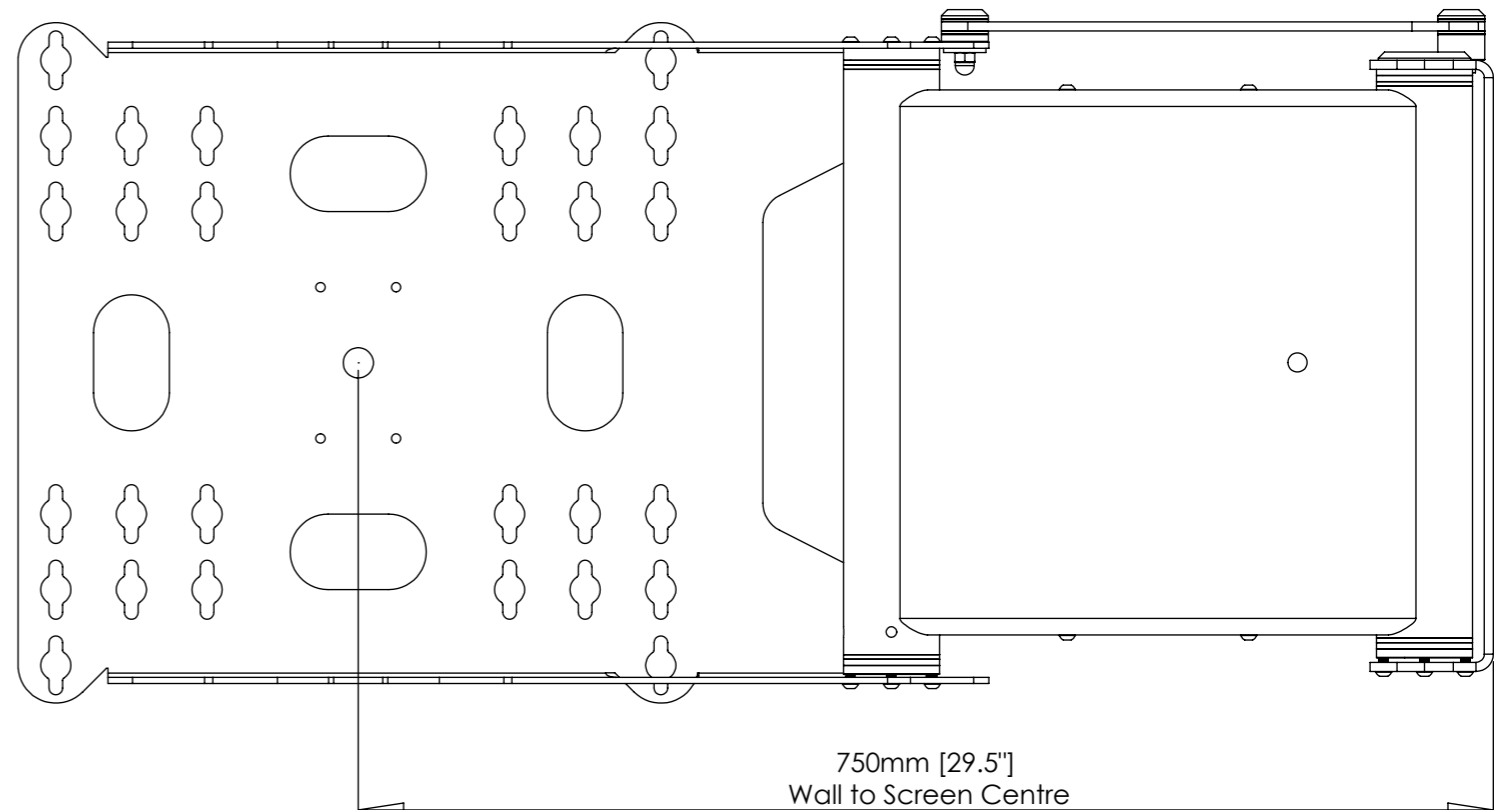
- 684 x 300
- 660 x 320
- 600 x 400
- 500 x 300

V400 Standard - Dimensions

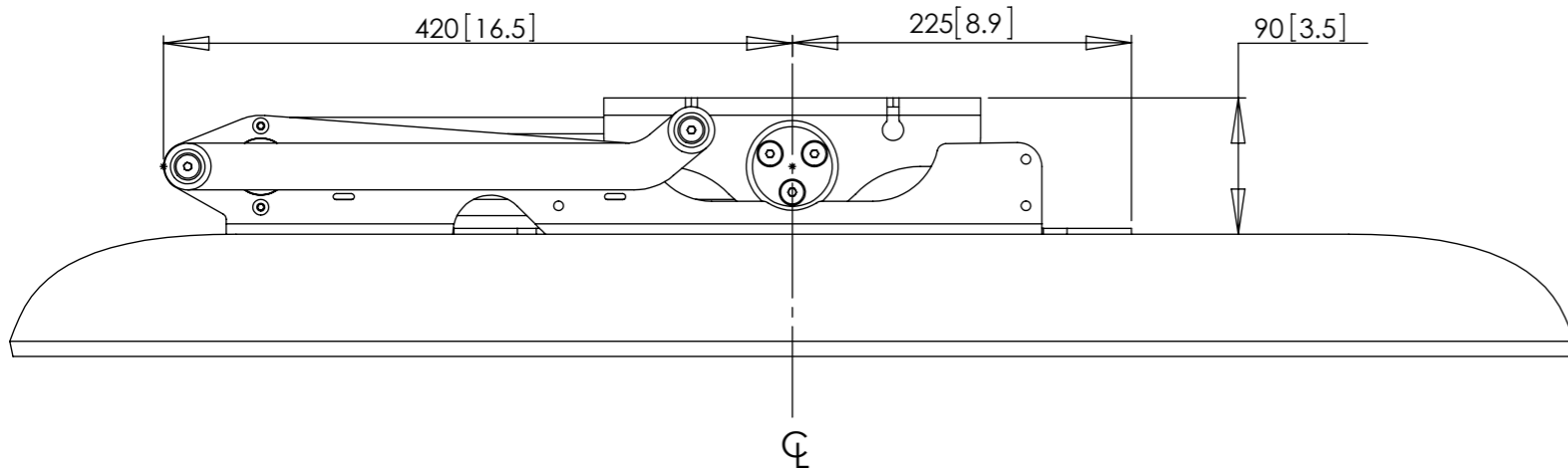
BRACKET DIMENSIONS - FRONT (IN POSITION)



BRACKET DIMENSIONS - SIDE (OUT POSITION)



BRACKET DIMENSIONS - PLAN (IN POSITION)

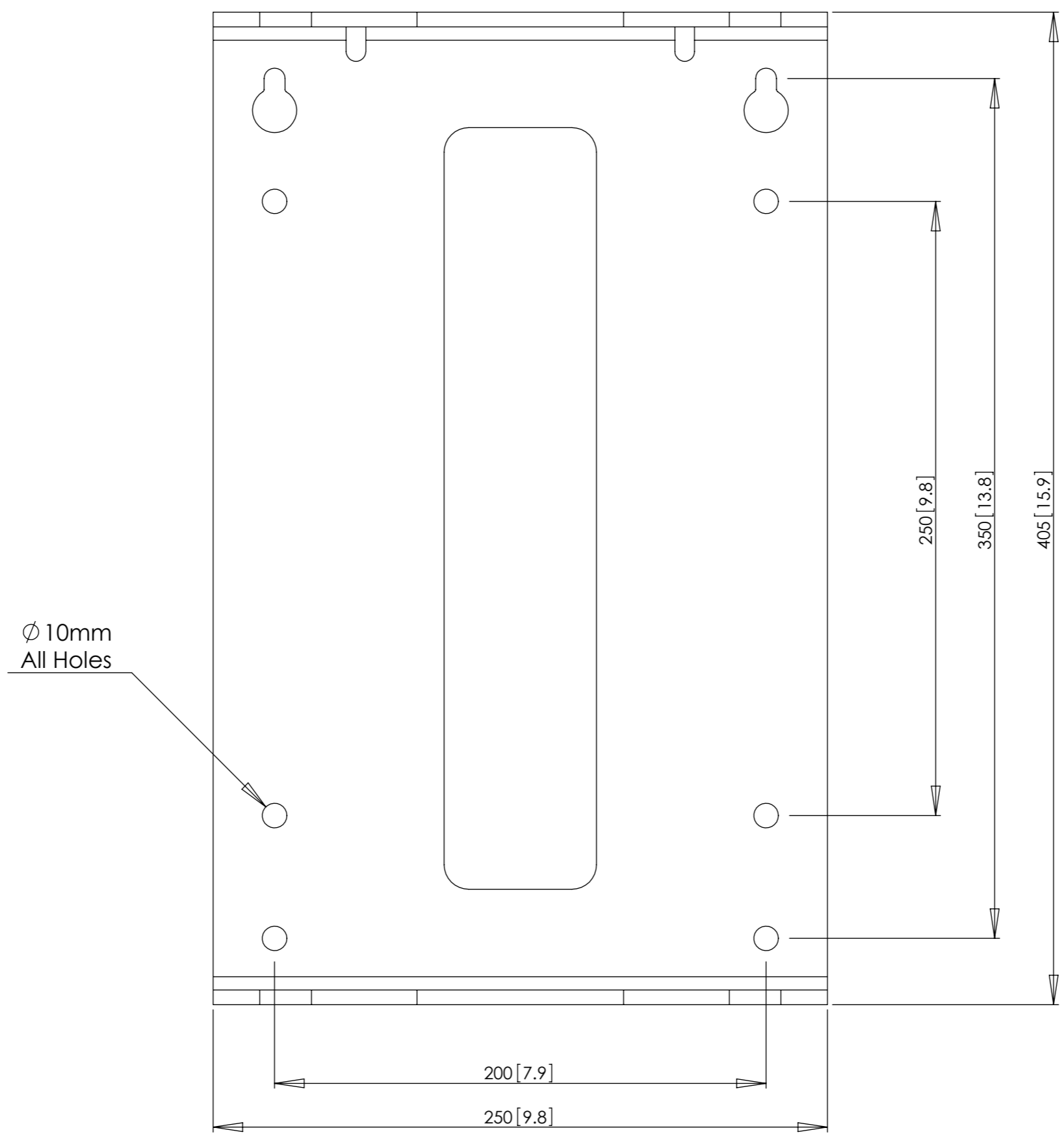


Wall Plate - Dimensions

Dimensions apply for all variants of the PSE90.

NOTE:
Centre line for screen is central to the PSE90 wall plate.

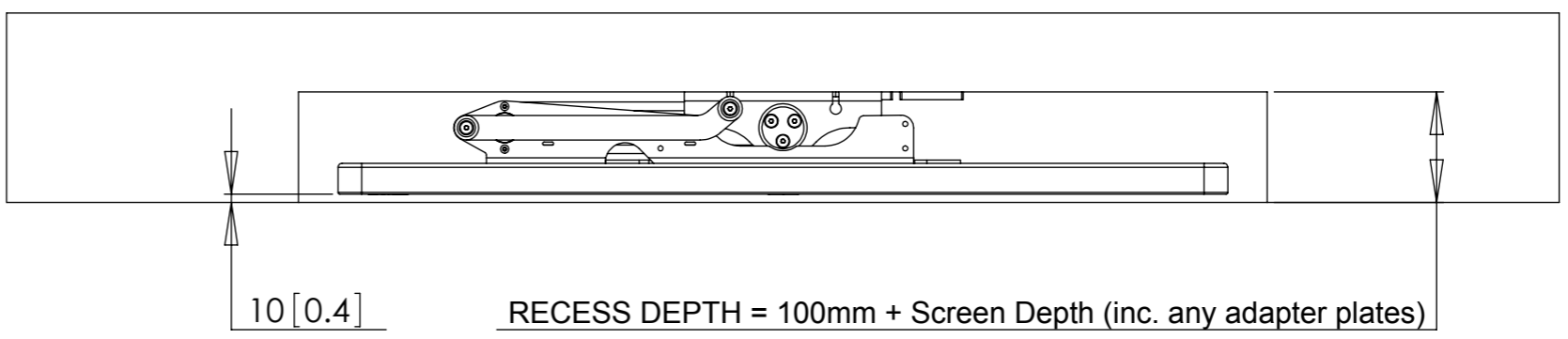
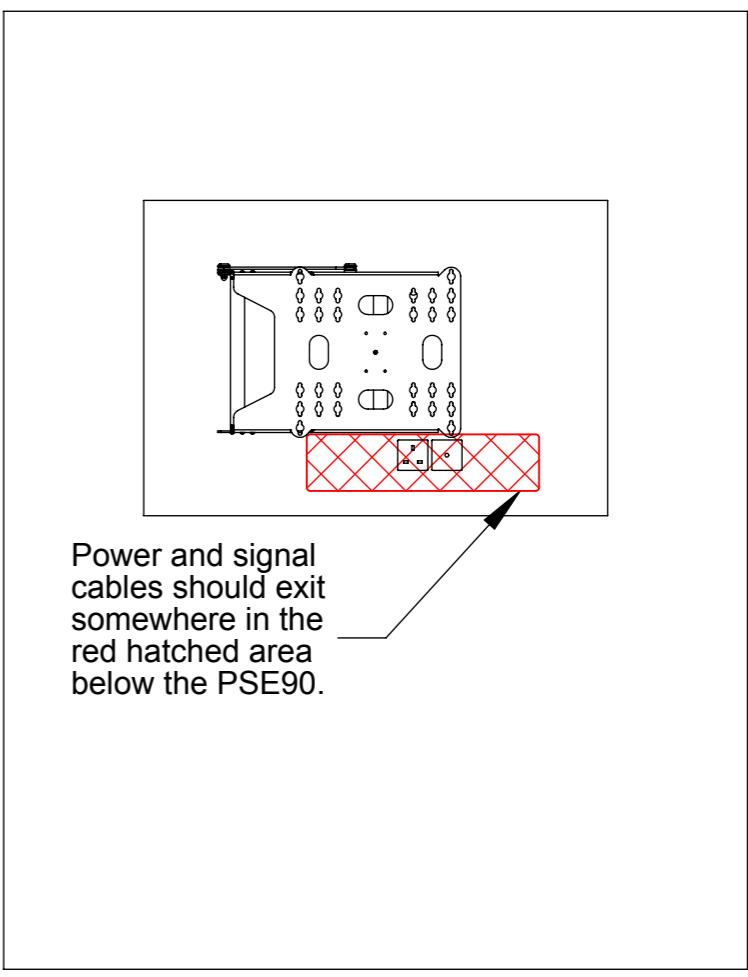
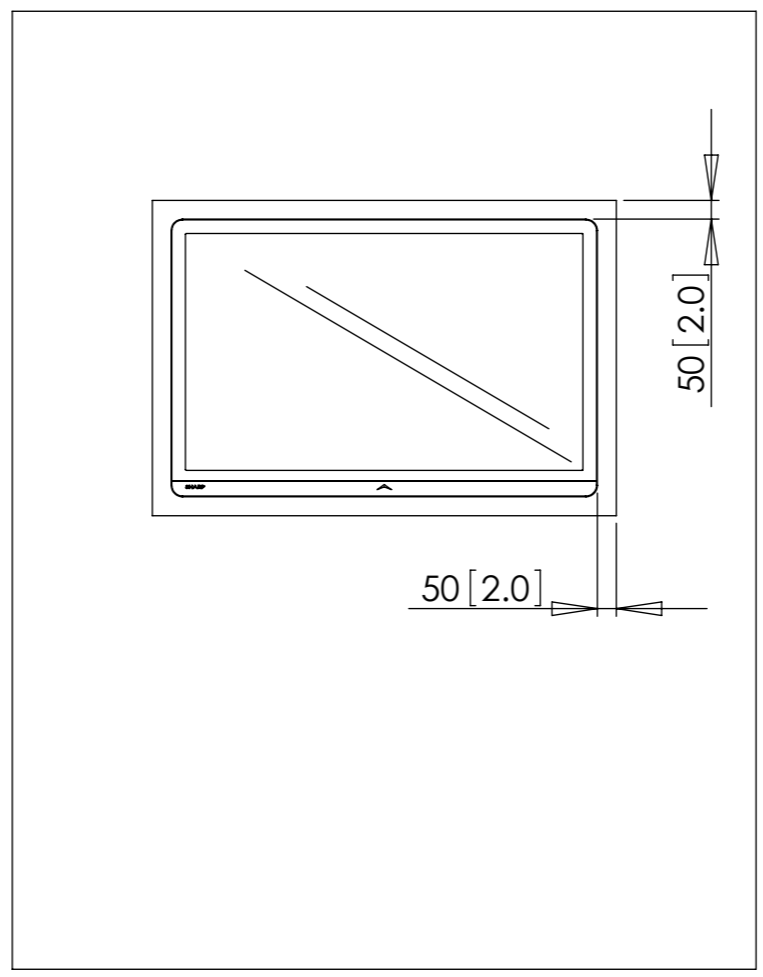
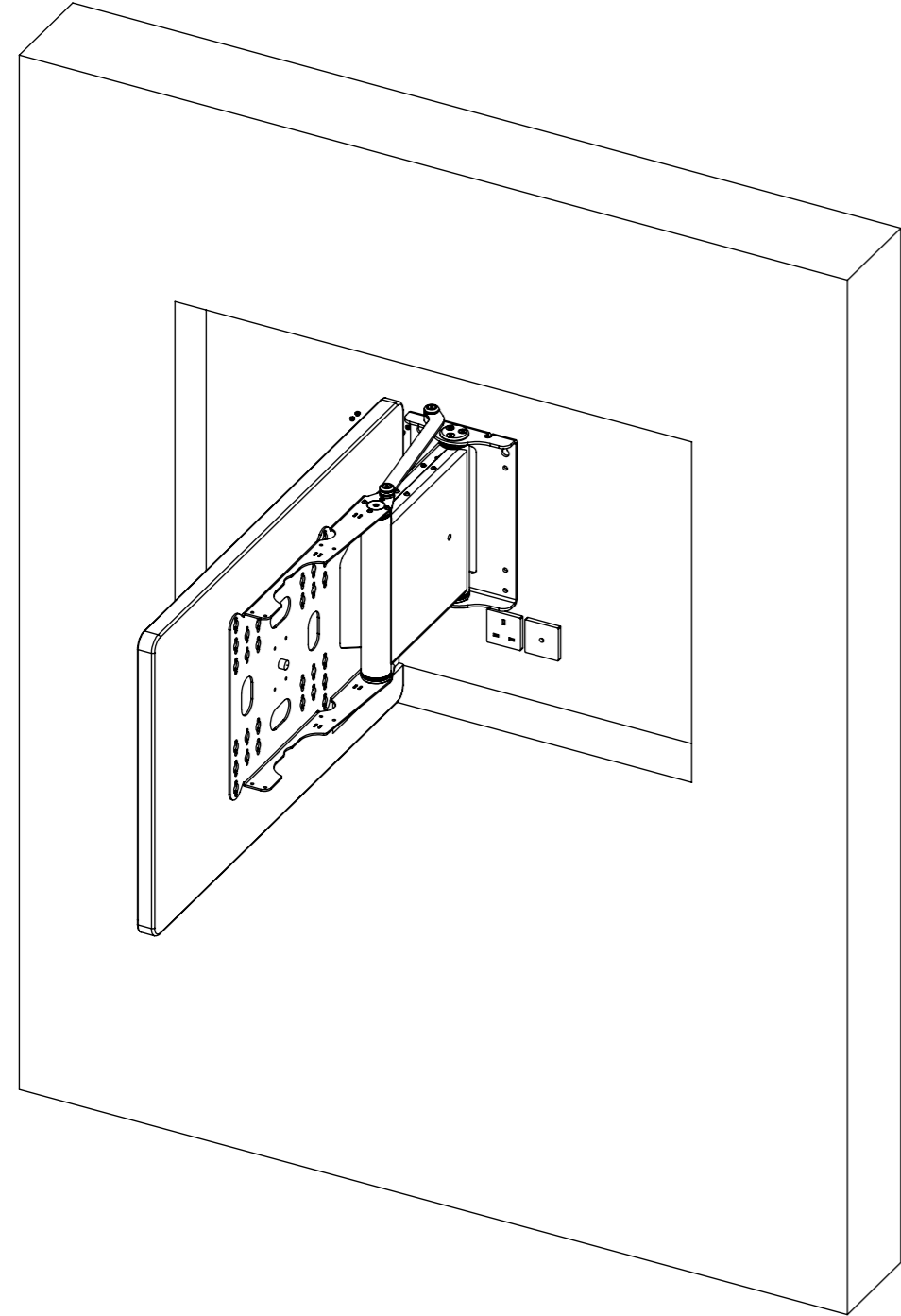
WALL PLATE DIMENSIONS - FRONT



Recess Mounting

A minimum of 50mm [2"] gap should be left all round between the screen and the recess to allow for ventilation.

The gap to the left and right side of the screen can not be reduced. The screen would hit the edge of the recess as it swings out otherwise.



Recess Mounting

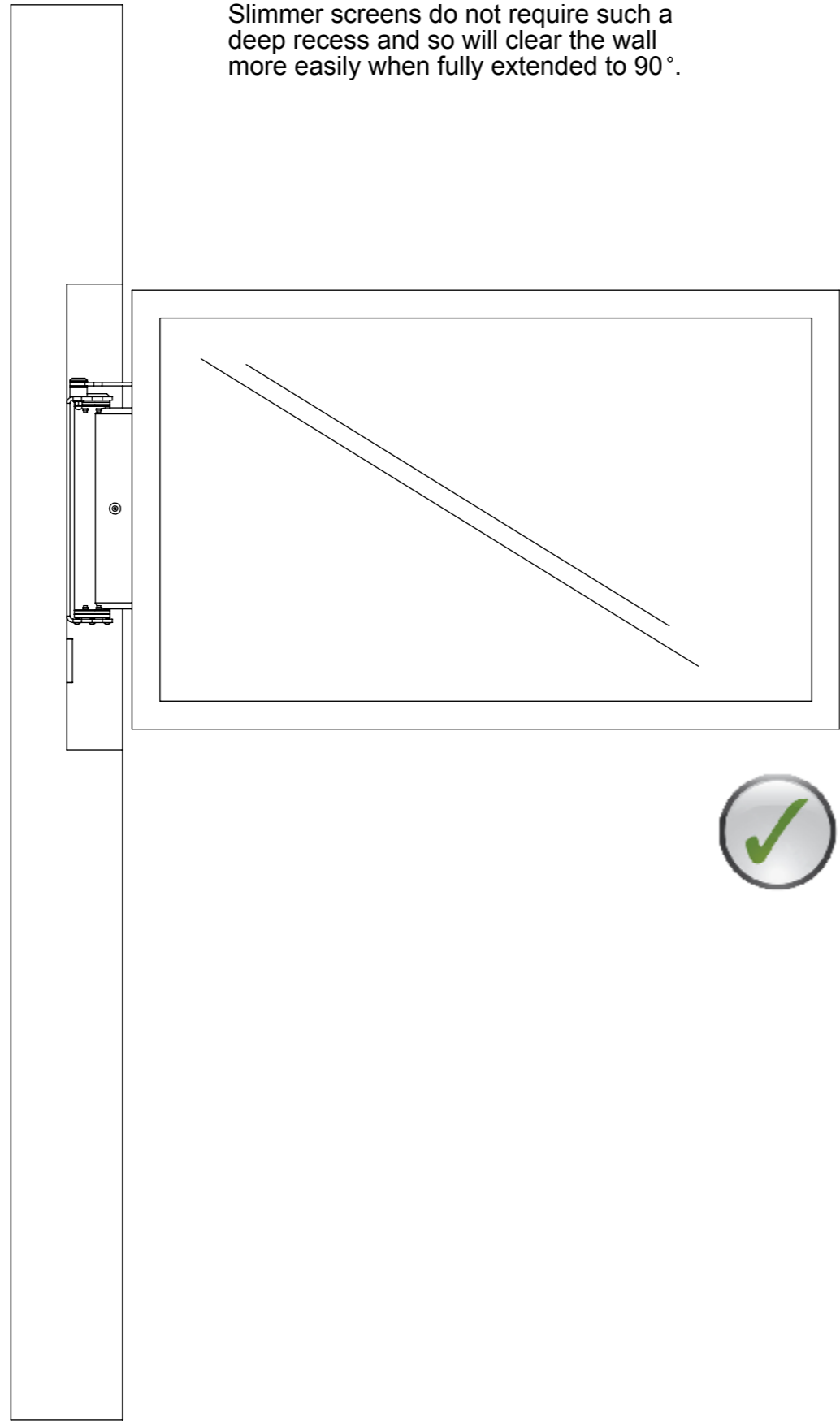
It is important to check the screen dimensions before planning to mount the PSE90 within any kind of recess.

Some screen sizes may simply not be possible to mount in a recess.

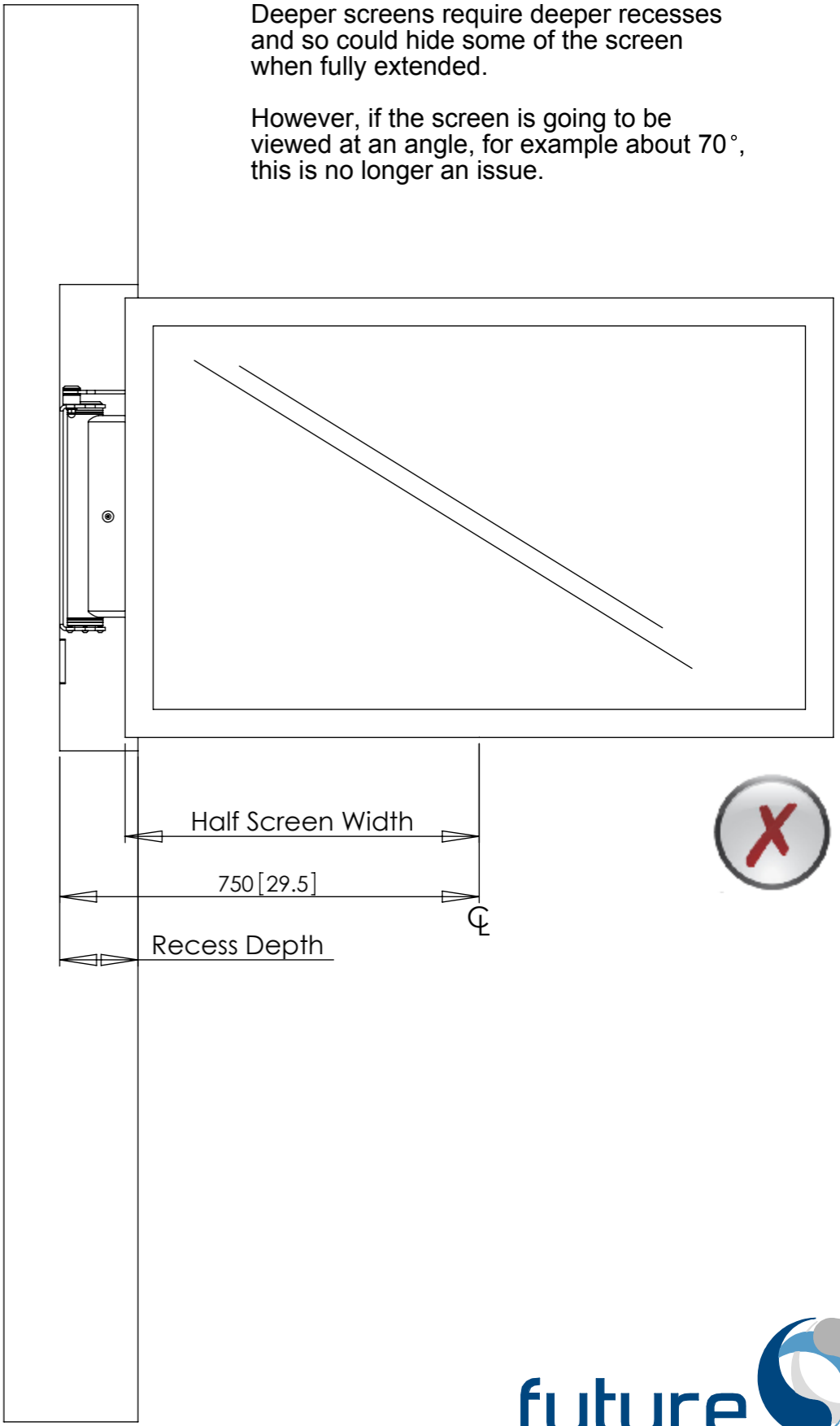
These diagrams show how:



Deeper screens require a deeper wall recess which could obstruct viewing if screen rotated to 90°.



Slimmer screens do not require such a deep recess and so will clear the wall more easily when fully extended to 90°.

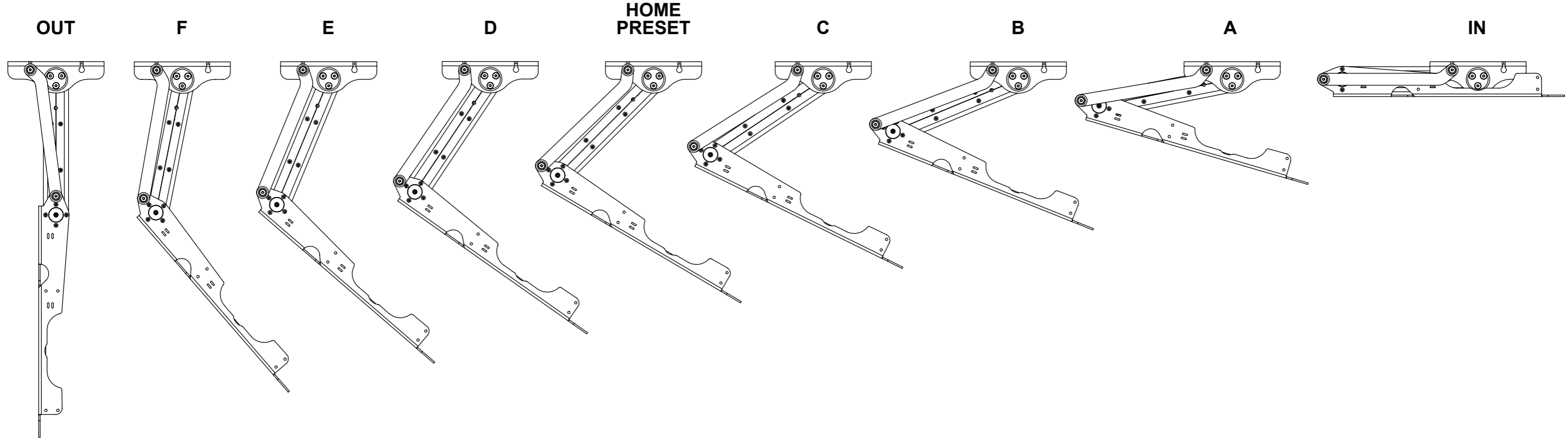


Deeper screens require deeper recesses and so could hide some of the screen when fully extended.

However, if the screen is going to be viewed at an angle, for example about 70°, this is no longer an issue.

Bracket Set Up

BRACKET MOVEMENT AND PRESET OPTIONS



A number of preset positions are set in the mechanism which are shown above with the corresponding letter on the remote control.

These positions can be changed apart from the IN and OUT.

Max Screen Viewing Angles

Below shows the maximum possible screen width with the PSE90 in the 60° and 90° viewing angles.

