

FULL RANGE SOUND OUTPUT

Speaker type
6" dual-concentric speaker

Nominal impedance
8 Ω

Crossover
two way on board

Frequency range
60-20,000 Hz (-6dB)

Sensitivity (1W-1m)
88 dB

Speaker Peak Power
300W

Speaker RMS Power
150W

Recommended amplifier power
200W (Class D)

SPECIFICATIONS

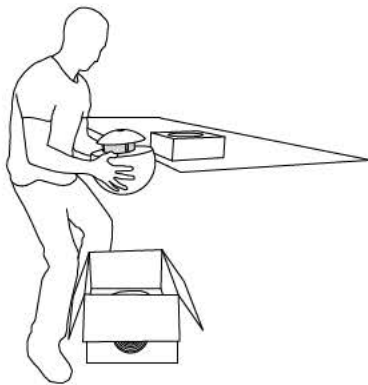
Material
Concrete in three finishings:
Black, gray and white.

Mechanic material
Stainless steel

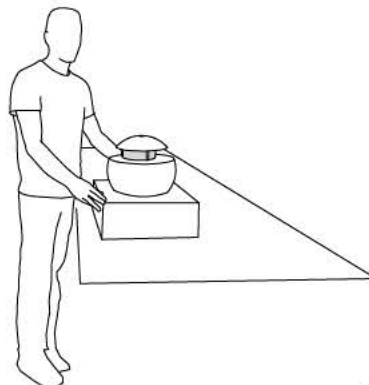
Dimensions
∅ 300

Weight
14 kg
(without hanging system)

Unpacking: to remove the Spherina from the shipping box carefully follow these steps



1.
Gently lift the loudspeaker from the packaging, holding the body and not the deflector.



2.
Lay the loudspeaker over the supporting packaging piece, while checking the hanging system most appropriate for your case.



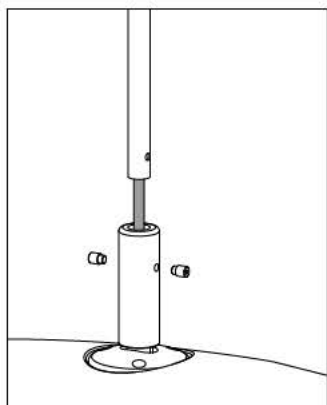
3.
Secure the loudspeaker to the ceiling making sure not to push the deflector but holding its body.



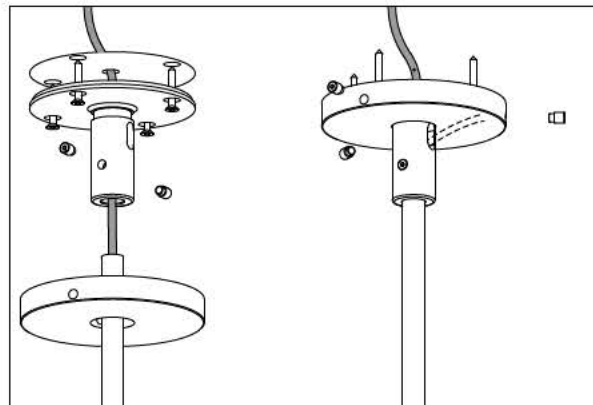
4.
Once the module is safely mounted to the ceiling remove the foam protective spacers.

Installation: The Spherina_Air can be installed with three different kinds of hanging solutions:

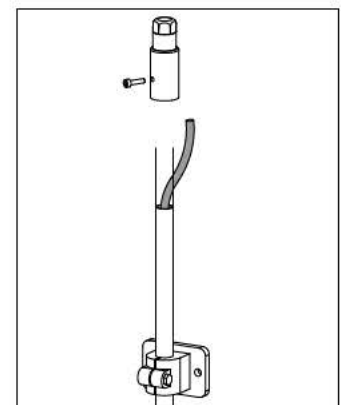
- **Armoured Cable**, suitable for both indoor and outdoor installations.
- **Steel Tube**, suitable for both indoor and outdoor installations.
- **Steel Cables**, particularly suitable for outdoor installations, especially among tree's branches.



Steel Tube > Connection to the body



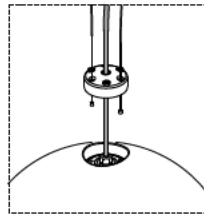
Steel Tube > Connection to the ceiling - Indoor - (VPERG)



Steel Tube > Connection to the wall
Indoor/Outdoor - (FK-12 clamp)

Modules intended to be mounted with steel cable between tree branches are delivered with the mechanic and cables already assembled, ready to be installed. The three divergent steel cables (ideally 120° apart from each other in plan) should be placed far apart as possible and fixed either around a branch or other supports (eyelet/eyebolt anchored to wall/structure) with a loop clamped with proper steel wire clamps.

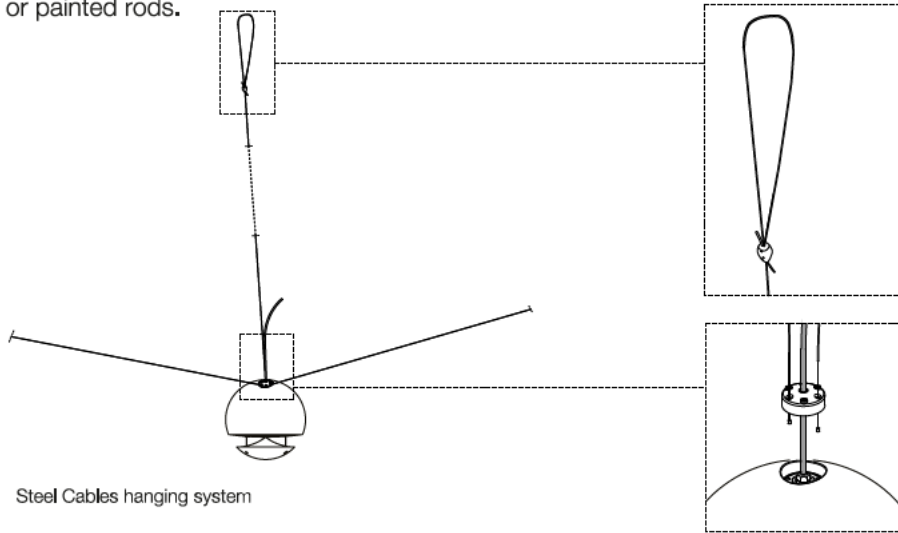
It is recommended to use a soft plastic or rubber sleeve around the steel wire where it comes into contact with fragile surfaces such as the branches of a tree or painted rods.



Armoured cable

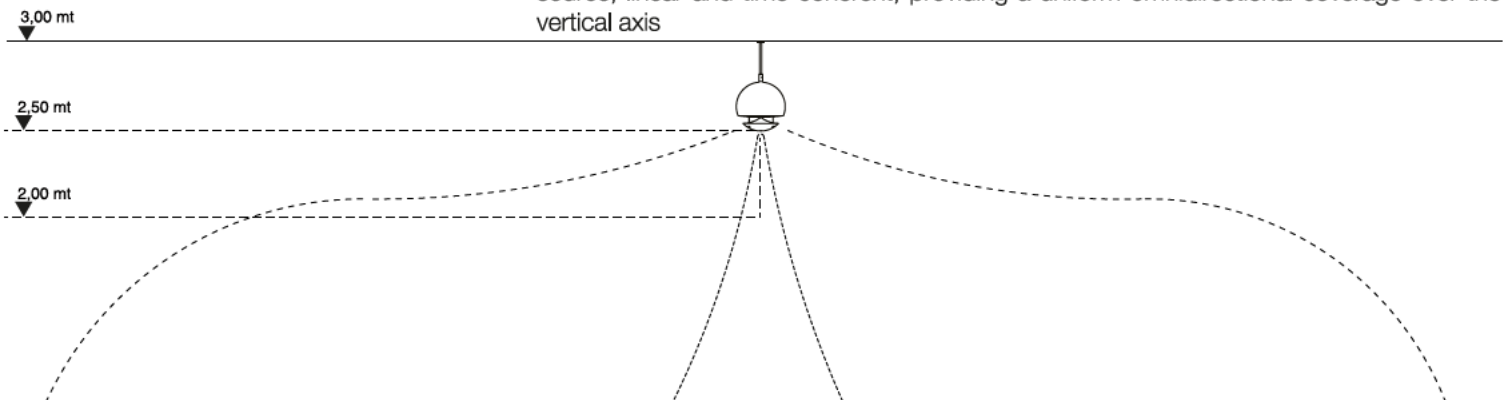
Modules intended to be mounted with steel cable between tree branches are delivered with the mechanic and cables already assembled, ready to be installed. The three divergent steel cables (ideally 120° apart from each other in plan) should be placed far apart as possible and fixed either around a branch or other supports (eyelet/eyebolt anchored to wall/structure) with a loop clamped with proper steel wire clamps.

It is recommended to use a soft plastic or rubber sleeve around the steel wire where it comes into contact with fragile surfaces such as the branches of a tree or painted rods.



Steel Cables hanging system

Diffusion and directionality: the Spherina_Air is an omnidirectional directional loudspeaker characterized by a dual concentric 6" transducer, with coaxial mid-woofer and tweeter to create a virtual point source, linear and time coherent, providing a uniform omnidirectional coverage over the vertical axis



Maintenance and care: to keep your speakers beautiful as long as possible, we warmly recommend doing maintenance at least once a year. When not in use, sound modules should be appropriately covered or stored away; heavy duty protective covers are available from AS. Please refer to the General Manual for appropriate instructions and note that any departure from our recommendations on care and cleaning, or any evidence of misuse or damages from ordinary wear and tear, will void all warranty claims.