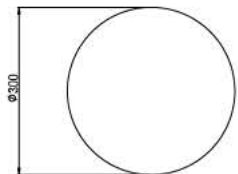
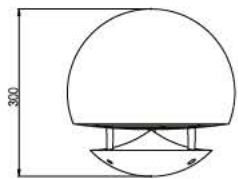


SPHERINA_FLOOR



FULL RANGE SOUND OUTPUT

Speaker type
6" dual-concentric speaker

Nominal impedance
8 Ω

Crossover
two way on board

Frequency range
60-20,000 Hz (-6dB)

Sensitivity (1W-1m)
89 dB

Speaker Peak Power
300W

Speaker RMS Power
150W

Recommended amplifier power
200W (Class D)

SPECIFICATIONS

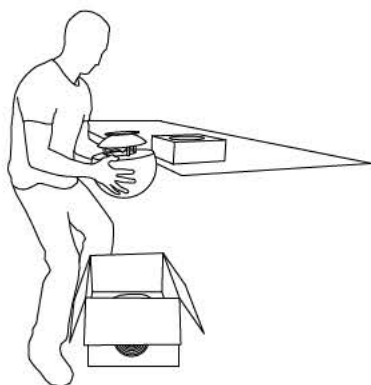
Material
Concrete in three finishes:
Black, gray and white.

Mechanic material
stainless steel

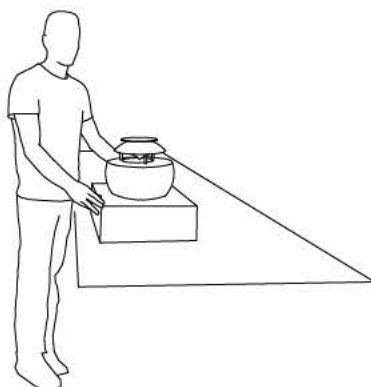
Dimensions
∅ 300

Weight
14 kg
(without support system)

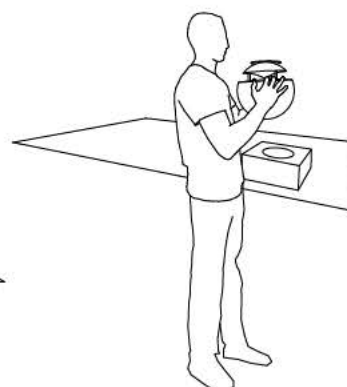
Unpacking: to remove the Sphere from the shipping box carefully follow these steps



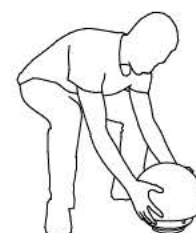
1.
Gently lift the loudspeaker from the packaging, holding the body and not the deflector.



2.
Lay the loudspeaker over the supporting packaging piece.



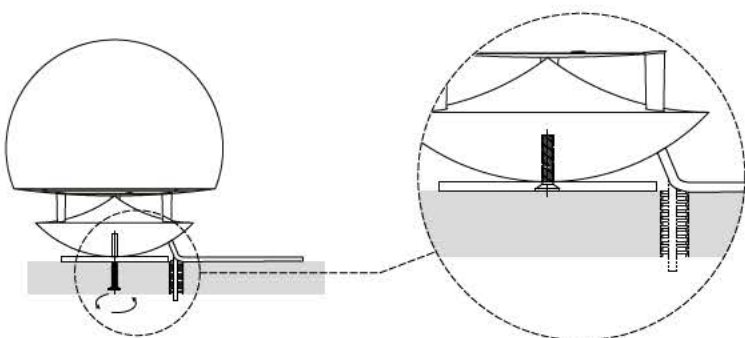
3.
Holding the loudspeaker from the body lift it and gently turn it upside-down.



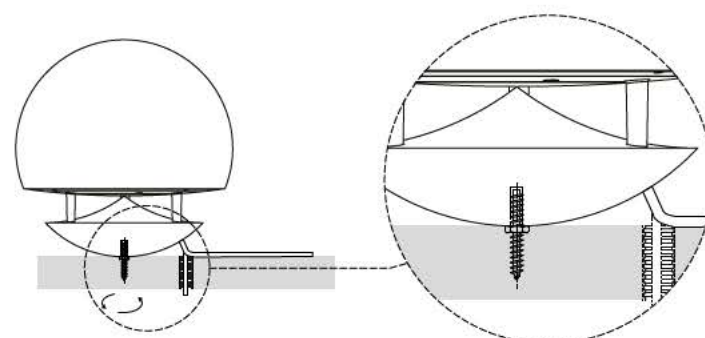
4.
Gently place the loudspeaker into position on the floor laying on the steel plate.

Installation: The Spherina_Floor can be installed on the ground in two different ways:

- **Steel base**, (supplied), particularly suitable for both indoor and outdoor installations.
- **M10 screw**, (supplied), directly anchored on hard floors without any base.



Installation with Steel Plate

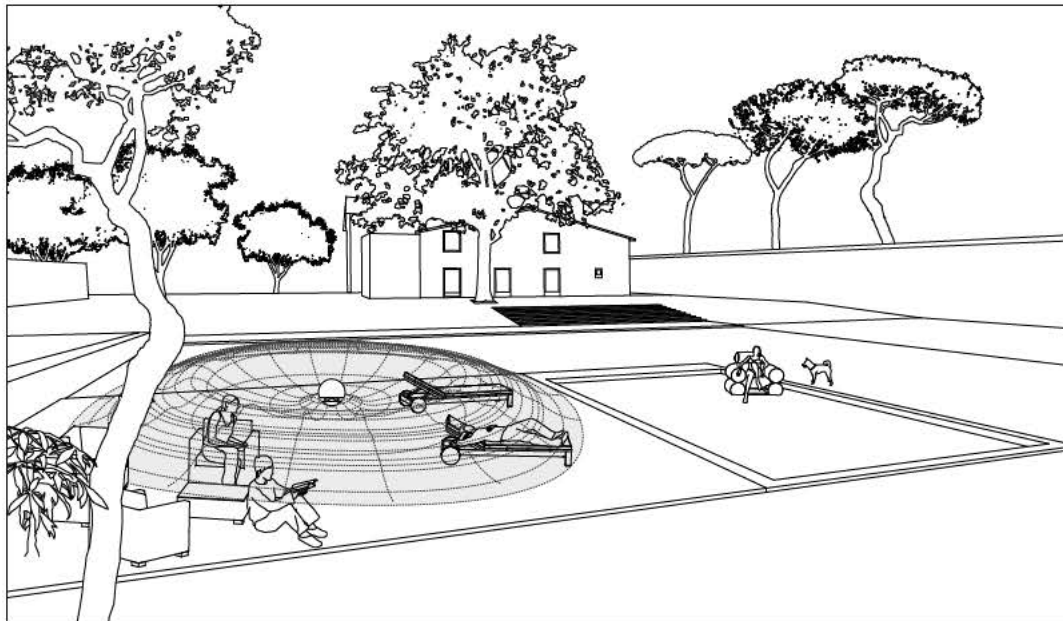


Installation with M10 screw on hard-floors

Diffusion and directionality:

Spherina_Floor is a loudspeaker characterized by a dual-concentric 6" transducer, where the mid-woofer and the tweeter share the same axis, to achieve a virtually punctiform source, linear and time coherent, which, combined with the deflection system, ensures an ideal omnidirectional emission. The result is a very natural sound, not constrained to any fixed and obligated listening positions, with an amazing quality and clarity unusual in outdoor environments.

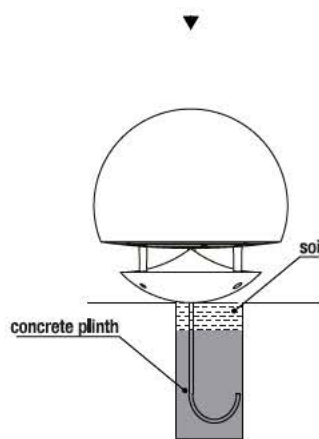
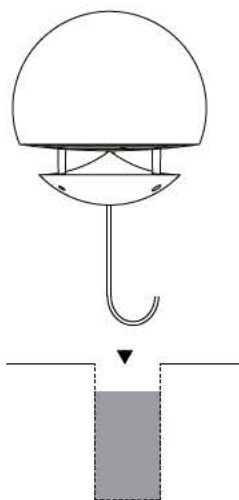
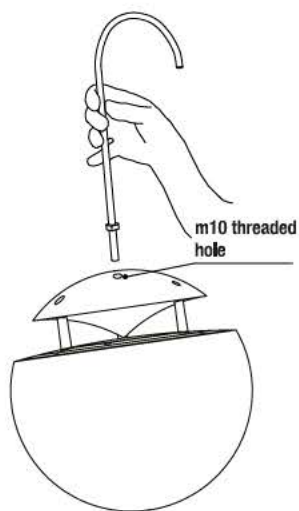
It is recommended to place these loudspeakers, either indoor or outdoor, directly on the floor; indoor it is usually recommendable to position them at least 0,6-1 meter from each wall to enhance soundstage and clarity.



Anti-theft system:

When installing the Spherina_Floor outdoor, especially in public spaces, specifically designed anti-theft systems are available on demand to secure the module to the ground. In the case of outdoor installations on grass or soil proceed as follows:

- Screw the hook into the hole below the base, securing it with the lock-nut.
- Dig one hole, approx. 50 cm deep, and fill it with concrete for approx. 2/3 of its depth.
- Put hook into hole till the base sits properly on the ground.
- Let concrete dry and fill hole with soil.



Maintenance and care:

to keep your speakers beautiful as long as possible, we warmly recommend doing maintenance at least once a year. When not in use, sound modules should be appropriately covered or stored away; heavy duty protective covers are available from AS.

Please refer to the General Manual for appropriate instructions and note that any departure from our recommendations on care and cleaning, or any evidence of misuse or damages from ordinary wear and tear, will void all warranty claims.

